

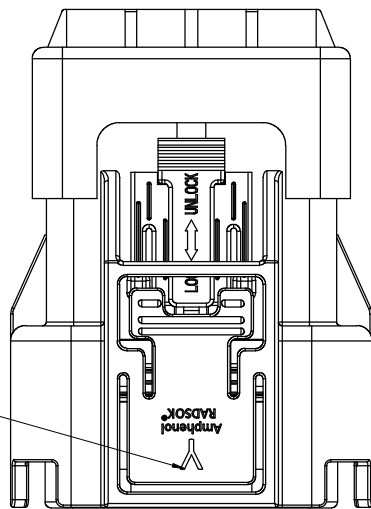
**GENERAL TOLERANCE**

DIM. RANGE	0.5 - 3	>3-6	>6-30	>30-120	>120-400
TOLERANCE	±0.1	±0.1	±0.2	±0.3	±0.5

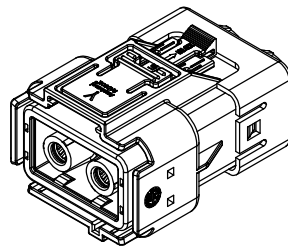
**CUSTOMER DRAWING**

REVISION

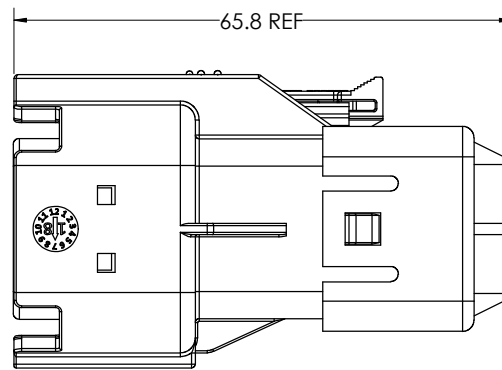
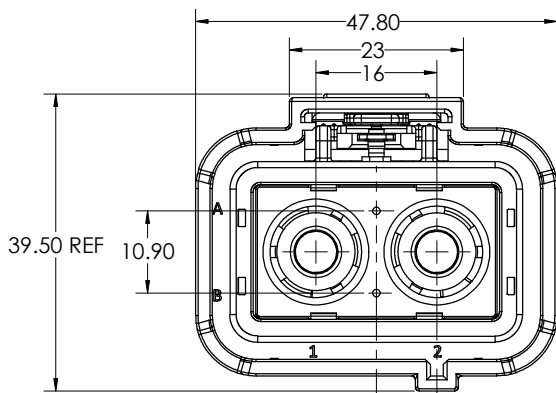
REV.	DESCRIPTION	DATE
C	MODIFY DESIGN	2016-11-29
D	UPDATE RoHS LABEL	2017-03-11
E	UPDATE CODE NUMBER AND MFG NUMBER	2018-06-28
F	UPDATE CONNECTOR LENGTH	2019-01-16
G	UPDATE CODE NUMBER	2019-02-21



KEY MARKING  
A,Y,Z,U,W



SPECIFICATION	
CONTACT SIZE	5.7 MM (RADSOK CONTACT) / #20 (HVIL CONTACT)
CONTACT TEST CURRENT	120 Amps Max / 5 Amps
OPERATING VOLTAGE	600V AC
OPERATING TEMPERATURE	-40 °C TO 125 °C
DIELECTRIC WITHSTANDING VOLTAGE	2500V AC
NUMBER OF CONTACT	2&2
DURABILITY	100 (MIN)
WATER PROOF	IP67 (MATED)
FINGER PROOF	YES
HVIL	OPTION
SALT SPRAY	96 H



RECOMMENDED CABLE OD RANGE:  
25MM<sup>2</sup> CABLE SIZE 13.9±0.3MM  
16MM<sup>2</sup> CABLE SIZE 11.2±0.3MM

KEYWAY DIMENSION A  
SEE TABLE



3. FOR ORDERING INFORMATION, PLEASE SEE CODE NUMBER REFERENCE. TO COMPLETE IT, ADD APPLICABLE CHARACTERS FOR DESIRED REQUIREMENT. SEE PAGE 2 FOR DETAIL INFORMATION.

2. THE DRAWING ILLUSTRATE FINALL ASSEMBLY. FOR STORAGE AND SHIPPING, THE POWER &HVIL CONTACTS ARE SHIPPED UNASSEMBLED.

1. THE REFERENCED PRODUCT SHALL BE COMPLIANT TO RoHS DIRECTIVE.

NOTES:

THIS DOCUMENT CONTAINS PROPRIETARY INFORMATION AND SUCH INFORMATION MAY NOT BE DISCLOSED TO OTHERS FOR ANY PURPOSE OR USED FOR MANUFACTURING PURPOSES WITHOUT WRITTEN PERMISSION FROM THE AMPHENOL CORP.

UNLESS OTHERWISE SPECIFIED		APPROVALS		DATE	<b>AMPHENOL INDUSTRIAL OPERATIONS</b> Amphenol Technology(Zhuhai)Co.,Ltd No.63, Xinghan Road, Sanzao Town, Jinwan, Zhuhai, PRC								
LINEAR DIMENSIONS ARE IN: MILLIMETERS TOLERANCES: ANGLES= ±2° DEFAULT LINEAR TOLERANCES SEE TABLE		PREPARED BY:	THOR YAN	2018-06-28									
DIM. & TOL. PER ASME Y14.5M-1994; DRM PER MIL-DTL-31000; OTHER AMPHENOL STANDARDS: 9-3800		ENGINEER IN CHANGE:	SEVEN XIE										
LEGENDS: =FLAG NOTE CALL OUT REFERENCE THIRD ANGLE PROJECTION		DESIGN MANAGER:	ROB WENG										
		PRODUCT GROUP:	C&3										
		MATERIAL SPEC	PROCESS SPEC		<table border="1"> <tr> <th>SIZE</th> <th>CAGE CODE</th> <th>DOCUMENT NUMBER</th> <th>REV</th> </tr> <tr> <td>C</td> <td>77820</td> <td>C ( )-738986-2 ( ) S ( )</td> <td>G</td> </tr> </table>	SIZE	CAGE CODE	DOCUMENT NUMBER	REV	C	77820	C ( )-738986-2 ( ) S ( )	G
SIZE	CAGE CODE	DOCUMENT NUMBER	REV										
C	77820	C ( )-738986-2 ( ) S ( )	G										
		N/A		N/A									
					SCALE: 1:2								
					REF:								
					SHEET 1 OF 2								

U A

④ CODE NUMBER REFERANCE: ELPA2( ) ( ) ( )

KEYWAY MARKING  
SEE TABLE 1

WIRE SIZE  
SEE TABLE 1

HVIL&EMI OPTION  
SEE TABLE 1

TABLE 1			
ITEM NO.	DESCRIPTION	CODE NUMBER	DIMENSION A
KEYWAY MARKING	KEYWAY A	A	4
	KEYWAY Y	Y	8
	KEYWAY Z	Z	0
	KEYWAY U	U	-8
	KEYWAY W	W	-4
WIRE SIZE	25 MM^2		25
	16 MM^2		16
HVIL & EMI OPTION	YES EMI & YES HVIL		--
	YES EMI & NO HVIL		01
	NO EMI & YES HVIL		10
	NO EMI & NO HVIL		11

MFG NUMBER REFERANCE: C( )-738986-2( )S( )

HVIL&EMI OPTION  
SEE TABLE 2

KEYWAY MARKING  
SEE TABLE 2

WIRE SIZE  
SEE TABLE 2

TABLE 2			
ITEM NO.	DESCRIPTION	MFG NUMBER	DIMENSION A
KEYWAY MARKING	KEYWAY A	A	4
	KEYWAY Y	Y	8
	KEYWAY Z	Z	0
	KEYWAY U	U	-8
	KEYWAY W	W	-4
WIRE SIZE	25 MM^2		2
	16 MM^2		1
HVIL & EMI OPTION	YES EMI & YES HVIL		10
	YES EMI & NO HVIL		20
	NO EMI & YES HVIL		30
	NO EMI & NO HVIL		40

NOTES:

THIS DOCUMENT CONTAINS PROPRIETARY INFORMATION AND SUCH INFORMATION MAY NOT BE DISCLOSED TO OTHERS FOR ANY PURPOSE OR USED FOR MANUFACTURING PURPOSES WITHOUT WRITTEN PERMISSION FROM THE AMPHENOL CORP.

SIZE	CAGE CODE	DOCUMENT NUMBER	REV
C	77820	C( )-738986-2( )S( )	G
SCALE: 2:1		REF:	SHEET 2 OF 2