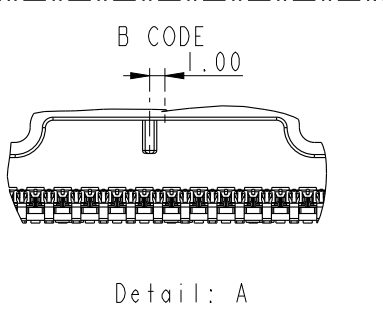
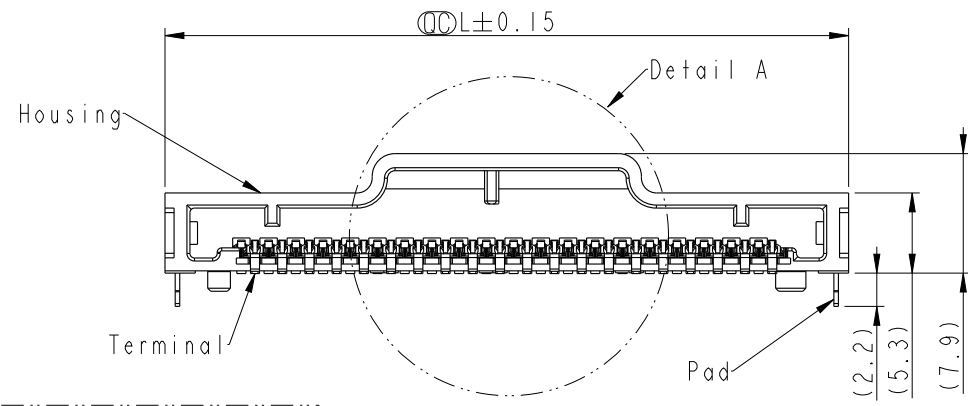
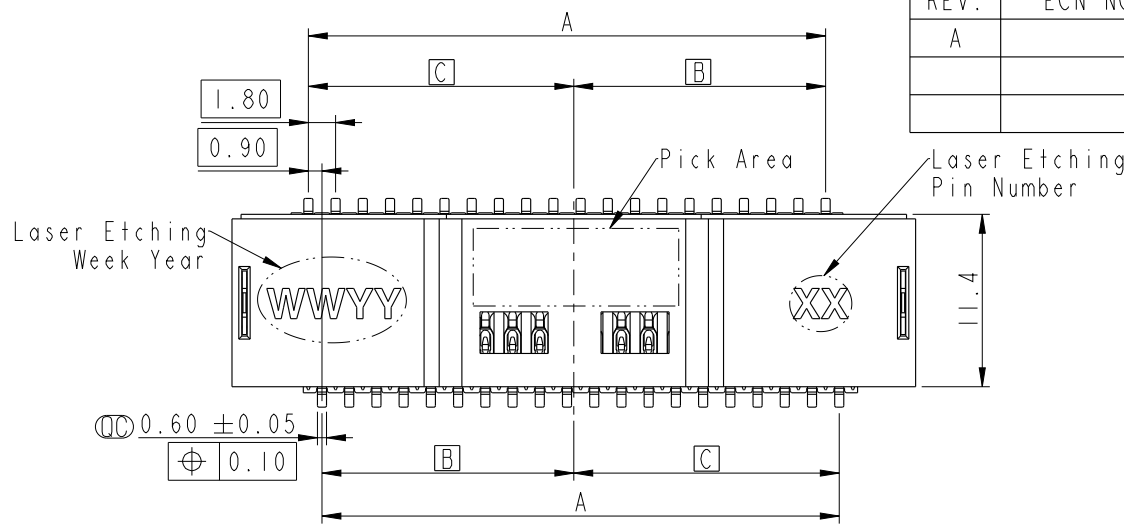


THIS DOCUMENT IS SUBJECT TO CHANGE WITHOUT NOTICE. IT IS CONFIDENTIAL AND A PROPERTY OF Amphenol LTW. DISCLOSURE TO THIRD PARTY HAS TO BE AUTHORIZED BY Amphenol LTW.

REV.	ECN NO.	DATE	SIGN	DESCRIPTION
A		2023/01/11	Xiaofeng	New Initial

ZCONNECT SIZE				
PIN	L(mm)	A(mm)	B(mm)	C(mm)
36	41.6	30.6	14.85	15.75
38	43.4	32.4	16.65	15.75
40	45.2	34.2	16.65	17.55



Z2BI- XX AFRS-BA0001
 XX-Number of Contacts

- Note:
- * ⌀ Important Dimensions To Check.
 - * Housing: Thermoplastic·Black.
 - * Terminal: Copper Alloy·Gold Plated.
 - * Pad: Metal.

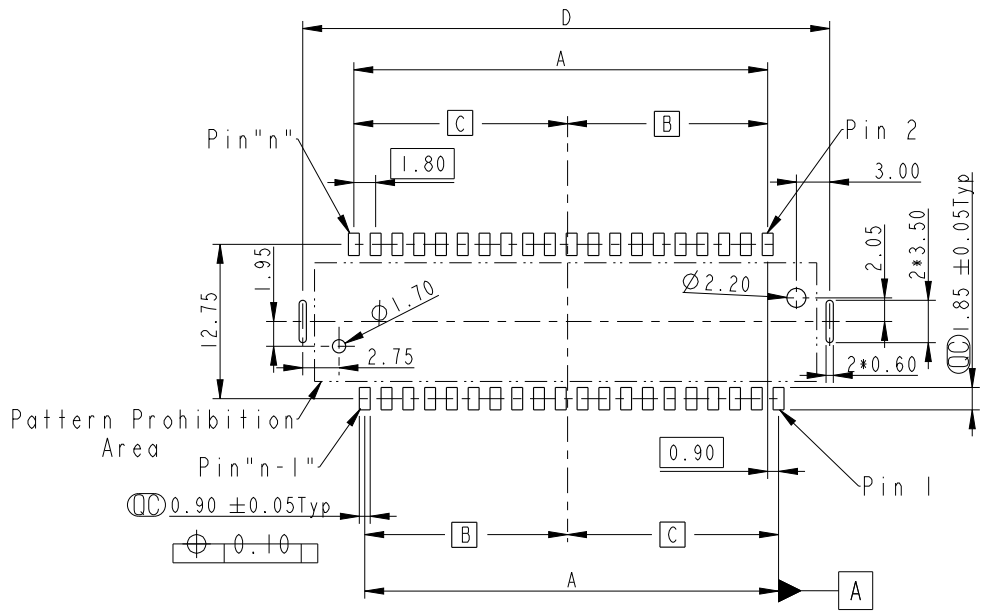
UNIT: mm	⌀	⌀
TOLERANCE	.X	± 0.25
	.XX	± 0.1
	.XXX	± 0.05
ANGLES		$\pm 1^\circ$

TITLE Z CONN., N SHLD, P 0.9, F SMD		
SCALE 1:1	SIZE A4	SHEET 1 OF 4
REV. A	WC-REV. .0	⌀ : Inspection item

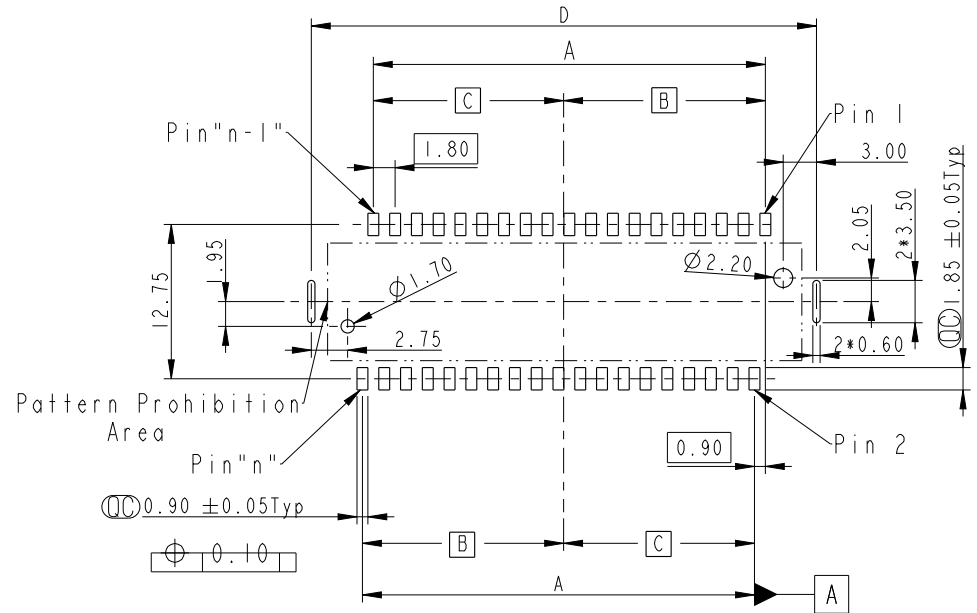
Amphenol LTW
 安費諾亮泰企業股份有限公司

ITEM NO.	DRAWN BY Xiaofeng	DATE 2023/01/11
DWG NO. Z2BI-XXAFRS-BA0001	CHECKED BY Feng-Li	DATE 2023/01/11
CUSTOMER ALTW	APPROVED BY Jerry	DATE 2023/01/11

THIS DOCUMENT IS SUBJECT TO CHANGE WITHOUT NOTICE. IT IS CONFIDENTIAL AND A PROPERTY OF Amphenol LTW. DISCLOSURE TO THIRD PARTY HAS TO BE AUTHORIZED BY Amphenol LTW.



RECOMMENDED PCB LAYOUT



RECOMMENDED PCB LAYOUT

PCB LAYOUT SIZE

PIN	A (mm)	B (mm)	C (mm)	D (mm)
36	30.6	14.85	15.75	39.95
40	34.2	16.65	17.55	43.55

PCB LAYOUT SIZE

PIN	A (mm)	B (mm)	C (mm)	D (mm)
38	32.4	16.65	15.75	41.75

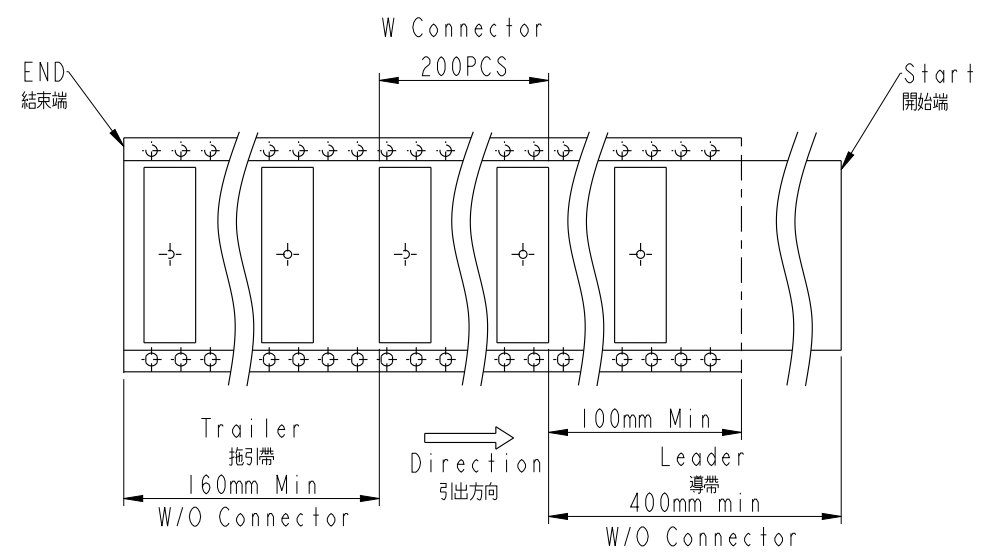
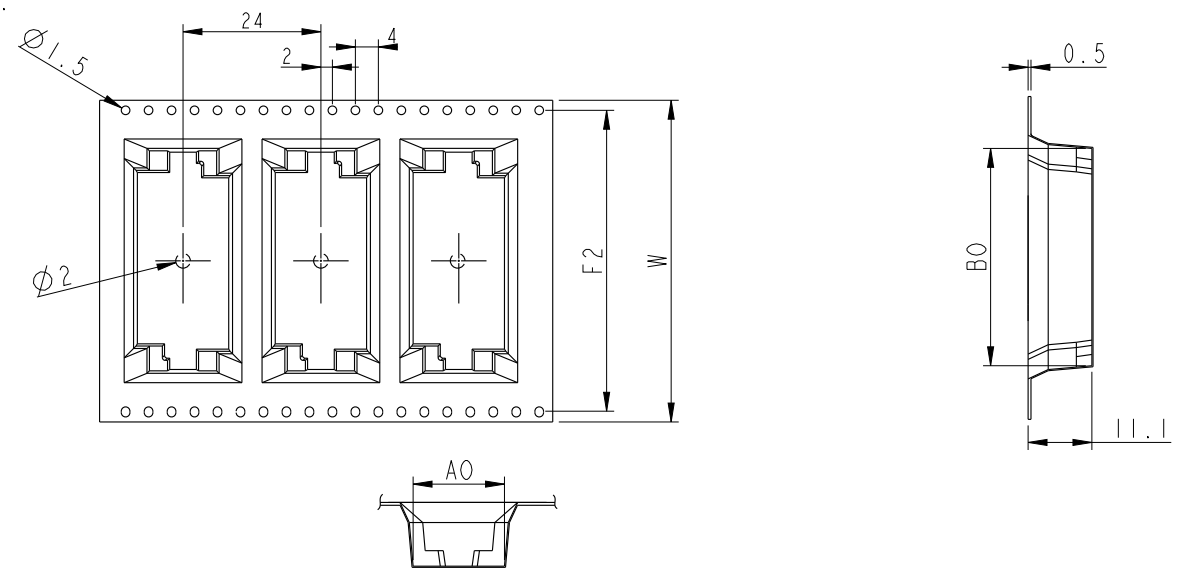
UNIT: mm		TITLE Z CONN., N SHLD, P 0.9, F SMD	SCALE 1:1		SIZE A4	SHEET 2 OF 4
	TOLERANCE .X ±0.25 .XX ±0.1 .XXX ±0.05 ANGLES ±1°		REV. A	WC-REV. .0	QC: Inspection item	

Amphenol LTW
安費諾亮泰企業股份有限公司

ITEM NO	DRAWN BY Xiaofeng	DATE 2023/01/11
DWG NO Z2B1-XXAFRS-BA0001	CHECKED BY Feng-Li	DATE 2023/01/11
CUSTOMER ALTW	APPROVED BY Jerry	DATE 2023/01/11

THIS DOCUMENT IS SUBJECT TO CHANGE WITHOUT NOTICE. IT IS CONFIDENTIAL AND A PROPERTY OF AMPHENOL LTW. DISCLOSURE TO THIRD PARTY HAS TO BE AUTHORIZED BY AMPHENOL LTW.

Packing:



PIN	B0(mm)	W(mm)	F2(mm)	A0(mm)
36	41.9	72	68.4	
38	43.7			
40	45.5			

UNIT: mm

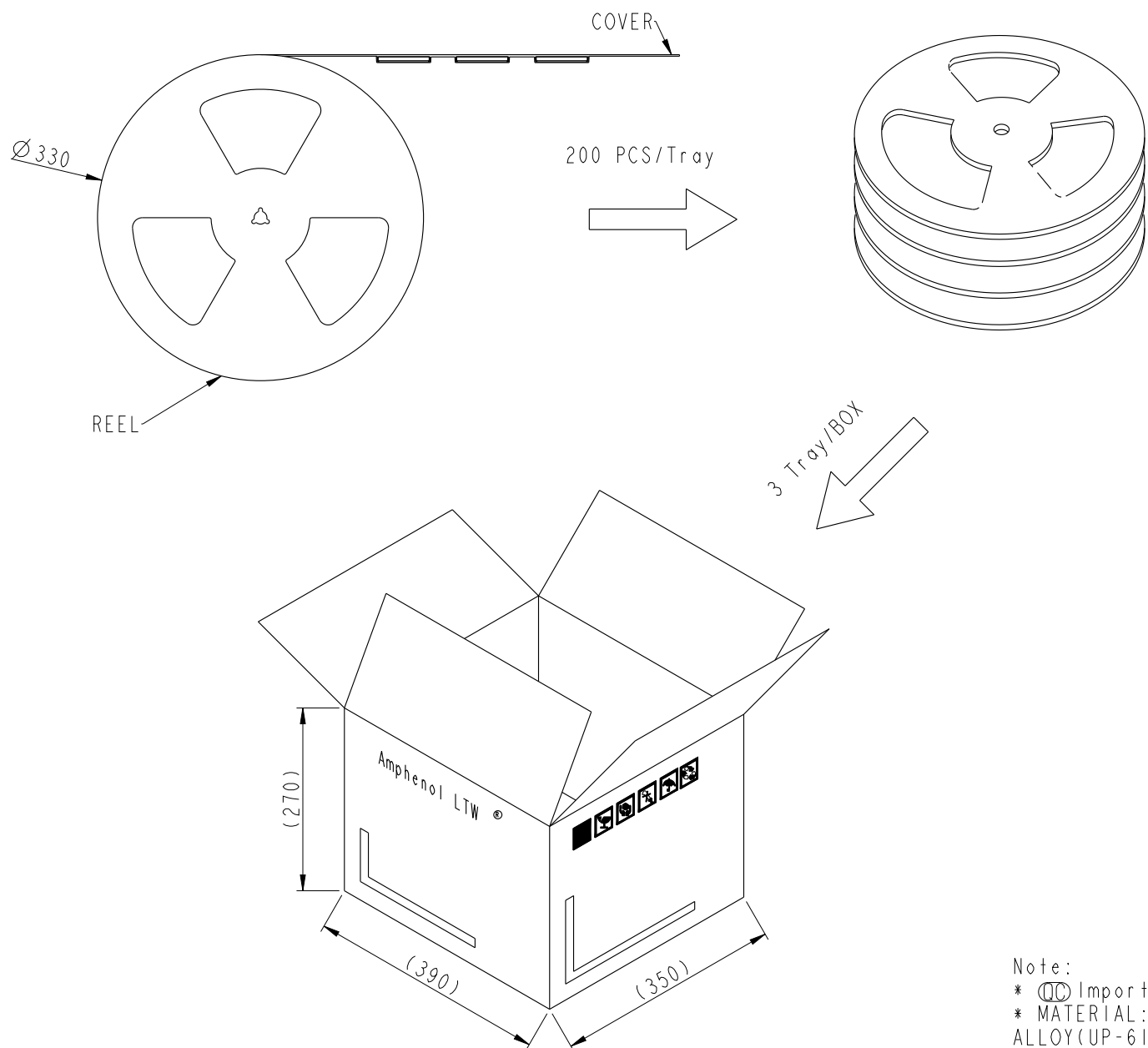
TOLERANCE	
.X	± 0.25
.XX	± 0.1
.XXX	± 0.05
ANGLES	$\pm 1^\circ$

TITLE Z CONN., N SHLD, P 0.9, F SMD			
SCALE 1:1	SIZE A4	SHEET 3 OF 4	
REV. A	WC-REV. .0	QC: Inspection item	

Amphenol LTW
安費諾亮泰企業股份有限公司

ITEM NO	DRAWN BY Xiaofeng	DATE 2023/01/11
DWG NO Z2B1-XXAFRS-BA0001	CHECKED BY Feng-Li	DATE 2023/01/11
CUSTOMER ALTW	APPROVED BY Jerry	DATE 2023/01/11

THIS DOCUMENT IS SUBJECT TO CHANGE WITHOUT NOTICE. IT IS CONFIDENTIAL AND A PROPERTY OF Amphenol LTW. DISCLOSURE TO THIRD PARTY HAS TO BE AUTHORIZED BY Amphenol LTW.



Note:
 * \varnothing Important Dimensions To Check.
 * MATERIAL: BLACK CONDUCTIVE POLYSTYRENE ALLOY(UP-6100).

A	UNIT:mm			TITLE Z CONN., N SHLD, P 0.9, F SMD			ITEM NO		DRAWN BY Xiaofeng		DATE 2023/01/11	
	TOLERANCE .X ±0.25 .XX ±0.1 .XXX ±0.05 ANGLES ±1°			SCALE 2:1	SIZE A4	SHEET 4 OF 4	DWG NO Z2B1-XXAFRS-BA0001	CHECKED BY Feng-Li		DATE 2023/01/11		
			REV. A	WC-REV. .0	\varnothing : Inspection item		CUSTOMER ALTW		APPROVED BY Jerry		DATE 2023/01/11	
		2	3	4	5	6	7	8		W10814-03-2001A2		

Amphenol LTW
 安費諾亮泰企業股份有限公司