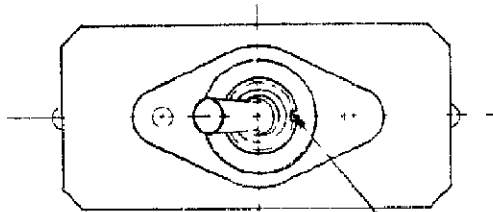
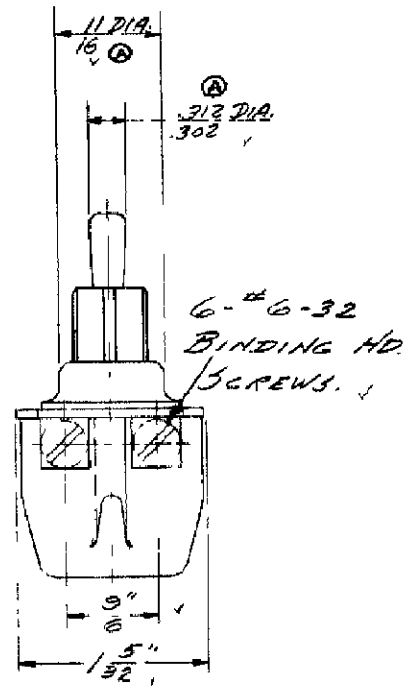
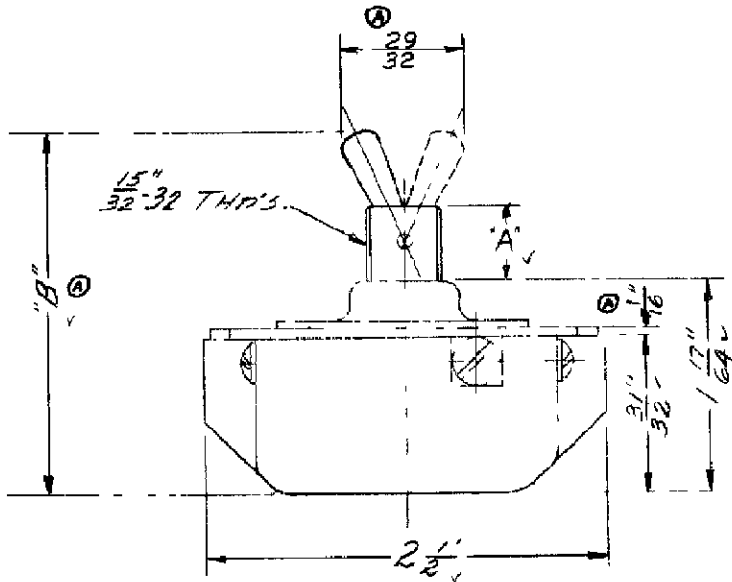


**A 90-287**  
DWO. SIZE

RAW MATERIAL SPECIFICATION WITH PART NO.



068" KEYWAY  
075" KEYWAY



FOR 90-283-2	A = $\frac{13}{32}$ "	B = $2 \frac{35}{64}$ "
FOR 90-283	A = $\frac{11}{32}$ "	B = $2 \frac{27}{64}$ "

NAME *DIM. FOR D.P.D.T., 10 AMP. ONE HOLE MFG. TOOL HANDLE SW.*

ORDER NUMBER <i>DA 3829-N</i>	SUPERSEDES INTERCHANGEABLE	SUPERSEDED INTERCHANGEABLE	FINISH —	FIRST ASSEMBLY WHERE USED <i>SEE ABOVE</i>
----------------------------------	-------------------------------	-------------------------------	-------------	---

A	REINSTATED	ECNA09260001	9/27/00	9/27/00
---	------------	--------------	---------	---------

DRAWN BY *H. Schupp* 9/23/00 TRACED BY \_\_\_\_\_ CHECKED BY *J. Pauch* 9/29/00 APPROVED BY *PAUCH* 3/26/08

STANDARD TOLERANCES UNLESS OTHERWISE SPECIFIED APPLY TO DIMENSIONS FOR WHICH TOLERANCES ARE NOT SHOWN  
SCALE 1" = 1"

**A 90-287**  
CUTLER-HAMMER, INC. MILWAUKEE NEW YORK DWO. SIZE

CHARLES BRUNING CO., INC.