

MH481 a linear Hall-effect sensor, is composed of Hall sensor, linear amplifier and Totem-Pole output stage. It features low noise output, which makes it unnecessary to use external filtering. It also can provide increased temperature stability and accuracy. The linear Hall sensor has a wide operating temperature range of -40°C to $+105^{\circ}\text{C}$, appropriate for commercial, consumer, and industrial environments.

The high sensitivity of Hall-effect sensor accurately tracks extremely weak changes in magnetic flux density. The linear sourcing output voltage is set by the supply voltage and in proportion of vary of the magnetic flux density. Typical operation current is 2.5mA and operating voltage range is 3.0 volts to 6.5 volts.

MH481 is rated for operation between the ambient temperatures -40°C and $+105^{\circ}\text{C}$ for the I temperature range. The four package styles available provide magnetically optimized solutions for most applications. Package types SQ is a DFN2020-3(0.5 mm nominal height), SD is a DFN2020-6(0.6mm nominal height), ST is a Tsot-23 (0.7 mm nominal height) miniature low-profile surface-mount package, while package UA is a three-lead ultra-mini SIP for through-hole mounting.

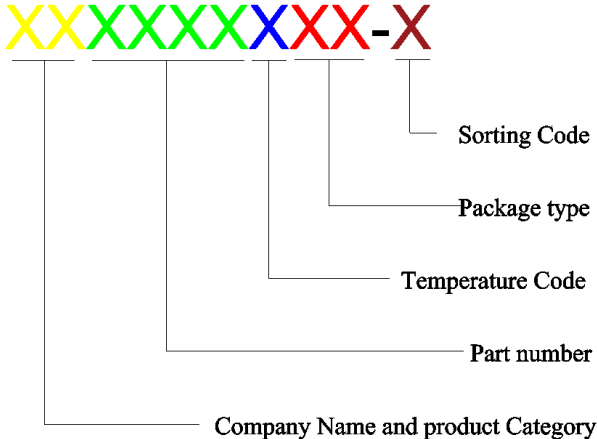
Features and Benefits

- Operating Voltage Range: 3.0V~6.5V
- Power consumption of 2.5 mA at 5 V_{DC} for energy efficiency
- Low-Noise Operation
- Linear output for circuit design flexibility
- Totem-Pole for a stable and accurate output
- Responds to either positive or negative gauss
- Small package for SMD
- Magnetically Optimized Package for SIP
- Cost competitive
- Robust ESD performance
- RoHS compliant 2011/65/EU and Halogen Free

Applications

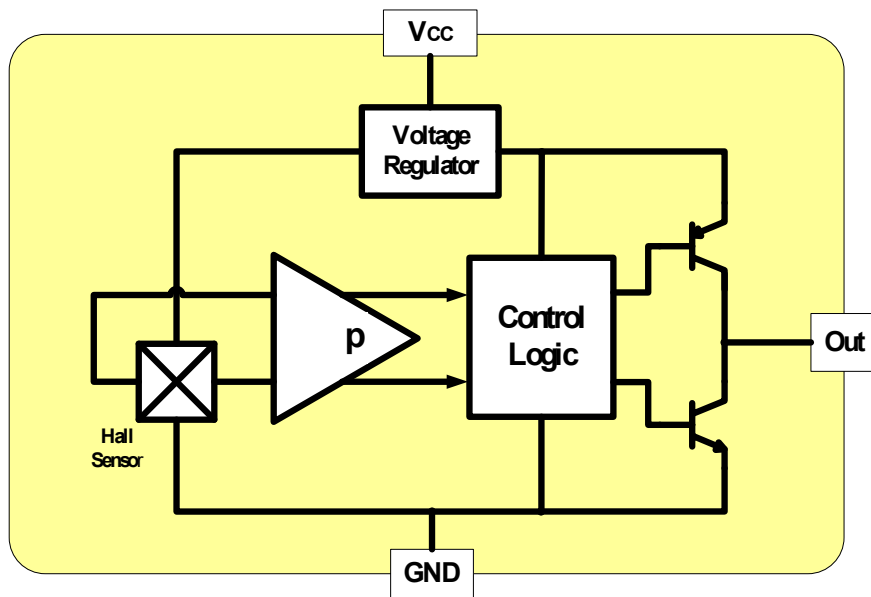
- Current sensing
- Motor control
- Position sensing
- Magnetic code reading
- Rotary encoder
- Ferrous metal detector
- Vibration sensing
- Liquid level sensing
- Weight sensing

Ordering Information

<p>XXXXXXXX-XX</p> 	<p>Company Name and Product Category MH:MST Hall Effect/MP:MST Power IC</p> <p>Part number 181,182,183,184,185,248,249,276,477,381,381F,381R,382.....</p> <p>If part # is just 3 digits, the fourth digit will be omitted.</p> <p>Temperature range E: 85 °C, I: 105 °C, K: 125 °C, L: 150 °C</p> <p>Package type UA:TO-92S, VK:TO-92S(4pin), VF:TO-92S(5pin), SO:SOT-23,SQ:QFN-3,ST:TSOT-23,SN:SOT-553, SF:SOT-89(5pin),SS:TSOT-26,SD:DFN-6</p> <p>Sorting α,β,Blank.....</p>
---	---

Part No.	Temperature Suffix	Package Type
MH481IUA	I (-40°C to + 105°C)	UA (TO-92S)
MH481IST	I (-40°C to + 105°C)	ST(TSOT-23)
MH481ISQ	I (-40°C to + 105°C)	SQ (QFN2020-3)
MH481ISD	I (-40°C to + 105°C)	SD (QFN2020-6)

Functional Diagram



Absolute Maximum Ratings At ($T_a=25^\circ\text{C}$)

Characteristics		Values	Unit
Supply Voltage, (V_{CC})		8	V
Reverse Voltage, (V_{CC})		-0.5	V
Magnetic Flux Density		Unlimited	Gauss
Output Current, (I_{out})		10	mA
Operating Temperature Range, (T_a)	“I” version	-40 to +105	$^\circ\text{C}$
Storage temperature range, (T_s)		-65 to +150	$^\circ\text{C}$
Maximum Junction Temp, (T_j)		150	$^\circ\text{C}$
Thermal Resistance	(θ_{ja}) UA / SQ / ST / SD	206 / 543 / 310 / 160	$^\circ\text{C}/\text{W}$
	(θ_{jc}) UA / SQ / ST / SD	148 / 410 / 223 / 35	$^\circ\text{C}/\text{W}$
Package Power Dissipation, (PD)UA / SQ / ST / SD		606 / 230 / 400 / 780	mW

Note: Do not apply reverse voltage to V_{CC} and V_{OUT} Pin, It may be caused for Miss function or damaged device.

MH 481IUA- α Electrical Specifications

DC Operating Parameters: $T_A=+25^\circ\text{C}$, $V_{CC}=5.0\text{V}$

Parameters	Test Conditions	Min	Typ	Max	Units
Supply Voltage, (V_{CC})	Operating	3.0		6.5	V
Supply Current, (I_{CC})	B=0 Gauss		2.5	5.0	mA
Output Current, (I_o)	$V_{CC}>3\text{V}$	1.0	1.5		mA
Null Output Voltage, (V_{Null})	B=0 Gauss	2.3	2.5	2.7	V
Output Bandwidth, (B_w)			20		kHz
Output Voltage Span, (V_{os})		2.95	3.2		V
Magnetic Range Gauss		± 500	± 800		Gauss
Linearity	% of Span		0.7		
Response Time			3		μs
Sensitivity		1.9		2.1	mV/G
Electro-Static Discharge	HBM	3			kV

MH 481IUA- β Electrical Specifications

DC Operating Parameters: $T_A=+25^\circ\text{C}$, $V_{CC}=5.0\text{V}$

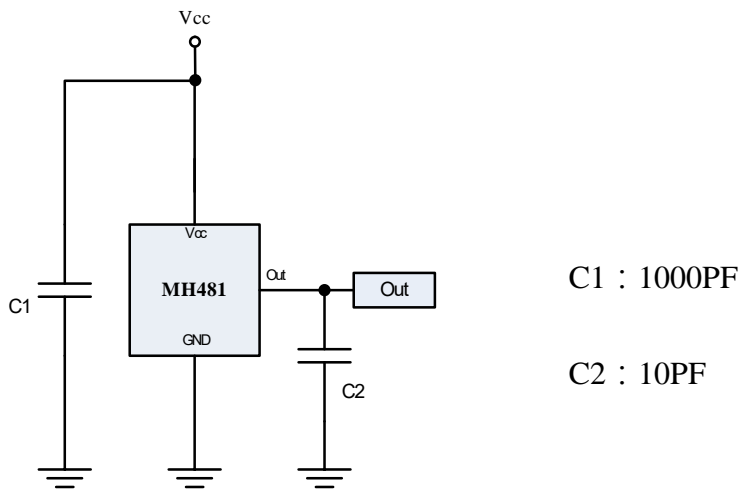
Parameters	Test Conditions	Min	Typ	Max	Units
Supply Voltage, (V_{CC})	Operating	3.0		6.5	V
Supply Current, (I_{CC})	B=0 Gauss		2.5	5.0	mA
Output Current, (I_o)	$V_{CC}>3\text{V}$	1.0	1.5		mA
Null Output Voltage, (V_{Null})	B=0 Gauss	2.3	2.5	2.7	V
Output Bandwidth, (B_w)			20		kHz
Output Voltage Span, (V_{os})		2.95	3.2		V
Magnetic Range Gauss		± 500	± 800		Gauss
Linearity	% of Span		0.7		
Response Time			3		μs
Sensitivity		1.8		1.9	mV/G
Electro-Static Discharge	HBM	3			kV

MH 481UA/SQ / ST/SD Electrical Specifications

DC Operating Parameters: $T_A = +25^\circ\text{C}$, $V_{CC} = 5.0\text{V}$

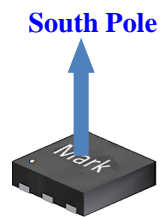
Parameters	Test Conditions	Min	Typ	Max	Units
Supply Voltage, (V_{CC})	Operating	3.0		6.5	V
Supply Current, (I_{CC})	B=0 Gauss		2.5	5.0	mA
Output Current, (I_o)	$V_{CC} > 3\text{V}$	1.0	1.5		mA
Null Output Voltage, (V_{Null})	B=0 Gauss	2.3	2.5	2.7	V
Output Bandwidth, (Bw)			20		kHz
Output Voltage Span, (V_{Os})		2.95	3.2		V
Magnetic Range Gauss		± 500	± 800		Gauss
Linearity	% of Span		0.7		
Response Time			3		μs
Sensitivity		1.8		2.1	mV/G
Electro-Static Discharge	HBM	3			kV

Typical application circuit

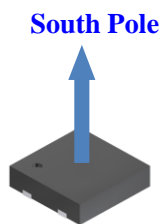


Output Behavior versus Magnetic Pole

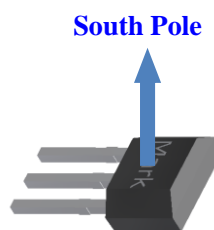
DC Operating Parameters: $T_a = 25^\circ\text{C}$, $V_{CC} = 5\text{V}$



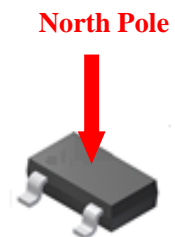
SD Package



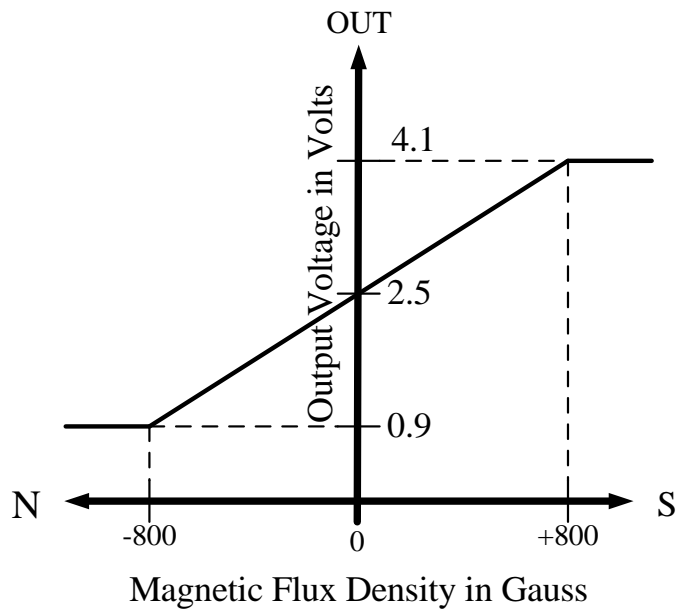
SQ Package



UA Package

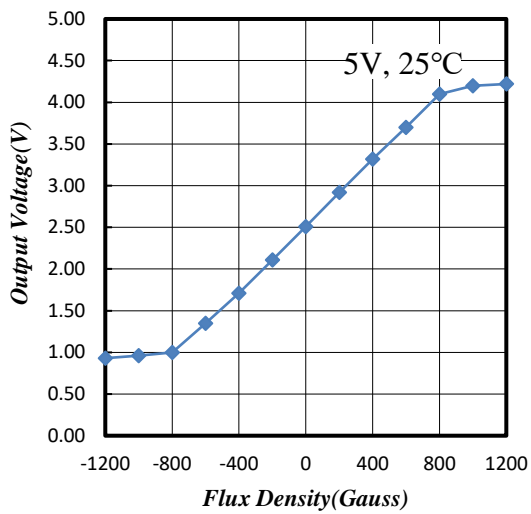


ST Package

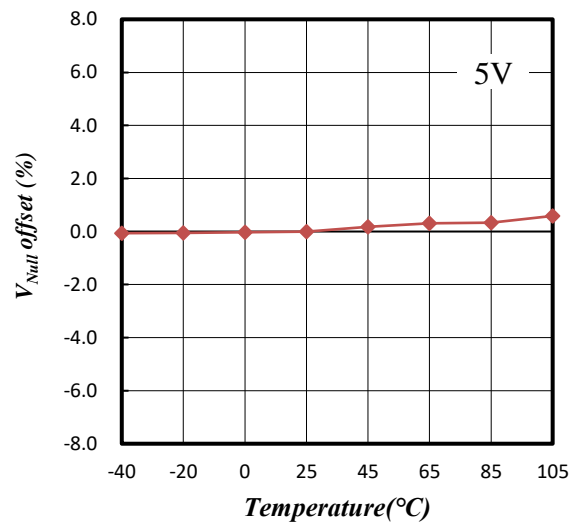


Performance Graph

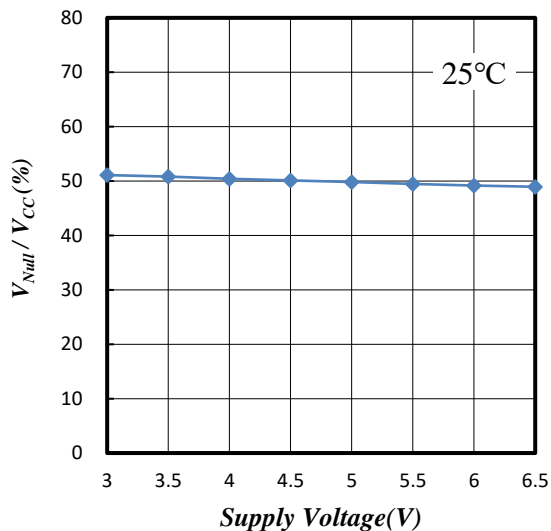
Typical Flux Density Versus Output Voltage



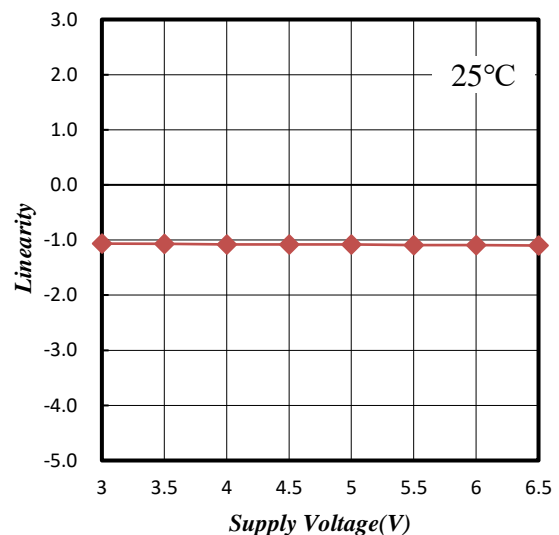
Typical Temperature (T_A) Versus Output Voltage Offset



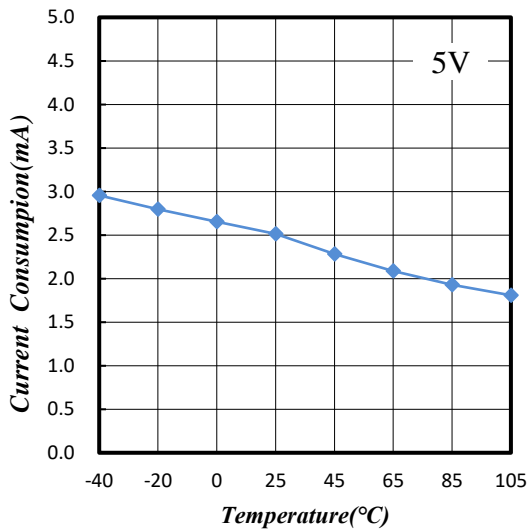
Typical Supply Voltage (V_{CC}) Versus Ratio of V_{out} to V_{CC}



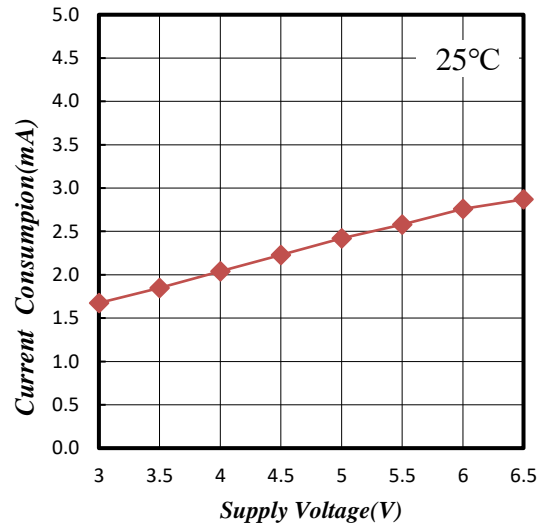
Typical Supply Voltage (V_{CC}) Versus Linearity



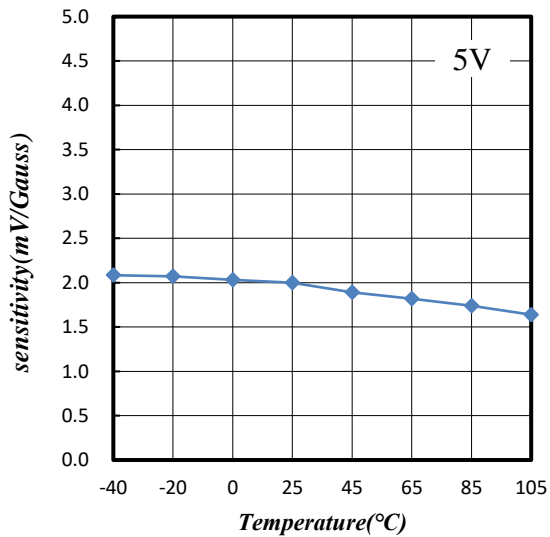
Typical Temperature (T_A) Versus Supply Current (I_{cc})



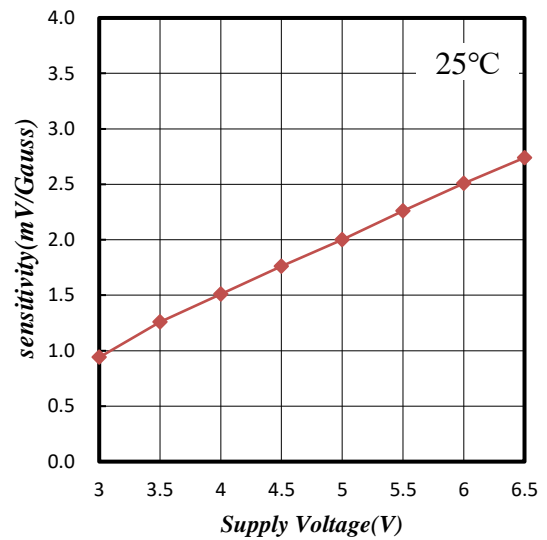
Typical Supply Voltage (V_{cc}) Versus Supply Current (I_{cc})



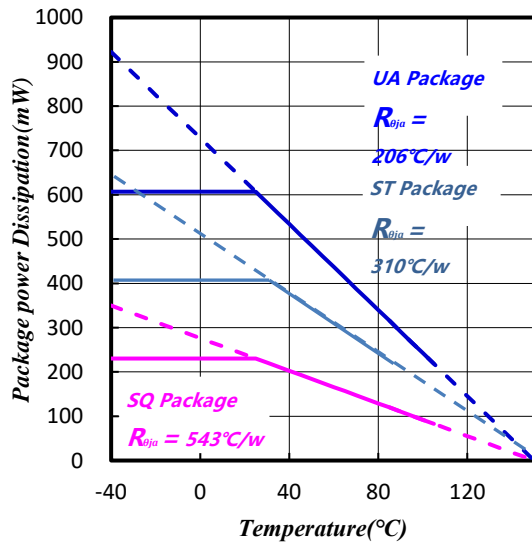
Typical Temperature (T_A) Versus Sensitivity



Typical Supply Voltage (V_{cc}) Versus Sensitivity



Power Dissipation Versus Temperature (T_A)



Output Voltage

The output voltage of linear Hall Effect Sensor is an analog signal and which is proportional to the magnetic flux density. The basis of its output voltage will be changed by the supply voltage. Therefore, under the different supply voltage, the output voltage is proportional to magnetic flux density. V_{OUT} can be calculated as follows:

$$V_{OUT} = \frac{1}{2} \times V_{CC} + B_M \times \text{Sensitivity}$$

$$\text{While Sensitivity} = \left[\frac{1}{2} \times (V_{CC} - 1) - \left(\frac{T_a - 25}{20} \times 0.09 \right) \right] \times \frac{1}{1000}$$

V_{OUT} is output voltage of IC (V)

V_{CC} is supply voltage of IC (V)

B_M is magnetic flux density on IC (Gauss)

Sensitivity can be calculated via the supply voltage (V_{CC}) and ambient temperature (T_a)

T_a is ambient temperature of IC ($^{\circ}\text{C}$)

The range of parameters that can meet the above formula: the supply voltage is from 3V to 6.5V; T_a is between 25°C to 105°C , the magnetic flux density is between $-800\text{Gauss} \sim +800\text{Gauss}$. If T_a is lower than 25°C , the temperature operand $\left(\frac{T_a - 25}{20} \times 0.09 \right)$ on Sensitivity is negligible.

Package Power Dissipation

The power dissipation of the Package is a function of the pad size. This can vary from the minimum pad size for soldering to a pad size given for maximum power dissipation. Power dissipation for a surface mount device is determined by $T_{J(\text{max})}$, the maximum rated junction temperature of the die, $R_{\theta JA}$, the thermal resistance from the device junction to ambient, and the operating temperature, T_a . Using the values provided on the data sheet for the package, PD can be calculated as follows:

$$P_D = \frac{T_{J(\text{max})} - T_a}{R_{\theta JA}}$$

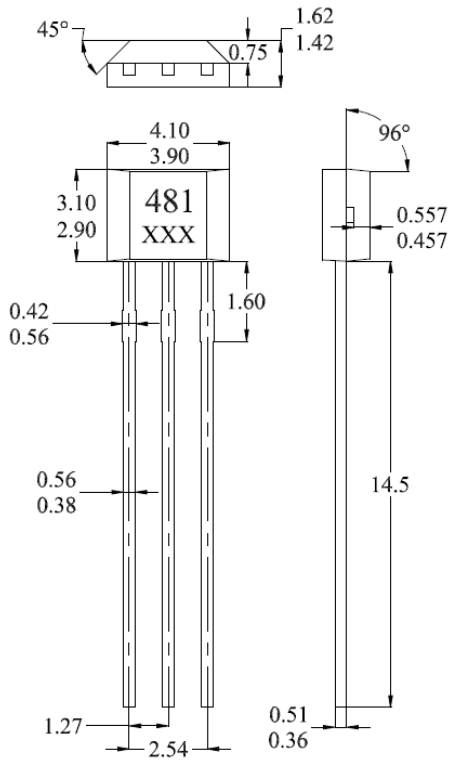
The values for the equation are found in the maximum ratings table on the data sheet. Substituting these values into the equation for an ambient temperature T_a of 25°C , one can calculate the power dissipation of the device which in this case is 606 milliwatts.

$$P_D (\text{UA}) = \frac{150^{\circ}\text{C} - 25^{\circ}\text{C}}{206^{\circ}\text{C}/\text{W}} = 606\text{mW}$$

The $206^{\circ}\text{C}/\text{W}$ for the UA package assumes the use of the recommended footprint on a glass epoxy printed circuit board to achieve a power dissipation of 606 milliwatts. There are other alternatives to achieving higher power dissipation from the Package. Another alternative would be to use a ceramic substrate or an aluminum core board such as Thermal Clad. Using a board material such as Thermal Clad, an aluminum core board, the power dissipation can be doubled using the same footprint.

Sensor Location, package dimension and marking

UA Package

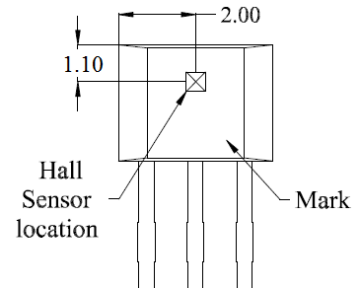


NOTES:

1. Controlling dimension: mm
2. Leads must be free of flash and plating voids
3. Do not bend leads within 1 mm of lead to package interface.
4. PINOUT:

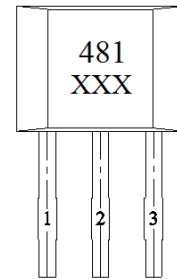
Pin 1	VCC
Pin 2	GND
Pin 3	Output

Hall Chip location



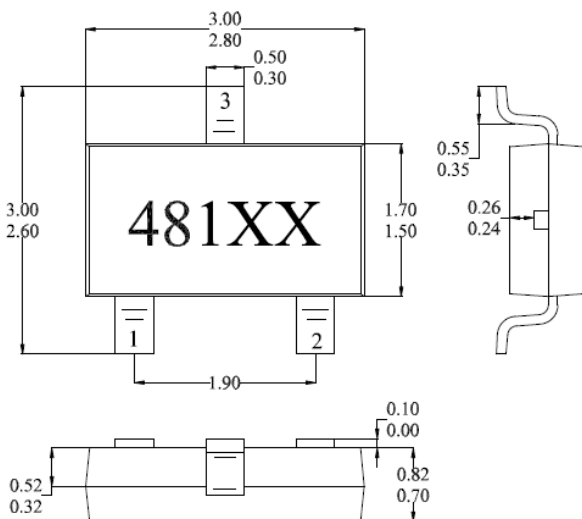
Output Pin Assignment

(Top view)



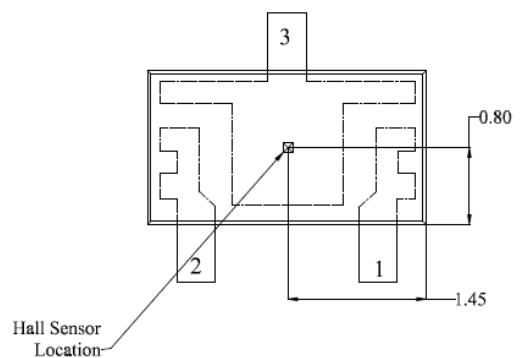
ST Package (TSOT-23)

(Top view)

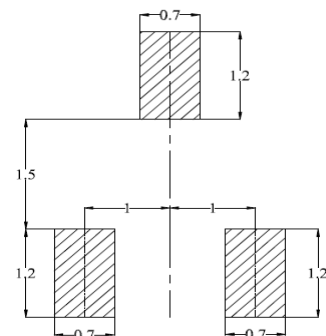


Hall Plate Chip Location

(Bottom view)



(For reference only) Land Pattern

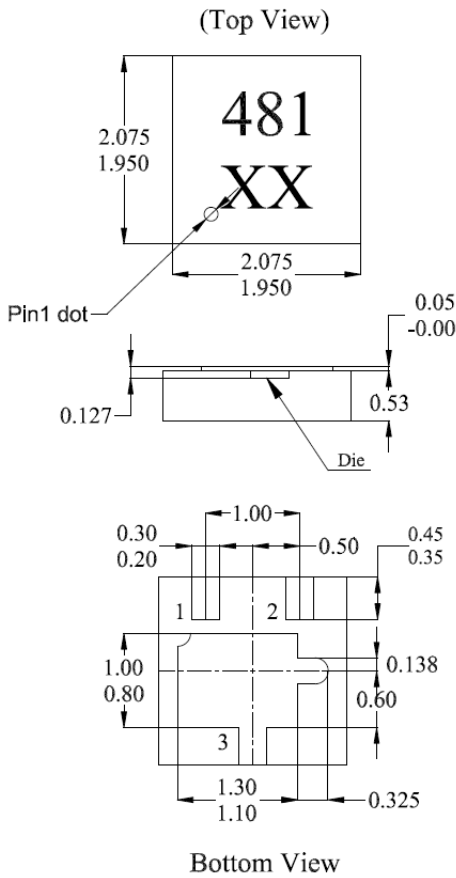


NOTES:

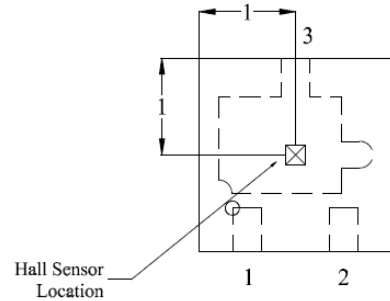
1. PINOUT (See Top View at left:):

Pin 1	VDD
Pin 2	Output
Pin 3	GND
2. Controlling dimension: mm;

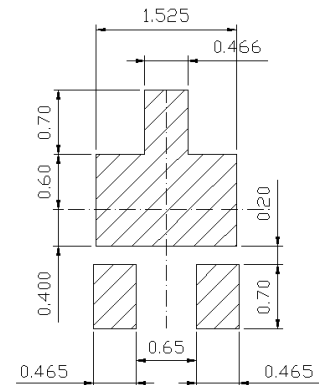
SQ Package (QFN2020-3)



Hall Plate Chip Location
(Top view)



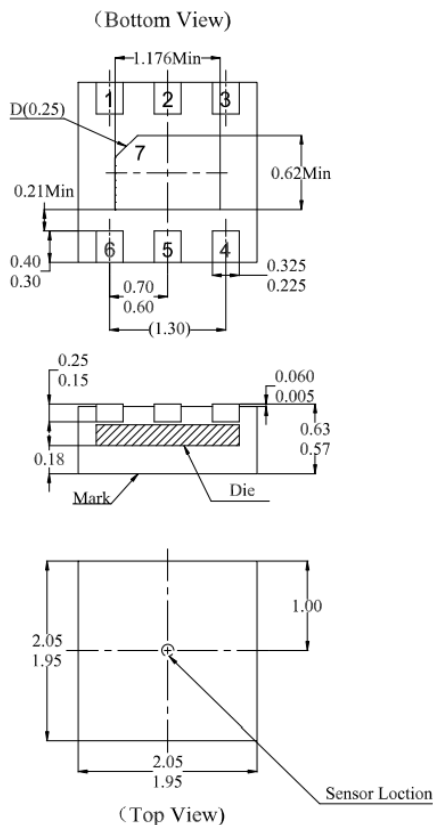
(For reference only) Land Pattern



NOTES:

- PINOUT (See Top View at left)
Pin 1 VCC
Pin 2 Output
Pin 3 GND
- Controlling dimension: mm;
- Chip rubbing will be 10 mil maximum;
- Chip must be in PKG. center.

SD package (DFN2020-6)

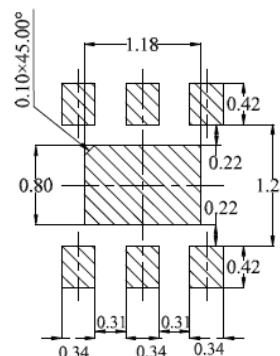


NOTES:

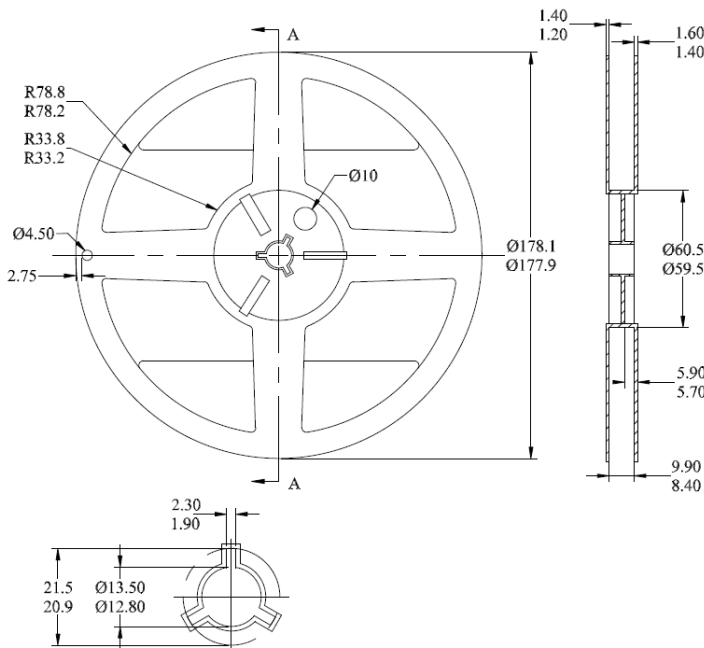
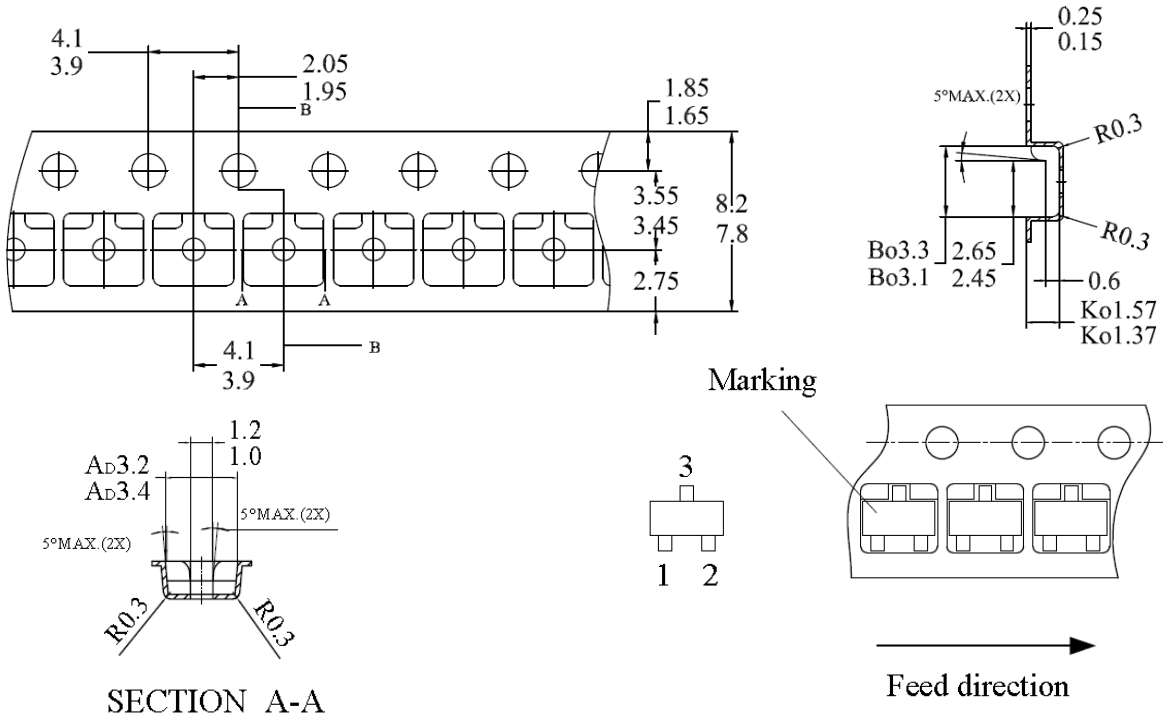
- Controlling dimension: mm
- Leads must be free of flash and plating voids
- Lead thickness after solder plating will be 0.254mm maximum
- PINOUT:

Pin No.	Pin Name	Function
1	V _{DD}	Power Supply
2	N.C	N.C
3	V _{OUT}	Output
4	N.C	N.C
5	V _{SS}	Ground
6	N.C	N.C
7	V _{SS}	Ground

- (For reference only) Land pattern



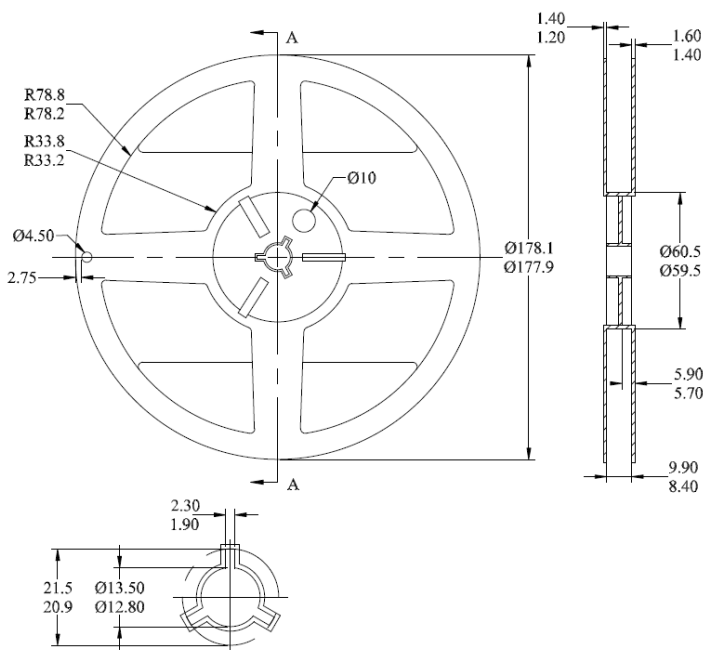
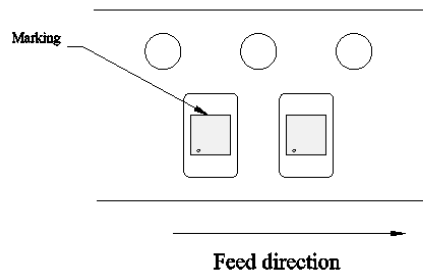
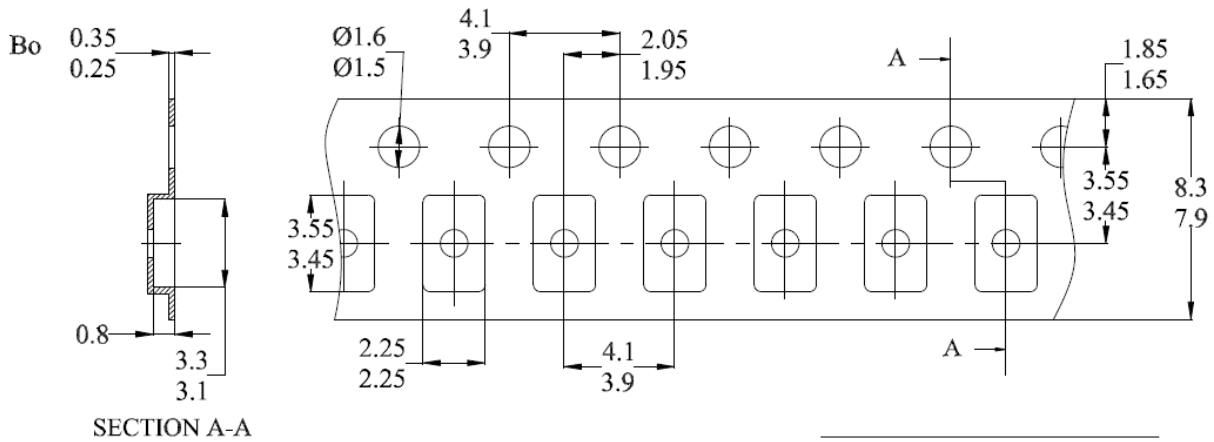
TSOT-23 package Tape On Reel Dimension



NOTES:

1. Material: Conductive polystyrene;
2. DIM in mm;
3. 10 sprocket hole pitch cumulative tolerance ± 0.2 ;
4. Camber not to exceed 1mm in 100mm;
5. Pocket position relative to sprocket hole measured as true position of pocket, not pocket hole;
6. (S.R.OHM/SQ) Means surface electric resistivity of the carrier tape.

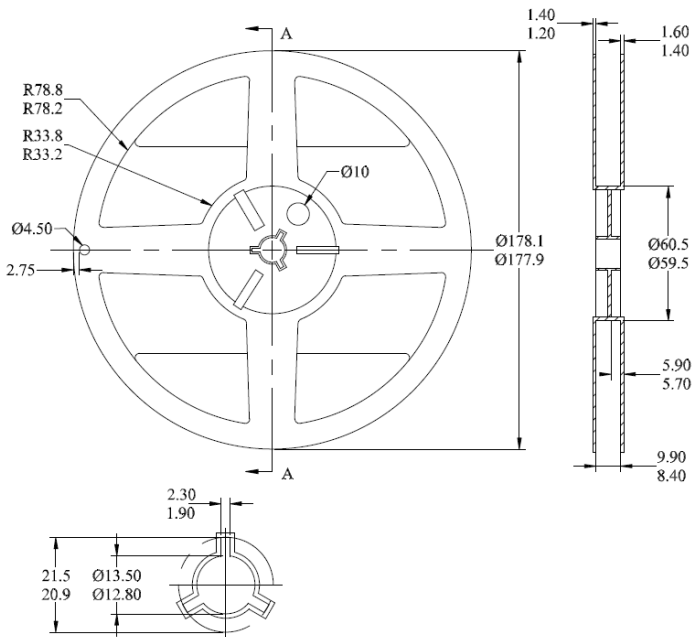
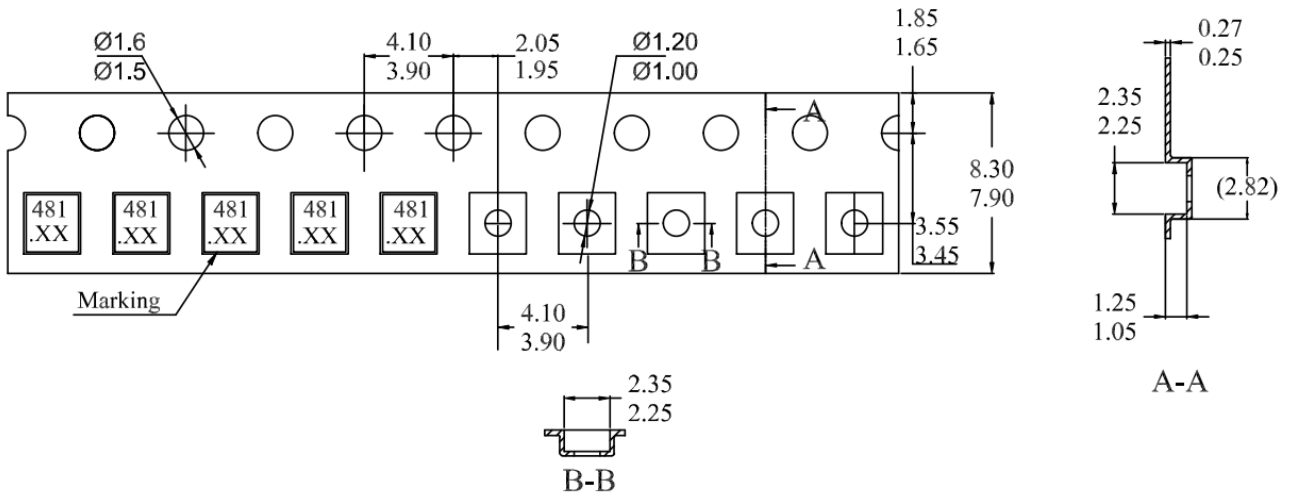
QFN2020-3 Tape On Reel Dimension



NOTES:

1. Material: Conductive polystyrene;
2. DIM in mm;
3. 10 sprocket hole pitch cumulative tolerance ± 0.2 ;
4. Camber not to exceed 1mm in 100mm;
5. Pocket position relative to sprocket hole measured as true position of pocket, not pocket hole;
6. (S.R.OHM/SQ) Means surface electric resistivity of the carrier tape.

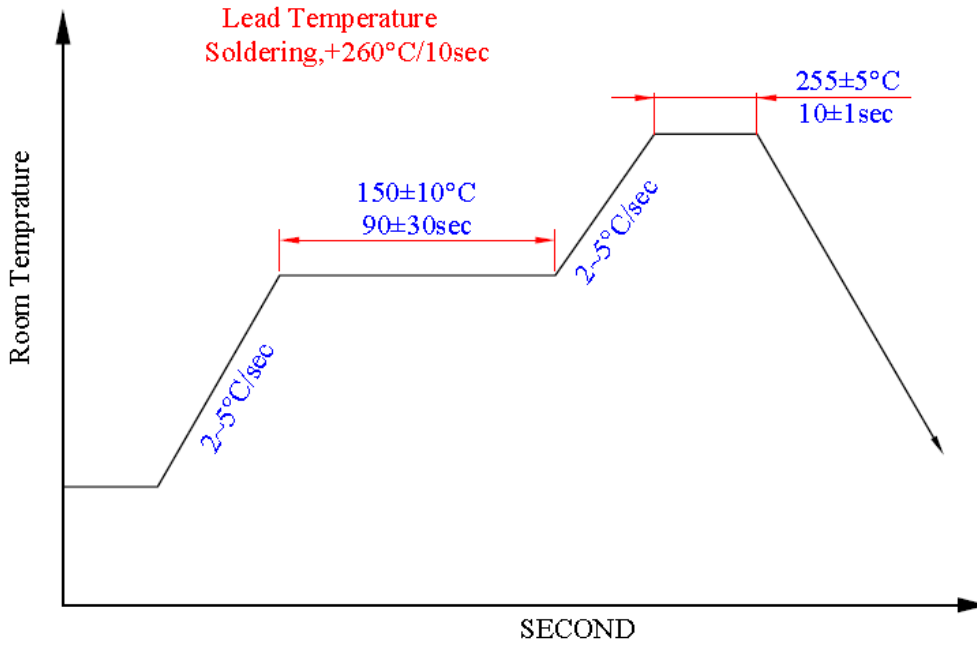
SD package Tape On Reel Dimension



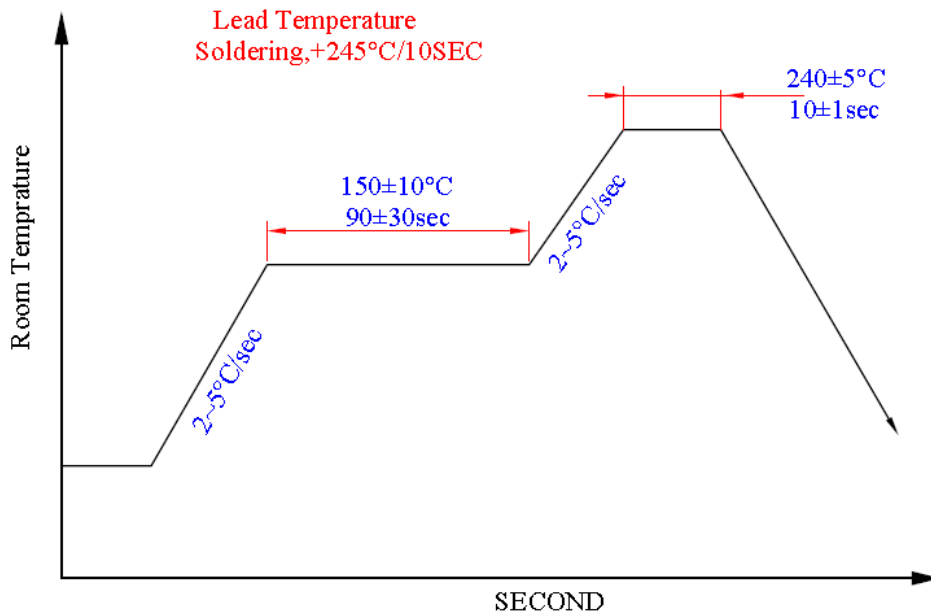
NOTES:

1. Material: Conductive polystyrene;
2. DIM in mm;
3. 10 sprocket hole pitch cumulative tolerance ± 0.2 ;
4. Camber not to exceed 1mm in 100mm;
5. Pocket position relative to sprocket hole measured as true position of pocket, not pocket hole;
6. (S.R. OHM/SQ) Means surface electric resistivity of the carrier tape.

IR reflow curve



SQ/ST/SD Soldering Condition



UA Soldering Condition

Packing specification:

Package	Bag	Box	Carton	Carton	Carton
TO-92S-3L(UA)	1,000pcs/bag	10bags/box	10 boxes/carton	5 boxes/carton	4 boxes/carton
TSOT-23-3L(ST)	3,000pcs/reel	5reels/box	6boxes/carton	6boxes/carton	6 boxes/carton
QFN2020-3(SQ)	3,000pcs/reel	5reels/box	6boxes/carton	6boxes/carton	6 boxes/carton
QFN2020-6(SD)	4,000pcs/reel	5reel/box	12 box/carton	4,000pcs/reel	4,000pcs/reel

TO-92S-3L	Weight	TSOT-23-3L	Weight
1000pcs/bag	0.11kg	3000pcs/reel	0.12kg
10bags/box	1.26kg	5reels/box	0.72kg
10 boxes/carton	13.38kg	6boxes/carton	4.79kg
5 boxes/carton	6.82kg	6boxes/carton	4.79kg
4 boxes/carton	5.54kg	6boxes/carton	4.79kg

QFN2020-3(SQ)	Weight	QFN2020-6(SD)	Weight
3000pcs/reel	0.10kg	4000pcs/reel	0.11kg
5reels/box	0.64kg	5 reels/box	0.66kg
6boxes/carton	4.34kg	12 boxes/carton	8.72kg

ST/SQ/SD Package Inner box label : Size:5cm*8cm



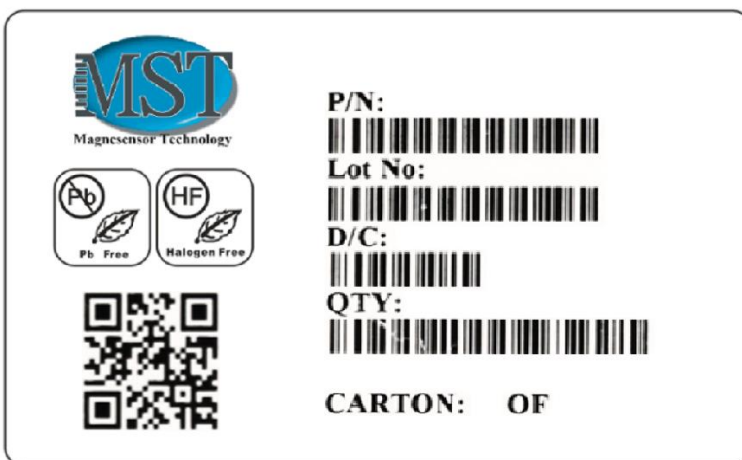
ST/SQ/SD Carton label : Size:6cm* 9cm



UA Package Inner box label : Size:5cm*8cm



UA Carton label : Size:6cm* 9cm



Combine:

When combine lot, one reel could have two D/C and no more than two DC. One carton could have two devices, no more than two;