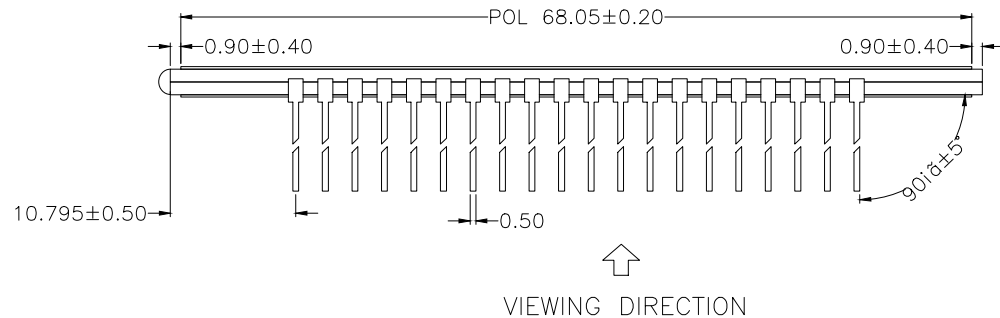
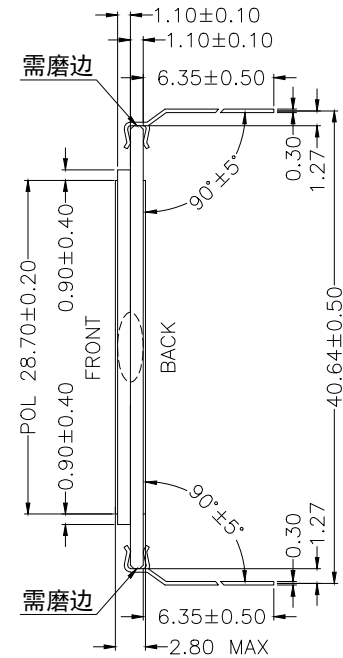
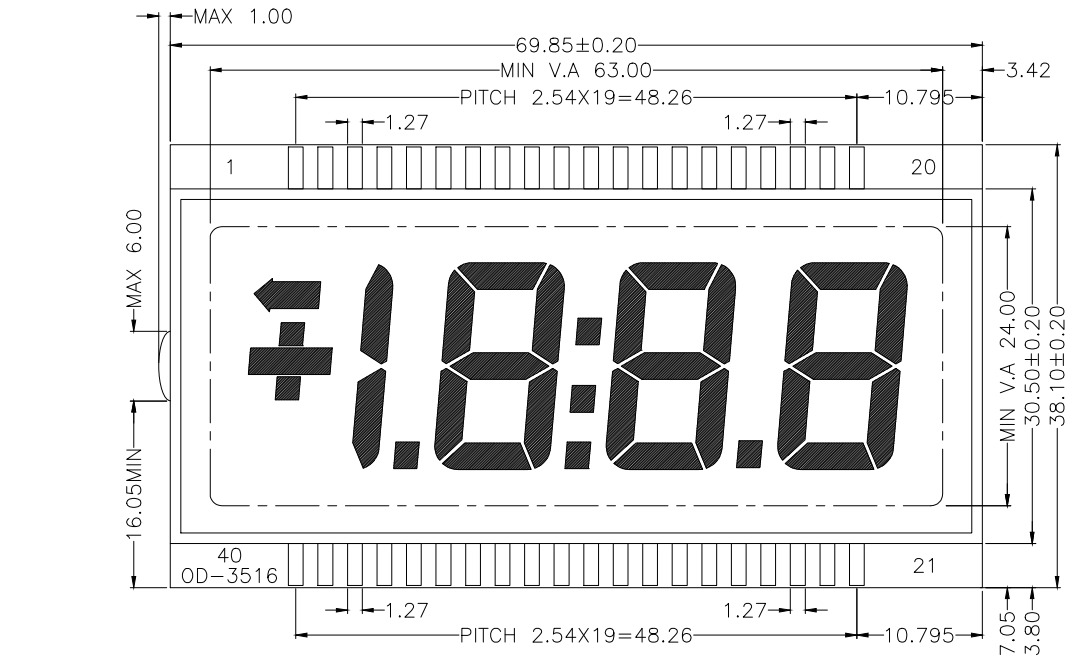


THIS DRAWING IS PROPERTY OF ORIENT DISPLAY. ALL RIGHTS RESERVED.

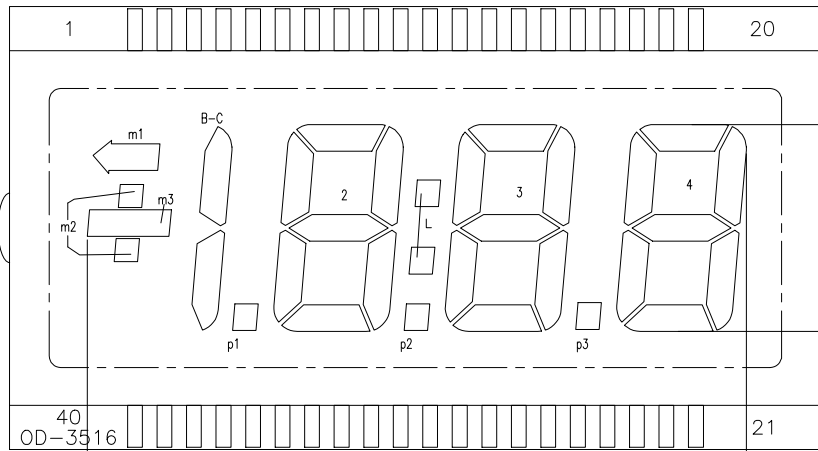
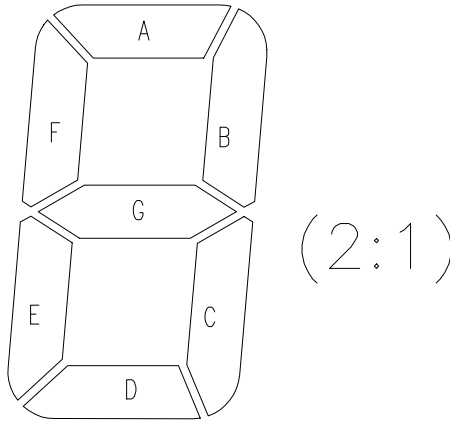
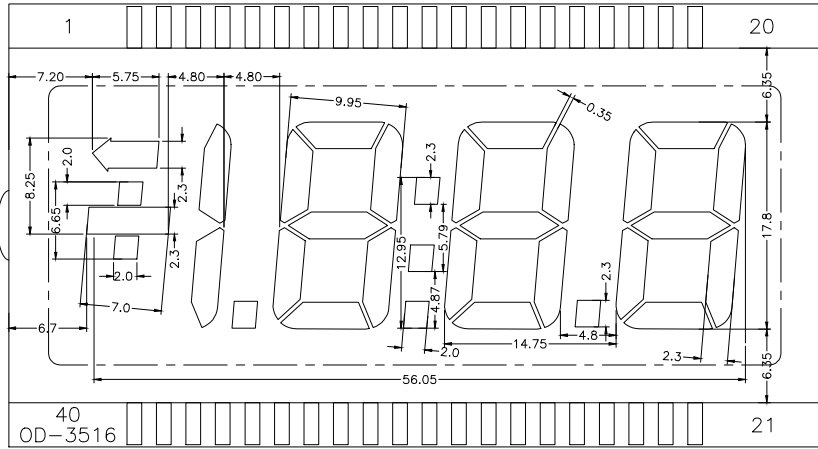
ITEM	PARAMETERS	ITEM	PARAMETERS	ITEM	PARAMETERS	ITEM	PARAMETERS
DISPLAY TYPE	TN, POSITIVE	VIEWING DIRECTION	6.0° CLOCK	LCD OPERATING VOLTAGE	5.0V	IC	--
DRIVING METHOD	STATIC	OPERATION TEMPERATURE	-20°C TO 70°C	LOGIC VOLTAGE(VDD)	--	BACKLIGHT	/
POLARIZER TYPE	TRANSFLECTIVE	STORAGE TEMPERATURE	-30°C TO 80°C	SURFACE LUMINANCE	--	CONNECTOR	PIN



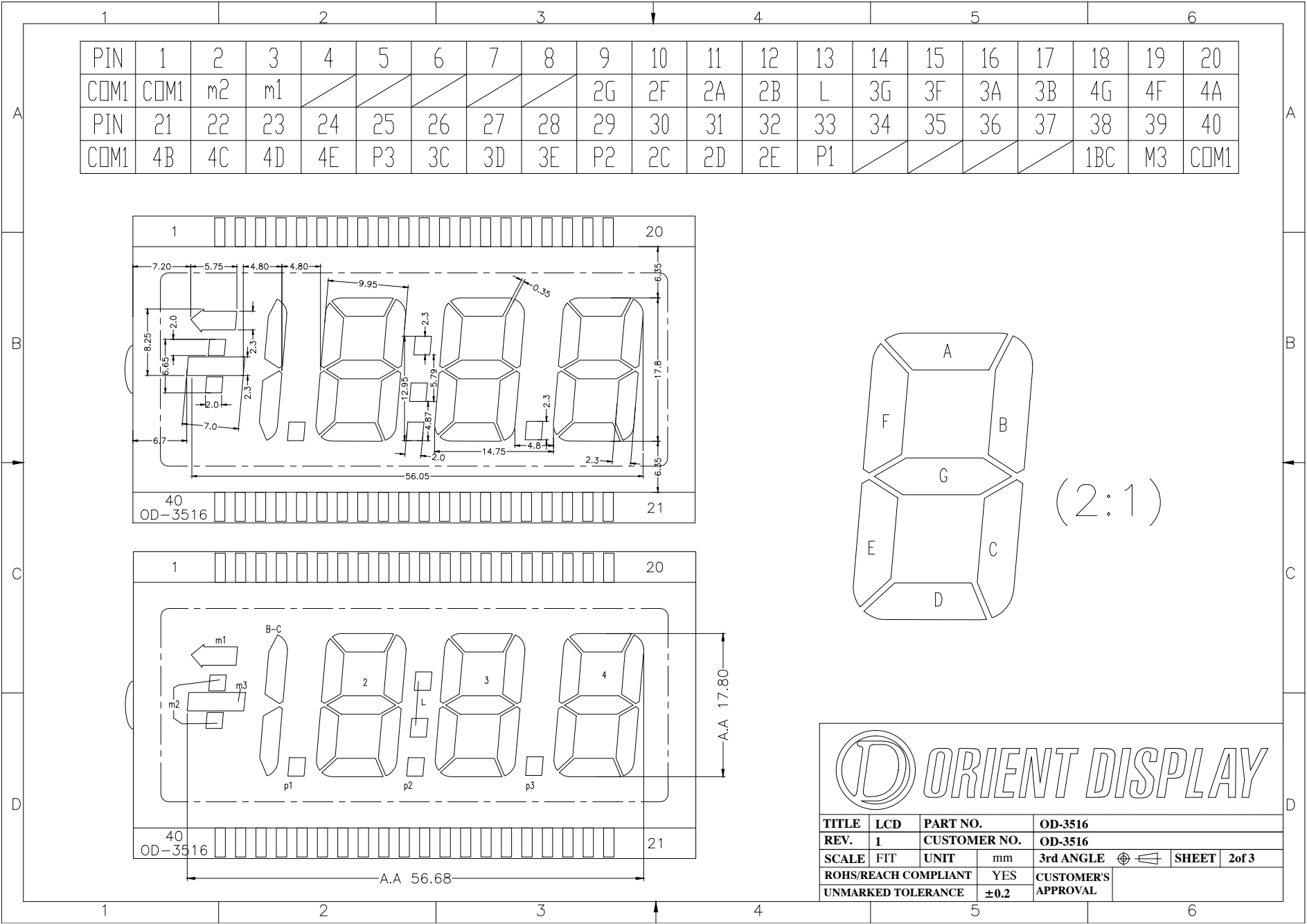
TITLE	LCD	PART NO.	OD-3516
REV.	1	CUSTOMER NO.	OD-3516
SCALE	FIT	UNIT	mm
ROHS/REACH COMPLIANT	YES	CUSTOMER'S APPROVAL	
UNMARKED TOLERANCE	±0.2		

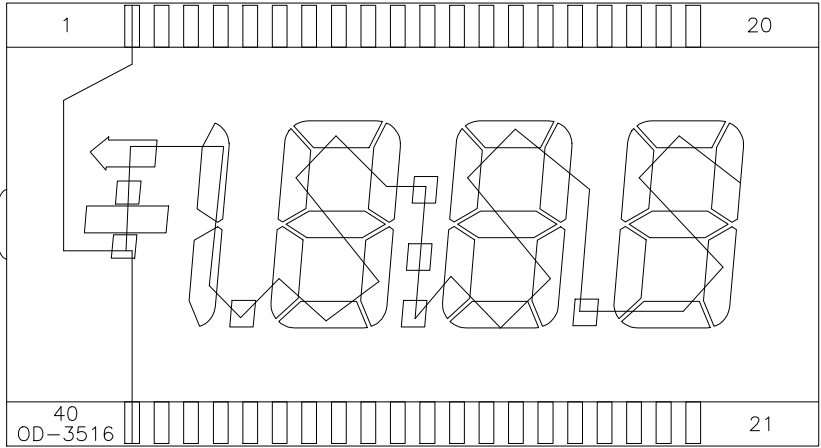
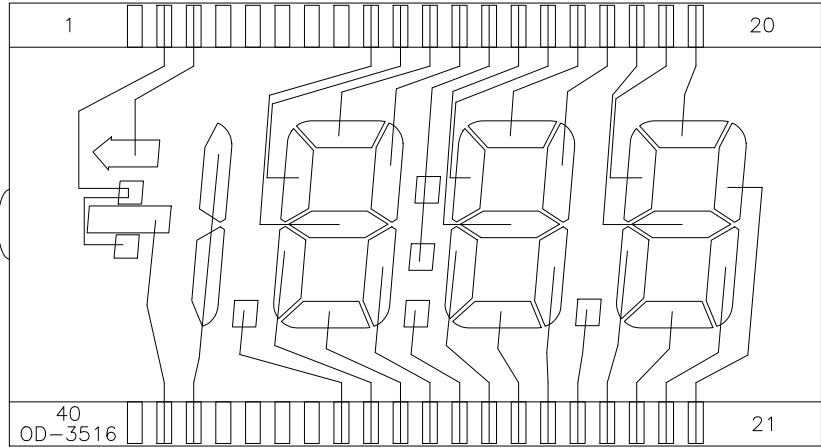
01	改封口尺寸		Feb-15		
REV.	SYMBOL	DESCRIPTION	DATE		

PIN	1	2	3	4	5	6	7	8	9	10	11	12	13	14	15	16	17	18	19	20
COM1	COM1	m2	m1	/	/	/	/	/	2G	2F	2A	2B	L	3G	3F	3A	3B	4G	4F	4A
PIN	21	22	23	24	25	26	27	28	29	30	31	32	33	34	35	36	37	38	39	40
COM1	4B	4C	4D	4E	P3	3C	3D	3E	P2	2C	2D	2E	P1	/	/	/	/	1BC	M3	COM1



TITLE	LCD	PART NO.	OD-3516	
REV.	1	CUSTOMER NO.	OD-3516	
SCALE	FIT	UNIT	mm	3rd ANGLE
ROHS/REACH COMPLIANT	YES	CUSTOMER'S APPROVAL		
UNMARKED TOLERANCE	±0.2			





SEG

COM



TITLE	LCD	PART NO.	OD-3516		
REV.	1	CUSTOMER NO.	OD-3516		
SCALE	FIT	UNIT	mm	3rd ANGLE	SHEET 3 of 3
ROHS/REACH COMPLIANT	YES		CUSTOMER'S APPROVAL		
UNMARKED TOLERANCE	±0.2				