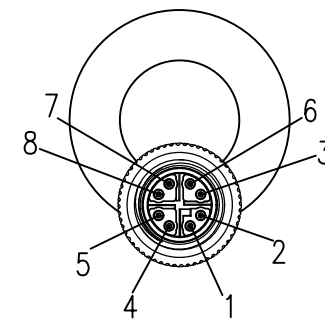
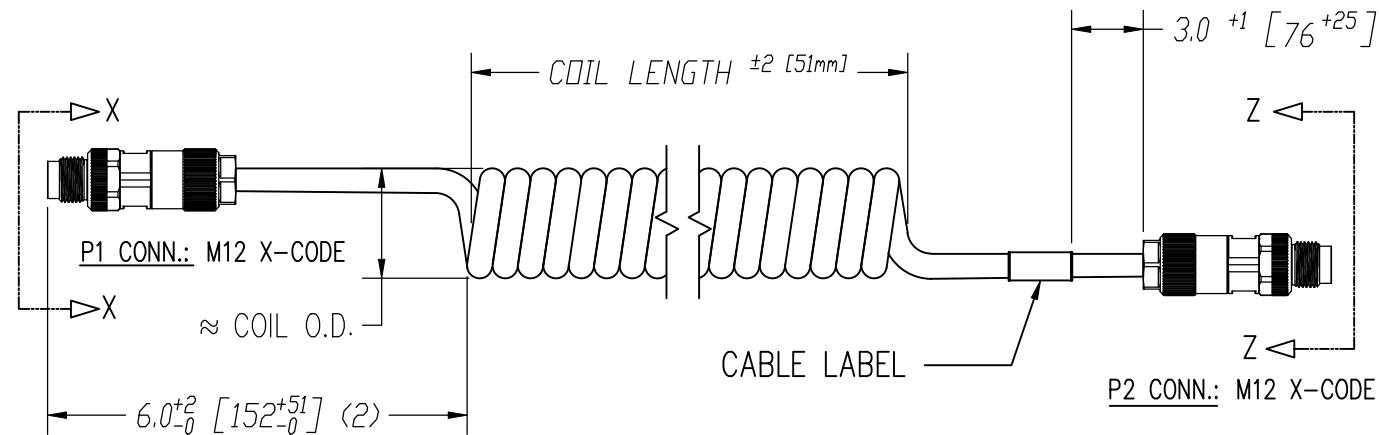


VIEW X-X
SCALE 1:1
PER EIA/TIA 568B



VIEW Z-Z
SCALE 1:1
PER EIA/TIA 568B

DATE	REV	ECN	APP'D. BY
09/08/21	A0	11830	ADB
09/16/21	A1	11846	ADB
09/23/21	A2	11849	ADB
12/13/22	A3	12082	GWL

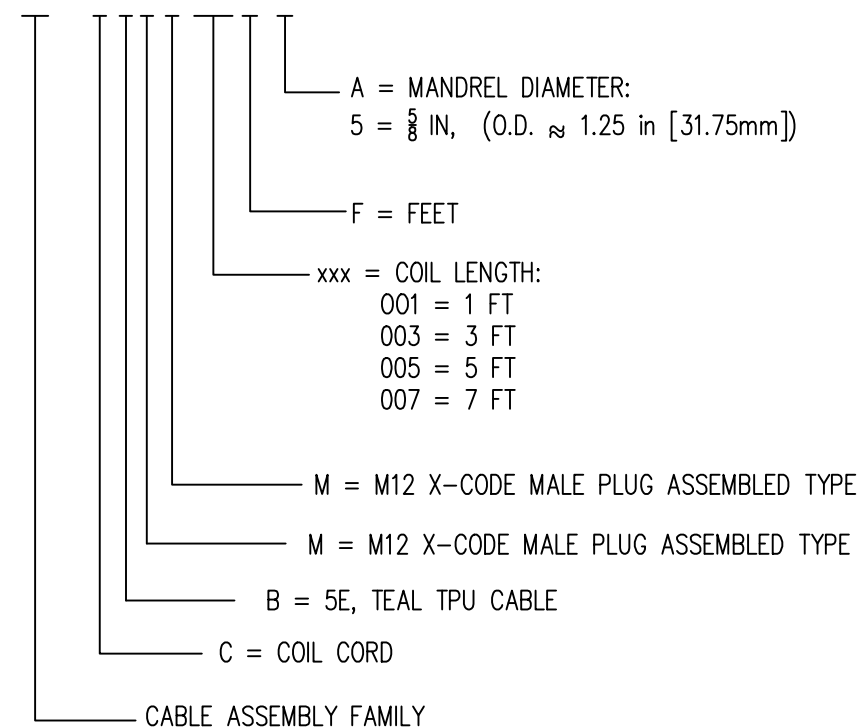
NOTES:

- M12 CONNECTOR COMPONENTS:
HOUSING: THERMOPLASTIC UL94 V-0
CONTACTS: COPPER ALLOY
SHELL: COPPER ALLOYS AND ZINC ALLOY
SEALING: NBR
CONTACT PLATING: UNDERPLATE: 50u"~70u" NICKEL
CONTACT AREA: 10u" GOLD

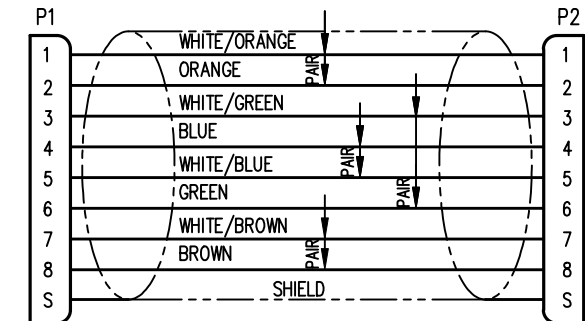
CABLE CONSTRUCTION:
CONDUCTOR: 26 AWG 7/34 STRANDED TINNED COPPER
INSULATION: HIGH DENSITY POLYETHYLENE
CABLE: (4) TWISTED PAIRS TWISTED TOGETHER AND WRAPPED WITH
A FOAM POLYPROPYLENE TAPE TO FORM CABLE CORE
SHIELD: 38 AWG TINNED COPPER BRAID OVER CABLE CORE. A SECOND
SHIELD OF ALUMINIZED POLYESTER FOIL OVER BRAID
JACKET: ZHFR POLYURETHANE, TEAL, .261 DIAMETER.
NOMINAL PULL FORCE OF COIL**: $F(\text{LBS}) = (1.35 * X) - 1.00$
 $X = (\text{EXPANDED LENGTH}) / (\text{CONTRACTED LENGTH})$
- ELECTRICAL TESTING:
100% TRANSMISSION TESTED FOR CAT 5E CHANNEL PERFORMANCE,
WIRE MAP, CONTINUITY, SHORTS, DWV AT 500 VDC
- PACKAGING:
ONE CABLE PER BAG

P/N STRUCTURE:

BM-CBMMxxxFA



PIN ASSIGNMENT



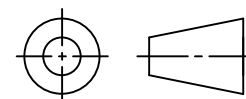
568B STANDARD WIRING MAP

PIN NUMBER / WIRE COLOR CROSS REFERENCE		
IEC 61076-2-109	TIA/EIA 568B	WIRE COLOR
1	1	WHITE-ORANGE
2	2	ORANGE
3	3	WHITE-GREEN
4	6	GREEN
5	7	WHITE-BROWN
6	8	BROWN
7	5	WHITE-BLUE
8	4	BLUE

PART NUMBERS REFERENCE TABLE			
PART NUMBER	COIL LENGTH	MAX EXT LENGTH	≈ COIL O.D.
BM-CBMM001F5	1 FT [.3M]	6 FT [1.8M]	1.25 IN [31.75mm]
BM-CBMM003F5	3 FT [.9M]	18 FT [5.5M]	1.25 IN [31.75mm]
BM-CBMM005F5	5 FT [1.5M]	30 FT [9.1M]	1.25 IN [31.75mm]
BM-CBMM007F5	7 FT [2.1M]	42 FT [12.8M]	1.25 IN [31.75mm]

** USE FOR APPROXIMATION ONLY. VALIDATION BASED ON 1 FT LONG COIL BODY 1.25 O.D

THIRD ANGLE PROJECTION



DO NOT SCALE DRAWING
DRAWING IS SUBJECT TO CHANGE WITHOUT NOTICE

DIMENSIONS: INCHES [METRIC]
UNLESS OTHERWISE SPECIFIED TOLERANCES ARE ±.008 [0.20] ANGLES ARE ± 1°

SHEET NO. 1 OF 1



11118 Susquehanna Trail South
Glen Rock, PA 17327-9199
(717) 235-7512

<http://www.stewartconnector.com>

TITLE: M12 X-CODE MALE TO M12 X-CODE MALE COIL CORD

THIS DRAWING AND THE SUBJECT MATTER SHOWN THEREON ARE CONFIDENTIAL AND THE PROPRIETARY PROPERTY OF STEWART CONNECTOR AND SHALL NOT BE REPRODUCED, COPIED, OR USED IN ANY MANNER WITHOUT PRIOR WRITTEN CONSENT OF STEWART CONNECTOR. ONE OR MORE U.S. PATENTS MAY APPLY TO THIS PRODUCT. FOR DETAILS, PLEASE VISIT: [HTTP://BELFUSE.COM/STEWART/STEWART_PATENTS/](http://BELFUSE.COM/STEWART/STEWART_PATENTS/)

DRN BY: GWL	DATE 02-19-21
APPD BY: ADB	DATE 09-08-21
DWG NO. CT999249	REV. A3

