

BEDC106NN00001200000 ✓ ACTIVE

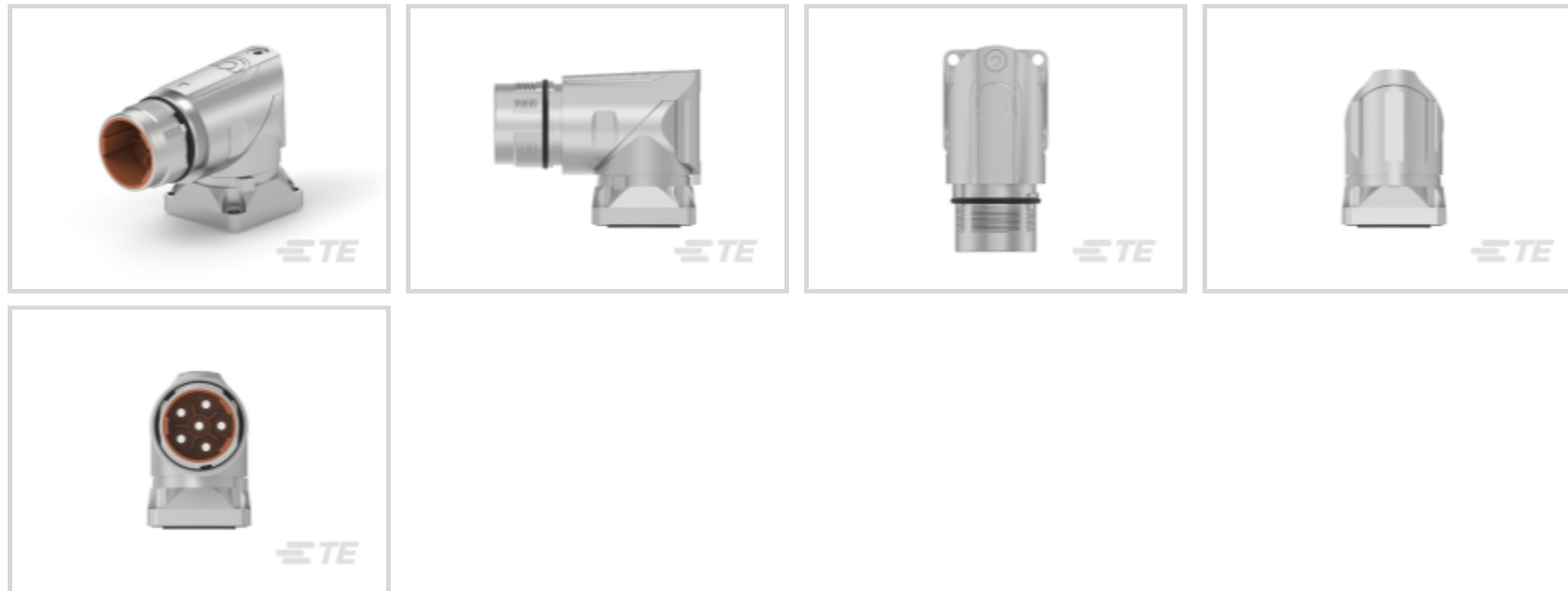
TE Internal #: BGC106N00001200000

Standard Circular Connectors, Cable-to-Panel, Power, Panel Mount, Blue Chromium, Zinc Alloy, PBT+PA, Size 23, Shielded, Receptacle, Metal

[View on TE.com >](#)



Connectors > Circular Connectors > Standard Circular Connectors



Connector System: **Cable-to-Panel**

Sealable: **No**

Circuit Application: **Power**

Connector Mounting Type: **Panel Mount**

Shell Plating Material: **Blue Chromium**

Features

Product Type Features

Product Type	Connector Assembly
Connector System	Cable-to-Panel
Sealable	No
Circular Connector Type	Receptacle
Shell Type	Metal

Electrical Characteristics

Operating Voltage	630 VAC
-------------------	---------

Body Features

Environmental Protection	IP67
Shell Plating Material	Blue Chromium
Shell Base Material	Zinc Alloy
Circular Connector Insulation Material Type	PBT+PA

Mechanical Attachment

Mating Retention Type	Speedtec (Triple Start Threaded)
-----------------------	----------------------------------



Panel Mount Feature Type	Flange with Mounting Holes
--------------------------	----------------------------

Connector Mounting Type	Panel Mount
-------------------------	-------------

Housing Features

Circular Connector Shell Size	23
-------------------------------	----

Usage Conditions

Operating Temperature Range	-20 – 130 °C[-4 – 266 °F]
-----------------------------	---------------------------

Operation/Application

Durability Rating	500 Cycles
-------------------	------------

Circuit Application	Power
---------------------	-------

Shielded	Yes
----------	-----

Industry Standards

UL Flammability Rating	UL 94V-0
------------------------	----------

Approved Standards	UL
--------------------	----

Product Compliance

[For compliance documentation, visit the product page on TE.com>](#)

EU RoHS Directive 2011/65/EU	Compliant with Exemptions
------------------------------	---------------------------

EU ELV Directive 2000/53/EC	Compliant with Exemptions
-----------------------------	---------------------------

China RoHS 2 Directive MIIT Order No 32, 2016	Restricted Materials Above Threshold
---	--------------------------------------

EU REACH Regulation (EC) No. 1907/2006	<p>Current ECHA Candidate List: JUNE 2023 (235)</p> <p>Candidate List Declared Against: JUNE 2023 (235)</p> <p>SVHC > Threshold:</p> <p>Pb (3.5% in Component)</p> <p>Article Safe Usage Statements: Do not eat, drink or smoke when using this product. Wash thoroughly after handling. Recycle if possible and dispose of the article by following all applicable governmental regulations relevant to your geographic location.</p>
--	--

Halogen Content	Low Halogen - Br, Cl, F, I < 900 ppm per homogenous material. Also BFR/CFR/PVC Free
-----------------	---

Solder Process Capability	Not reviewed for solder process capability
---------------------------	--

Product Compliance Disclaimer

This information is provided based on reasonable inquiry of our suppliers and represents our current actual knowledge based on the information they provided. This information is subject to change. The part numbers that TE has identified as EU RoHS compliant have a maximum concentration of 0.1% by weight in homogenous materials for lead, hexavalent chromium, mercury, PBB, PBDE, DBP, BBP, DEHP, DIBP, and 0.01% for cadmium, or qualify for an exemption to these limits as defined in the Annexes of Directive 2011/65/EU (RoHS2). Finished electrical and electronic equipment products will be CE marked as required by Directive 2011/65/EU. Components may not be CE marked. Additionally, the part

numbers that TE has identified as EU ELV compliant have a maximum concentration of 0.1% by weight in homogenous materials for lead, hexavalent chromium, and mercury, and 0.01% for cadmium, or qualify for an exemption to these limits as defined in the Annexes of Directive 2000/53/EC (ELV). Regarding the REACH Regulation, the information TE provides on SVHC in articles for this part number is based on the latest European Chemicals Agency (ECHA) 'Guidance on requirements for substances in articles' posted at this URL: <https://echa.europa.eu/guidance-documents/guidance-on-reach>

Compatible Parts




TE Part # BSA085N00480235000
923 PLUG



TE Part # C0-0004-000-000
POSITIONING INSERT FOR 2 MM CONTACTS



TE Part # C0-0201-000-000
CRIMPING TOOL MID-SIZE



TE Part # C0-0236-000-000
DIGITAL CRIMPING TOOL, MID SIZE

Customers Also Bought



TE Part #61-0006-011-000
CONTACT PIN 1 MM



TE Part #AGC000N00001200000
623 RECEPTACLE ANGLED ROTATABLE



TE Part #AEA000N00000200000
623 RECEPTACLE, SPEEDTEC-READY



TE Part #BGC110N00001200000
923 RECEPTACLE, ANGLED, ROTATABLE



TE Part #CEA270N00000051000
940 RECEPTACLE, SPEEDTEC-READY




TE Part #HGE502N0000100P000
740 RECEPTACLE ANGLED, SPEEDTEC



TE Part #BEA116N00000201000
923 RECEPTACLE, SPEEDTEC-READY



TE Part #BEA120M11000200000
923 RECEPTACLE, SPEEDTEC-READY



TE Part #40-0948-000-000
623 INSULATION INSERT, 17-PIN



TE Part #8B-0089-000-000
723 HTEC PROTECTION CAP

Documents

[Product Drawings](#)



923 RECEPTACLE, ANGLED, ROTATABLE

English

CAD Files

3D PDF

3D

Customer View Model

[ENG_CVM_CVM_BGC106N00001200000_A.2d_dxf.zip](#)

English

Customer View Model

[ENG_CVM_CVM_BGC106N00001200000_A.3d_igs.zip](#)

English

Customer View Model

[ENG_CVM_CVM_BGC106N00001200000_A.3d_stp.zip](#)

English

By downloading the CAD file I accept and agree to the [Terms and Conditions](#) of use.

Datasheets & Catalog Pages

BGC106N00001200000

English

[fuer Datenblaetter, die online konfigurierbar sind](#)

German

923 Receptacle BEDC106NN00001200000

English

Product Specifications

German