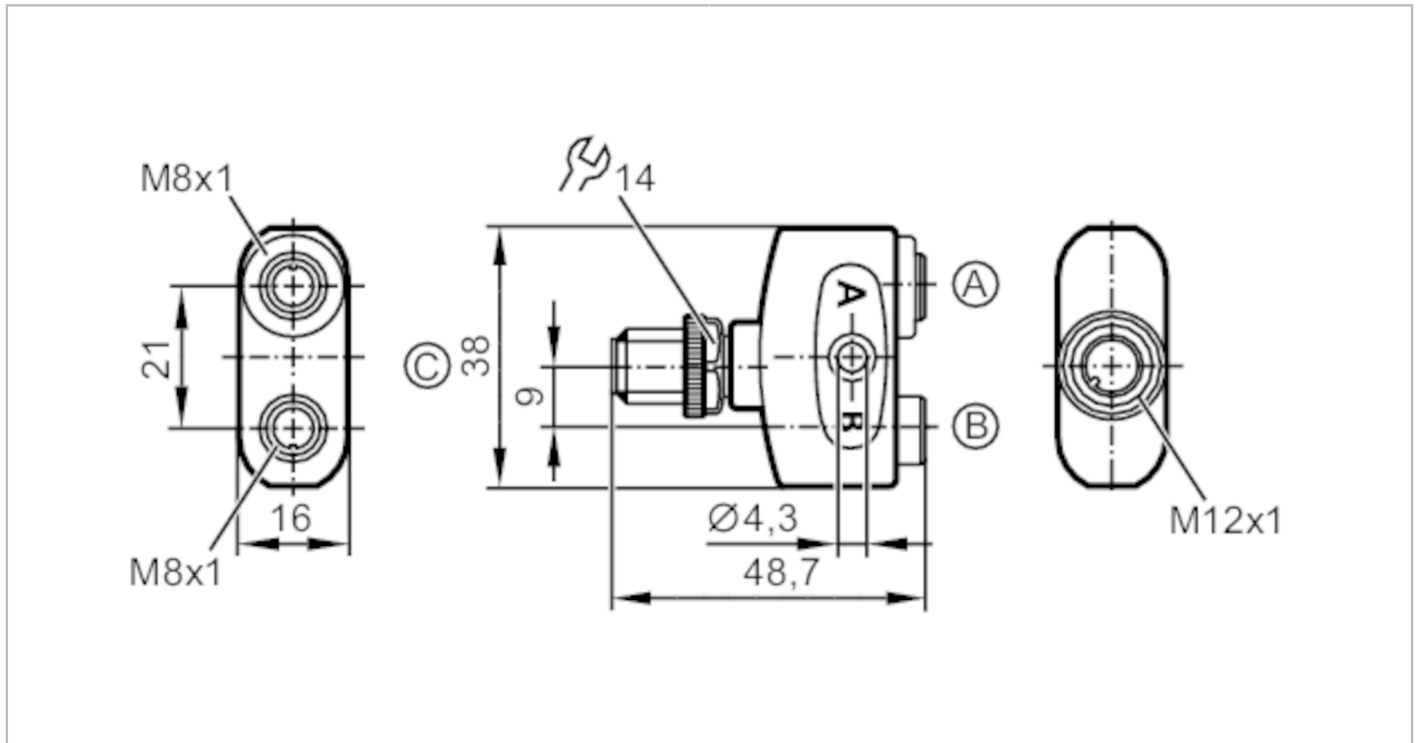


EBC112



Y-splitter

ZDO2F030MSS0000-00STGH040MSS



Application		
Special feature	Free from silicone; Gold-plated contacts	
Free from silicone	yes	
Electrical data		
Operating voltage	[V]	< 50 AC / < 60 DC; (cULus: 30 AC / 42 DC)
Protection class		III
Max. current load total	[A]	3
Operating conditions		
Ambient temperature	[°C]	-25...90
Note on ambient temperature		cULus: ...65 °C
Protection		IP 65; IP 67; IP 68; IP 69K
Tests / approvals		
UL approval	power supply	Class 2
	File number UL	E191684
Mechanical data		
Weight	[g]	30.2
Materials		housing: PA orange; Sealing: FKM
Material nut		brass, nickel-plated
Remarks		
Pack quantity		1 pcs.

EBC112



Y-splitter

ZDO2F030MSS0000-00STGH040MSS

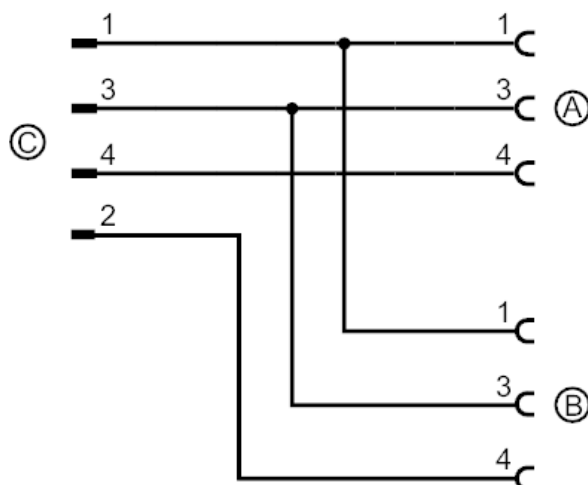
Electrical connection - plug

Connector: 1 x M12; coding: A; Locking: brass, nickel-plated; Contacts: gold-plated; Tightening torque: 0.6...1.5 Nm



Electrical connection

Connection



Electrical connection - socket

Connector: 2 x M8; coding: A; Locking: brass, nickel-plated; Contacts: gold-plated; Tightening torque: 0.3...0.5 Nm

