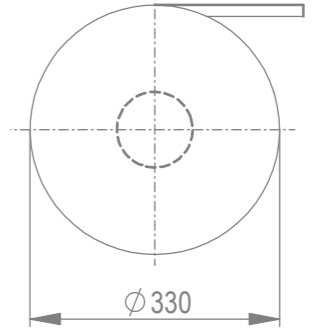
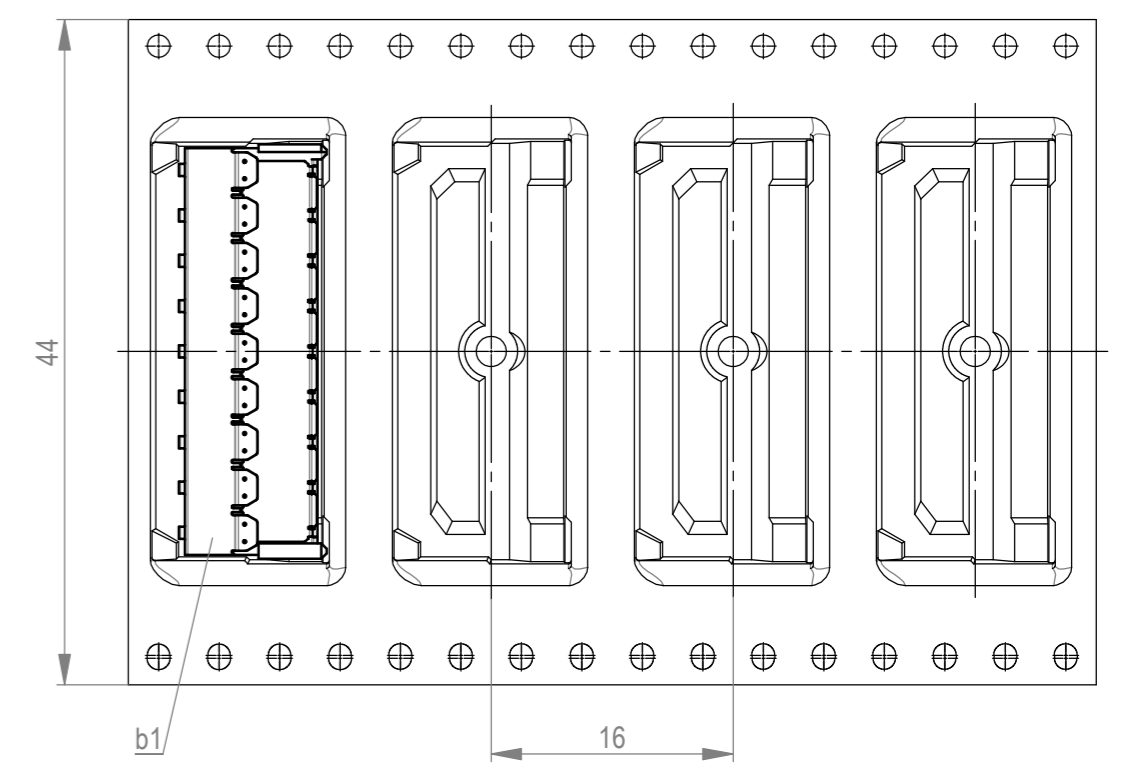


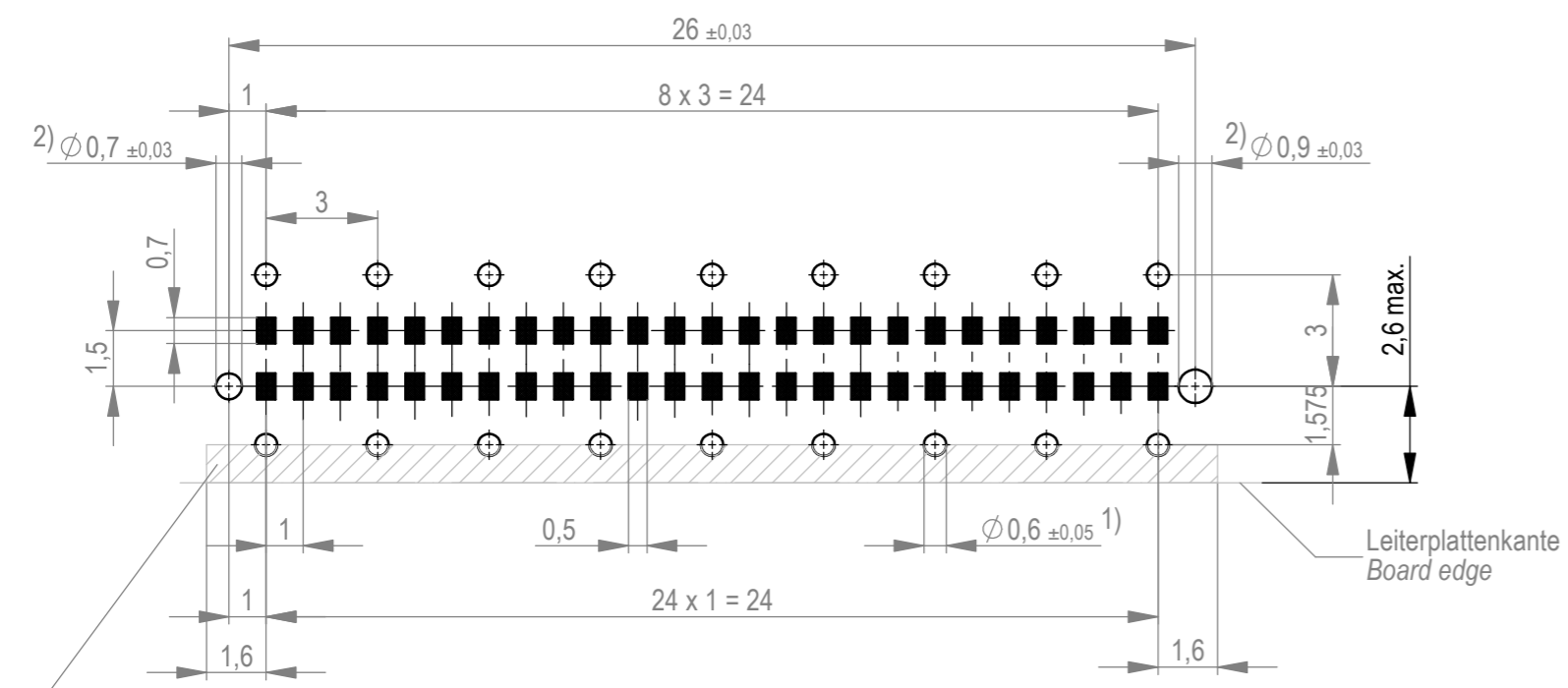
Verpackt im Gurt in Anlehnung an DIN IEC 60286-3  
 tape on reel packaging according to DIN IEC 60286-3  
 Verpackungseinheit: 500 Stück  
 packaging unit: 500 pcs



Abspulrichtung - reel off direction →



Leiterplatten-Layout Vorschlag / PCB-layout proposal



Schirmblechauflagefläche berücksichtigen,  
 keine Durchkontaktierungen oder Leitungen möglich!  
 Consider shielding contact area, no vias or traces possible!

- 1) Fertigllochdurchmesser / Finished Via diameter
- 2) Durchmesser des Bohrers / Drill tool

Anforderungsstufe 1  
 performance level 1

Kontaktbereich vergoldet  
 mating area gold plating

Anschlussbereich verzinkt 4-6 µm  
 terminal area 4-6 µm tin plating

Koplanarität der Anschlüsse ≤ 0,1 mm  
 coplanarity area of termination ≤ 0,1 mm

Dimension no.	Tolerances		Scale	5:1
	ISO 8015	All Dimensions in mm	Material	
Customer drawing:	Subject to modification without prior notice. Drawing will not be updated.		Federl. 90° SMDTHR 50p. BM EMV Female 90° SMDTHR 50co. BM EMV	
This Drawing is a controlled Document.			C-374720-E	
g1	18.05.2023		TE Connectivity	C
Index	Date	Class		A2
		MSPEED		

Die deutsche Version dieser Zeichnung dient nur zur Einweisung der Handlung. Bei Abweichungen vom englischen Original gilt das englische Original. / This drawing has been created for convenience only and may deviate from the original. / In case of any deviation the English version shall prevail. / We reserve the right to change the design without notice. / All rights reserved for the benefit of the grant of a patent, utility model or design. / We reserve the right to change the design without notice. / All rights reserved for the benefit of the grant of a patent, utility model or design.