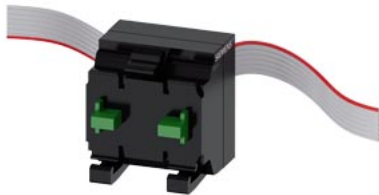


SIRIUS ACT: terminal module (command module) for front plate mounting



<b>product brand name</b>	SIRIUS ACT
<b>product designation</b>	Terminal module
<b>design of the product</b>	with 2 contacts
<b>product type designation</b>	3SU1
<b>Display</b>	
<b>display version</b>	
<ul style="list-style-type: none"> <li>for diagnostic function: Supply voltage monitoring power LED</li> </ul>	Yes
<ul style="list-style-type: none"> <li>status Tx/Rx link</li> </ul>	No
<b>General technical data</b>	
<b>product function</b>	
<ul style="list-style-type: none"> <li>reverse polarity protection</li> </ul>	Yes; Ribbon cable can be rotated 180°.
<ul style="list-style-type: none"> <li>diagnostics function</li> </ul>	Yes
<b>firmware version</b>	1.0.0
<b>hardware version</b>	1
<b>software version with STEP 7 in the TIA Portal required</b>	V13 SP1 (V13 SP1 and V14 with HSP0132)
<b>power loss [W] typical</b>	0.115 W
<b>degree of pollution</b>	3
<b>type of voltage</b>	
<ul style="list-style-type: none"> <li>of the operating voltage</li> </ul>	DC
<ul style="list-style-type: none"> <li>of the input voltage</li> </ul>	DC
<b>surge voltage resistance rated value</b>	0.8 kV
<b>consumed current</b>	
<ul style="list-style-type: none"> <li>maximum</li> </ul>	27 mA
<ul style="list-style-type: none"> <li>rated value</li> </ul>	23 mA
<b>protection class IP</b>	IP20
<b>shock resistance</b>	
<ul style="list-style-type: none"> <li>according to IEC 60068-2-27</li> </ul>	sinusoidal half-wave 15g / 11 ms
<ul style="list-style-type: none"> <li>for railway applications according to EN 61373</li> </ul>	Category 1, Class B
<b>vibration resistance</b>	
<ul style="list-style-type: none"> <li>according to IEC 60068-2-6</li> </ul>	10 ... 500 Hz: 5g
<ul style="list-style-type: none"> <li>for railway applications according to EN 61373</li> </ul>	Category 1, Class B
<b>reference code according to IEC 81346-2</b>	K
<b>Substance Prohibitance (Date)</b>	12/19/2016
<b>SVHC substance name</b>	Blei - 7439-92-1 Bleimonoxid (Bleioxid) - 1317-36-8 2-Methyl-1-(4-methylthiophenyl)-2-morpho - 71868-10-5
<b>Communication/ Protocol</b>	
<b>protocol is supported</b>	
<ul style="list-style-type: none"> <li>PROFIsafe protocol</li> </ul>	No
<b>Connections/ Terminals</b>	

<b>type of electrical connection</b>	Insulation displacement connection
<b>type of connectable conductor cross-sections</b>	Ribbon cable 7-pole, 7 x 0.08 mm <sup>2</sup>
<b>connectable conductor cross-section for auxiliary contacts</b>	
• solid or stranded	0.08 ... 0.08 mm <sup>2</sup>
• finely stranded with core end processing	0.08 mm <sup>2</sup>
<b>connectable conductor cross-section</b>	
• solid	0.08 ... 0.08 mm <sup>2</sup>
• solid with core end processing	0.08 ... 0.08 mm <sup>2</sup>
• finely stranded with core end processing	0.08 ... 0.08 mm <sup>2</sup>
• finely stranded without core end processing	0.08 ... 0.08 mm <sup>2</sup>
<b>AWG number as coded connectable conductor cross section</b>	28 ... 28

#### Safety related data

<b>service life maximum</b>	20 a
-----------------------------	------

#### Ambient conditions

<b>ambient temperature</b>	
• during operation	-25 ... +60 °C
• during storage	-40 ... +80 °C
environmental category during operation according to IEC 60721	3M6, 3S2, 3B2, 3K6 (with relative air humidity of 10 ... 95%, no condensation in operation permitted)
<b>explosion protection marking for intrinsic safety of related equipment EEx ia</b>	No
<b>explosion protection marking for intrinsic safety of related equipment EEx ib</b>	No

#### Environmental footprint

Environmental Product Declaration(EPD)	Yes
Global Warming Potential [CO2 eq] total	0.787 kg
Global Warming Potential [CO2 eq] during manufacturing	0.566 kg
Global Warming Potential [CO2 eq] during operation	0.235 kg
global warming potential [CO2 eq] after end of life	-0.015 kg

#### Installation/ mounting/ dimensions

fastening method of modules and accessories	Front plate mounting
<b>height</b>	32.6 mm
<b>width</b>	30 mm
<b>depth</b>	31.5 mm

#### Approvals Certificates

<b>General Product Approval</b>	<b>Test Certificates</b>
---------------------------------	--------------------------



[Confirmation](#)



[Type Test Certificates/Test Report](#)

<b>Test Certificates</b>	<b>other</b>
--------------------------	--------------

[Special Test Certificate](#)

[Confirmation](#)

#### Further information

**Siemens has decided to exit the Russian market (see here).**  
<https://press.siemens.com/global/en/pressrelease/siemens-wind-down-russian-business>

**Siemens is working on the renewal of the current EAC certificates.**

Please contact your local Siemens office on the status of validity of the EAC certification if you intend to import or offer to supply these products to an EAC relevant market (other than the sanctioned EAEU member states Russia or Belarus).

**Information on the packaging**

<https://support.industry.siemens.com/cs/ww/en/view/109813875>

**Information- and Downloadcenter (Catalogs, Brochures,...)**

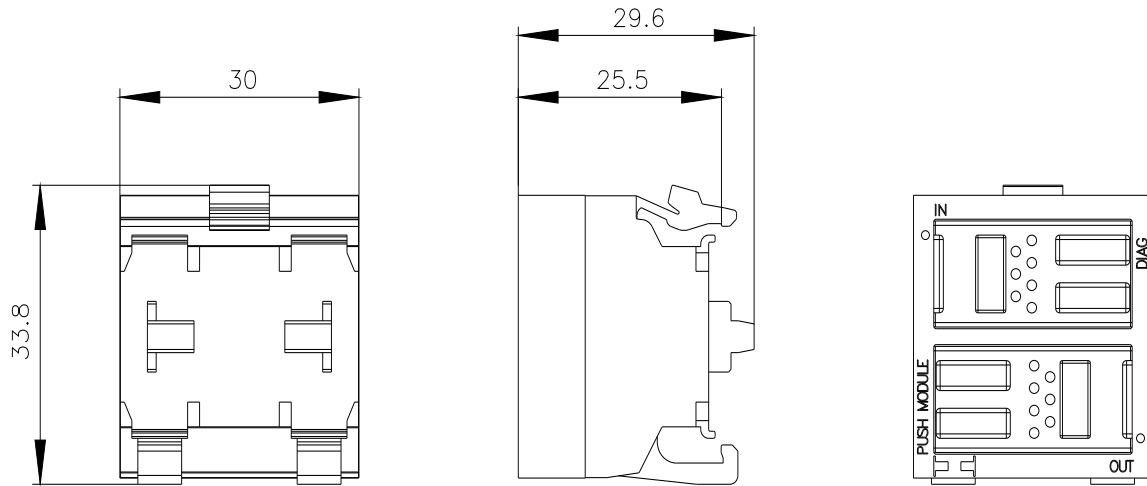
<https://www.siemens.com/ic10>

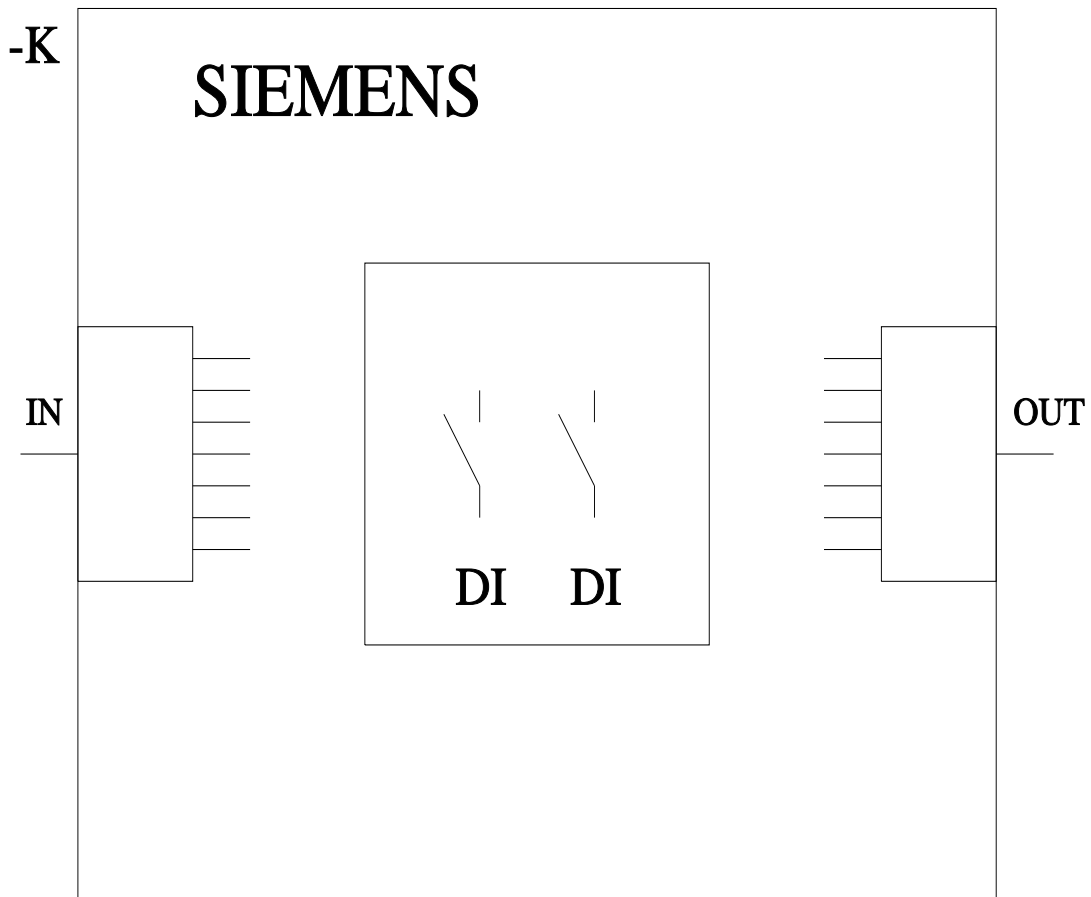
**Industry Mall (Online ordering system)**

<https://mall.industry.siemens.com/mall/en/en/Catalog/product?mlfb=3SU1400-1MA10-1BA1>

**Cax online generator**

<http://support.automation.siemens.com/WW/CAXorder/default.aspx?lang=en&mlfb=3SU1400-1MA10-1BA1>





last modified:

11/9/2023 