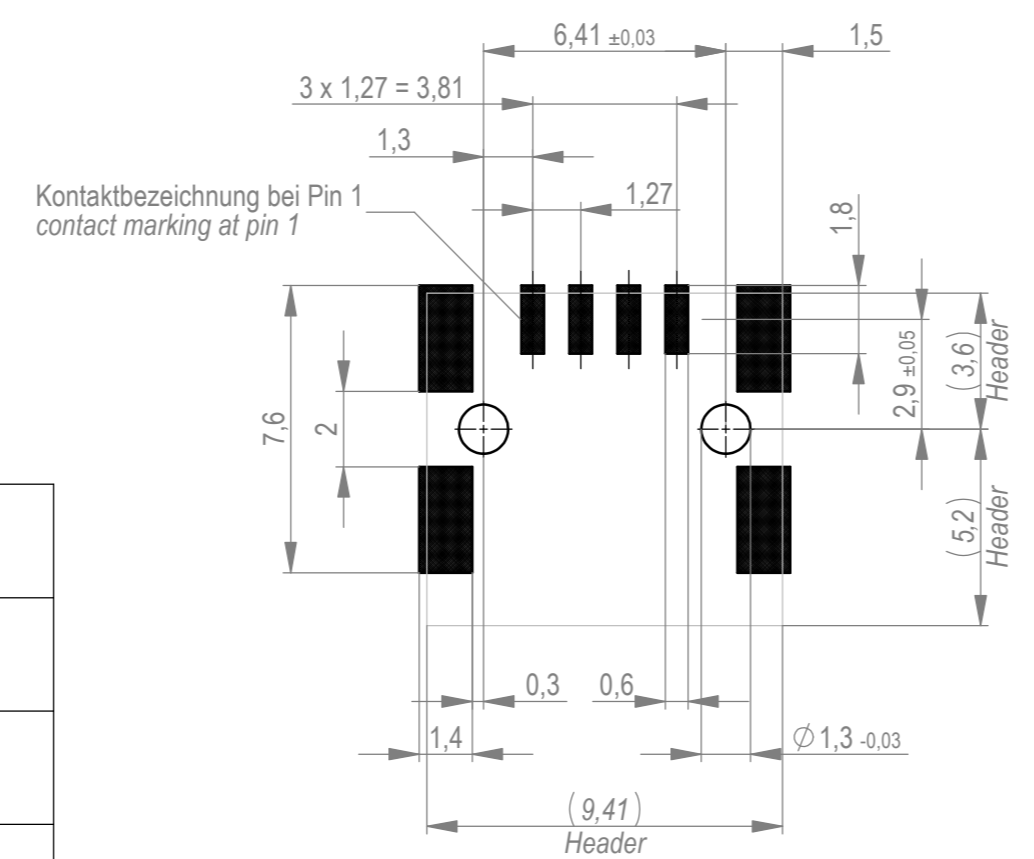
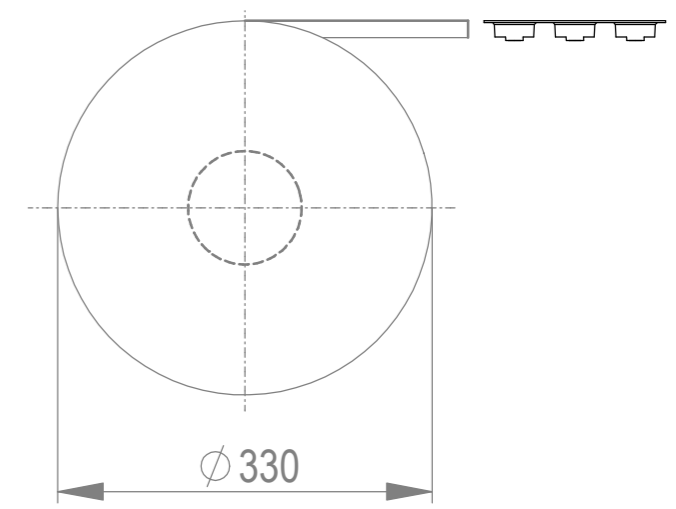


Sperrfläche für Leiterbahnen gültig bei Verwendung von Gegenstecker Federleiste 90° in IDC Ausführung  
 Restricted area for conductors valid for use by mating female connector 90° in IDC version

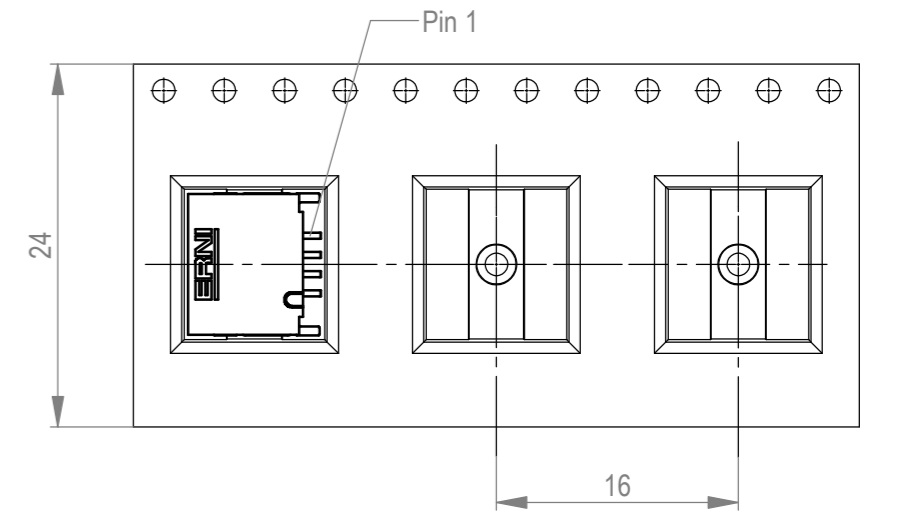
Layoutvorschlag  
 recommended layout



Verpackt im Gurt in Anlehnung an DIN IEC 60286-3  
 tape on reel packaging according to DIN IEC 60286-3  
 Verpackungseinheit: 900 Stück  
 packaging unit: 900 pcs



Abspulrichtung - reel off direction



Anforderungsstufe 1  
 performance level 1

Kontaktbereich vergoldet  
 mating area gold plating

Anschlussbereich verzinkt 4-6 µm  
 terminal area 4-6 µm tin plating

Koplanarität der Anschlüsse ≤ 0,1 mm  
 coplanarity area of termination ≤ 0,1 mm

504258-E		rot red	1,5	
504257-E		grün green	1,5	
504256-E		blau blue	0,5	
504255-E		schwarz black	0,5	
Ident-Nr. part-no.	Codierung coding	Farbe colour	A	Bemerkung remark

Dimension no.	Tolerances ISO 2768-FH ISO 8015		Scale 5:1 Material
Customer drawing: This Drawing is a controlled Document.	Subject to modification without prior notice. Drawing will not be updated.		ERNI-MicroBridge Male Angeled SMT 04-pin C-504254-E
d1 Index	21.05.2023 Date		Class MCBA

Wesentliche Version dieser Zeichnung dient zur Erreichung der...  
 This drawing is a controlled document. All rights reserved for the event of the grant of a patent, utility model or design.  
 In case of any deviation from the original, the manufacturer shall be held liable for the consequences.