

注記 NOTES

- ① 材質及び仕上げ (めっき仕様) : TABLE 1, TABLE 2 参照  
MATERIAL AND FINISHES (PLATING SPECIFICATION) : SEE TABLE 1, TABLE 2.
- ② 嵌合相手 : 505432シリーズ  
MATE WITH : 505432 SERIES
- ③ 端子テール部 及び ネイルの平坦度 : 0.12 MAXIMUM.  
TAIL AND NAIL COPLANARITY TO BE 0.12 MAXIMUM.
- ④ 極数 / 2 = 偶数に適用  
APPLY TO CIRCUIT SIZE / 2 = EVEN.
- ⑤ 製品仕様書 : 5054320000 PS 006  
PRODUCT SPECIFICATION : 5054320000 PS 006
- ⑥ 発注番号 : SHEET5,6参照  
ORDER NUMBER : PLEASE REFER TO SHEET 5,6



極数  
CIRCUIT SIZE

番号 NO.	接点部 金めっき厚 CONTACT GOLD PLATING THICKNESS [MICROMETER MINIMUM]	カバーテープ COVER TAPE
9	0.1	有 WITH
3	0.38	
5	0.76	
6	0.1	無 WITHOUT
2	0.38	
4	0.76	

505433 \*\*\*

番号 NO.	ハウジングカラー HOUSING COLOR
0	ナチュラル (ベージュ) NATURAL (BEIGE)
1	黒 BLACK
2	赤 RED
4	青 BLUE
6	緑 GREEN

7. コネクタ取扱説明書 : 5054320000-AS PS 000  
APPLICATION SPECIFICATION : 5054320000-AS PS 000

49.4	45.4	20.2	44±0.3	5	26.25	29.4	25	30.85	42
				25	28.15	23.75	29.6	40	
				23.75	26.9	22.5	28.35	38	
				22.5	25.65	21.25	27.1	36	
				21.25	24.4	20	25.85	34	
				20	23.15	18.75	24.6	32	
				18.75	21.9	17.5	23.35	30	
				17.5	20.65	16.25	22.1	28	
				16.25	19.4	15	20.85	26	
				37.4	33.4	14.2	32±0.3	4.2	15
13.75	16.9	12.5	18.35					22	
12.5	15.65	11.25	17.1					20	
11.25	14.4	10	15.85					18	
10	13.15	8.75	14.6					16	
8.75	11.9	7.5	13.35					14	
7.5	10.65	6.25	12.1					12	
6.25	9.4	5	10.85					10	
5	8.15	3.75	9.6					8	
J	H	G	F					E	D

① TABLE 1

番号 NO.	部品 PART	材質 MATERIAL
①	ハウジング HOUSING	ポリアミド(PA) UL94V-0 色 : SHEET 5,6参照 POLY AMIDE(PA) UL94V-0 COLOR : SEE SHEET 5,6
②	ターミナル TERMINAL	黄銅 BRASS 接点部 : 金めっき めっき厚は注記6参照 CONTACT : GOLD PLATING PLATING THICKNESS : SEE NOTE 6.
		ニッケルめっき (下地めっき) : 2.0 MICROMETER MINIMUM NICKEL PLATING (UNDER PLATING)
③	ネイル NAIL	黄銅 BRASS 錫ビスマスめっき : 1.0 MICROMETER MINIMUM TIN-BISMUTH PLATING
		ニッケルめっき (下地めっき) : 1.0 MICROMETER MINIMUM NICKEL PLATING (UNDER PLATING)
④	カバーテープ COVER TAPE	ポリイミド POLYIMIDE



THIS DRAWING CONTAINS INFORMATION THAT IS PROPRIETARY TO MOLEX ELECTRONIC TECHNOLOGIES, LLC AND SHOULD NOT BE USED WITHOUT WRITTEN PERMISSION

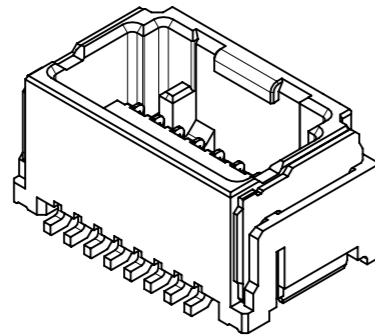
DIMENSION UNITS	SCALE	CURRENT REV DESC.
mm	NTS	
GENERAL TOLERANCES (UNLESS SPECIFIED)		
ANGULAR TOL	± 3.0°	
4 PLACES	± 0.2	EC NO: 736271
3 PLACES	± 0.2	DRWN: TENAGASE 2023/02/08
2 PLACES	± 0.2	CHK'D: SAKIYAMA 2023/02/16
1 PLACE	± 0.2	APPR: AIDA 2023/02/16
0 PLACES	± 0.2	INITIAL REVISION:
		DRWN: TENAGASE 2020/01/20
		APPR: KOMURAKAMI 2020/01/21
DRAFT WHERE APPLICABLE MUST REMAIN WITHIN DIMENSIONS		
THIRD ANGLE PROJECTION	DRAWING	SERIES
	A3-SIZE	505433
MATERIAL NUMBER		CUSTOMER
SEE SHEET 5,6		GENERAL
DOCUMENT NUMBER		DOC TYPE DOC PART REVISION
5054330003-SD		PSD 000 D
SHEET NUMBER		
1 OF 6		

**molex**  
MICRO-LOCK PLUS 1.25 W/B  
DUAL ROW VERTICAL SMT PLUG ASSEMBLY  
GOLD PLATING  
PRODUCT CUSTOMER DRAWING

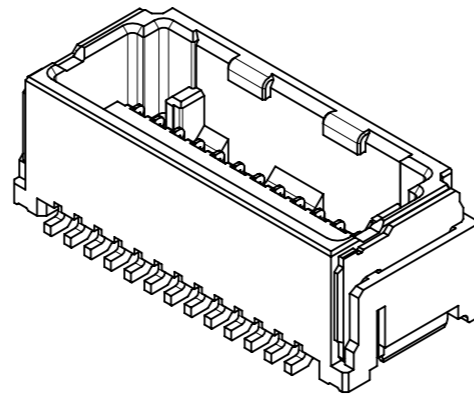
製品形状  
PRODUCT SHAPE



8-14極  
8-14 CIRCUIT



16-24極  
16-24 CIRCUIT



26-32極  
26-32 CIRCUIT



34-40極  
34-40 CIRCUIT



42極  
42 CIRCUIT



基板パターンレイアウト (参考)

(参考 : 基板厚 1.6mm, メタルマスク厚さ 0.15mm, マスク開口率 100%)

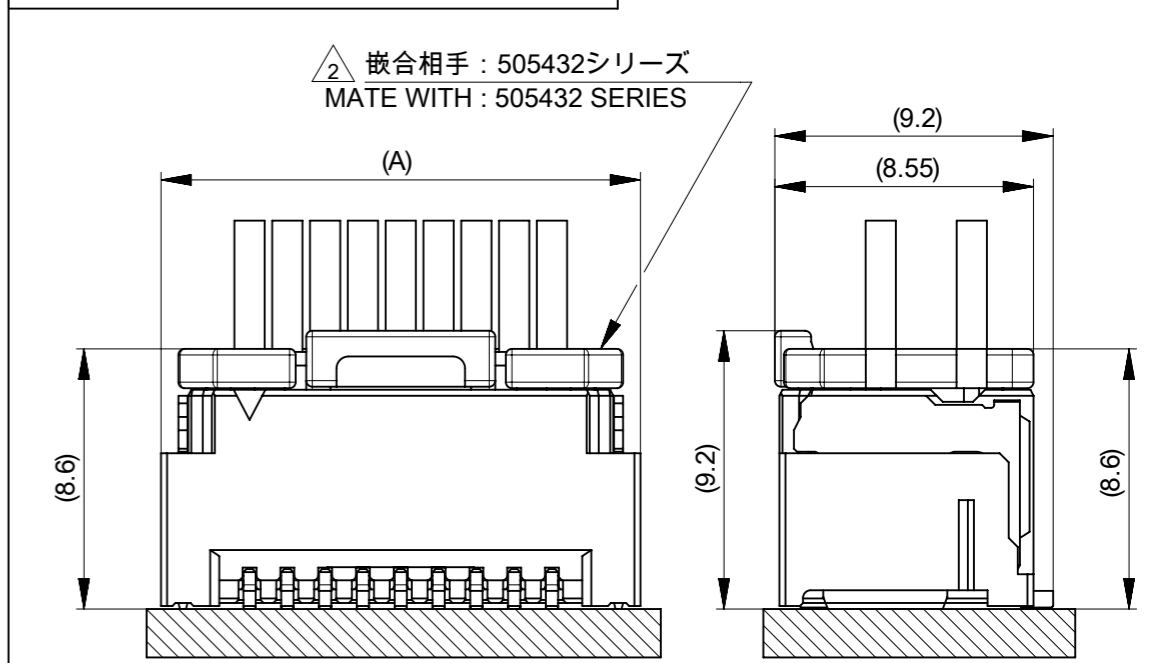
RECOMMEND PCB LAYOUT : COMPONENT SIDE

(REFERENCE : PCB THICKNESS 1.6mm, STENCIL THICKNESS 0.15mm, APERTURE RATIO 100%)

パターン非推奨エリア

パターンを引き回す際は、製品機能に影響がないことをご確認ください。  
PATTERN IS NOT RECOMMENDED ON THE HATCHING AREA  
PLEASE CHECK NOT TO HAVE PROBLEM FOR PRODUCT FUNCTION  
WHEN SETTING PATTERN ON THE HATCHING AREA.

嵌合状態図  
MATED CONNECTORS



THIS DRAWING CONTAINS INFORMATION THAT IS PROPRIETARY TO MOLEX ELECTRONIC TECHNOLOGIES, LLC AND SHOULD NOT BE USED WITHOUT WRITTEN PERMISSION		CURRENT REV DESC:			
DIMENSION UNITS	SCALE				
mm	NTS			MICRO-LOCK PLUS 1.25 W/B DUAL ROW VERTICAL SMT PLUG ASSEMBLY GOLD PLATING	
GENERAL TOLERANCES (UNLESS SPECIFIED)				PRODUCT CUSTOMER DRAWING	
ANGULAR TOL	± 3.0 °			DOCUMENT NUMBER	
4 PLACES	± 0.2	EC NO: 736271	2023/02/08	5054330003-SD	
3 PLACES	± 0.2	DRWN: TENAGASE	2023/02/16	DOC TYPE	DOC PART
2 PLACES	± 0.2	CHK'D: SAKIYAMA	2020/01/21	PSD	000
1 PLACE	± 0.2	APPR: AIDA		REVISION	D
0 PLACES	± 0.2	INITIAL REVISION:		SHEET NUMBER	
DRAFT WHERE APPLICABLE MUST REMAIN WITHIN DIMENSIONS		DRWN: TENAGASE	2020/01/20	2 OF 6	
THIRD ANGLE PROJECTION		APPR: KOMURAKAMI	2023/02/16	MATERIAL NUMBER	
		DRAWING		CUSTOMER	
		A3-SIZE	SERIES	GENERAL	
		505433	SEE SHEET 5,6		

10 9 8 7 6 5 4 3 2 1

F

E

D

C

B

A

吸着エリア違い  
SUCTION AREA DIFFERENCE



SECTION Y-Y  
吸着高さ SUCTION HEIGHT



8-32極  
8-32 CIRCUIT



34-42極  
34-42 CIRCUIT

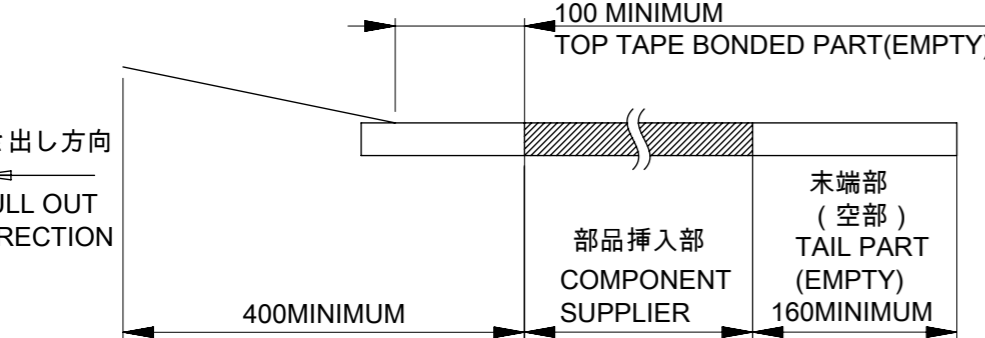
SECTION X-X  
吸着テープ高さ COVER TAPE HEIGHT

THIS DRAWING CONTAINS INFORMATION THAT IS PROPRIETARY TO MOLEX ELECTRONIC TECHNOLOGIES, LLC AND SHOULD NOT BE USED WITHOUT WRITTEN PERMISSION									
DIMENSION UNITS <b>mm</b>		SCALE <b>NTS</b>		CURRENT REV DESC:				<b>molex</b>	
GENERAL TOLERANCES (UNLESS SPECIFIED)		ANGULAR TOL ± 3.0 °		EC NO: 736271 DRWN: TENAGASE 2023/02/08 CHK'D: SAKIYAMA 2023/02/16 APPR: AIDA 2023/02/16					
4 PLACES ± 0.2		3 PLACES ± 0.2		INITIAL REVISION: DRWN: TENAGASE 2020/01/20 APPR: KOMURAKAMI 2020/01/21				DOCUMENT NUMBER <b>5054330003-SD</b>	
2 PLACES ± 0.2		1 PLACE ± 0.2		DRAFT WHERE APPLICABLE MUST REMAIN WITHIN DIMENSIONS				DOC TYPE <b>PSD</b>	
0 PLACES ± 0.2		THIRD ANGLE PROJECTION		DRAWING <b>A3-SIZE</b>		SERIES <b>505433</b>		DOC PART <b>000</b>	
REVISION DATE: 2021/05/01		DATE: 2021/05/01		MATERIAL NUMBER SEE SHEET 5,6		CUSTOMER GENERAL		REVISION <b>D</b>	
SHEET NUMBER <b>3 OF 6</b>									



**NOTES**

- 8. 梱包数量 : 500個  
NUMBER OF CONNECTORS : 500 PIECES/REEL.
- 9. 梱包仕様書 : 5054339200 PS 200  
PACKING SPECIFICATION : 5054339200 PS 200
- 10. リードテープ長さ  
LEAD TAPE LENGTH



11. トップテープの剥離強度については、IEC60286-3に準拠  
TOP TAPE PEEL FORCE IS DEFINED BY IEC 60286-3.

TABLE 2

番号 NO.	部品 PART	材質 MATERIAL
⑤	エンボステープ EMBOSSSED TAPE	ポリスチレン(PS) POLYSTYRENE(PS)
⑥	トップテープ TOP TAPE	ポリエチレン(PE)、その他 POLYETHYLENE(PE), OTHER
⑦	リール REEL	ポリスチレン(PS) <リサイクル材を含む> POLYSTYRENE(PS) < RECYCLE MATERIAL CONTAINED >

THIS DRAWING CONTAINS INFORMATION THAT IS PROPRIETARY TO MOLEX ELECTRONIC TECHNOLOGIES, LLC AND SHOULD NOT BE USED WITHOUT WRITTEN PERMISSION		CURRENT REV DESC:		<b>molex</b>			
DIMENSION UNITS <b>mm</b>	SCALE <b>NTS</b>					MICRO-LOCK PLUS 1.25 W/B DUAL ROW VERTICAL SMT PLUG ASSEMBLY GOLD PLATING	
GENERAL TOLERANCES (UNLESS SPECIFIED)		EC NO: 736271		PRODUCT CUSTOMER DRAWING			
ANGULAR TOL ± 3.0°		DRWN: TENAGASE 2023/02/08					
4 PLACES ± 0.2		CHK'D: SAKIYAMA 2023/02/16		DOCUMENT NUMBER <b>5054330003-SD</b>			
3 PLACES ± 0.2		APPR: AIDA 2023/02/16				DOC TYPE <b>PSD</b>	
2 PLACES ± 0.2		INITIAL REVISION:		DOC PART <b>000</b>			
1 PLACE ± 0.2		DRWN: TENAGASE 2020/01/20				REVISION <b>D</b>	
0 PLACES ± 0.2		APPR: KOMURAKAMI 2020/01/21					
DRAFT WHERE APPLICABLE MUST REMAIN WITHIN DIMENSIONS		THIRD ANGLE PROJECTION	DRAWING <b>A3-SIZE</b>	SERIES <b>505433</b>	MATERIAL NUMBER SEE SHEET 5,6	CUSTOMER GENERAL	SHEET NUMBER 4 OF 6

カバーテープ有 WITH COVER TAPE

△ 505433\*\*9\*発注番号一覧 ORDER NUMBER LIST


GREEN	BLUE	RED	BLACK	NATURAL (BEIGE)	HOUSING COLOR
5054334296	5054334294	5054334292	5054334291	5054334290	42
5054334096	5054334094	5054334092	5054334091	5054334090	40
5054333896	5054333894	5054333892	5054333891	5054333890	38
5054333696	5054333694	5054333692	5054333691	5054333690	36
5054333496	5054333494	5054333492	5054333491	5054333490	34
5054333296	5054333294	5054333292	5054333291	5054333290	32
5054333096	5054333094	5054333092	5054333091	5054333090	30
5054332896	5054332894	5054332892	5054332891	5054332890	28
5054332696	5054332694	5054332692	5054332691	5054332690	26
5054332496	5054332494	5054332492	5054332491	5054332490	24
5054332296	5054332294	5054332292	5054332291	5054332290	22
5054332096	5054332094	5054332092	5054332091	5054332090	20
5054331896	5054331894	5054331892	5054331891	5054331890	18
5054331696	5054331694	5054331692	5054331691	5054331690	16
5054331496	5054331494	5054331492	5054331491	5054331490	14
5054331296	5054331294	5054331292	5054331291	5054331290	12
5054331096	5054331094	5054331092	5054331091	5054331090	10
5054330896	5054330894	5054330892	5054330891	5054330890	8
発注番号 ORDER NUMBER					極数 CIRCUIT SIZE
梱包形態 : エンボステープ、リール PACKAGING STYLE : EMBOSSED TAPE AND REEL					

△ 505433\*\*5\*発注番号一覧 ORDER NUMBER LIST

GREEN	BLUE	RED	BLACK	NATURAL (BEIGE)	HOUSING COLOR
5054334256	5054334254	5054334252	5054334251	5054334250	42
5054334056	5054334054	5054334052	5054334051	5054334050	40
5054333856	5054333854	5054333852	5054333851	5054333850	38
5054333656	5054333654	5054333652	5054333651	5054333650	36
5054333456	5054333454	5054333452	5054333451	5054333450	34
5054333256	5054333254	5054333252	5054333251	5054333250	32
5054333056	5054333054	5054333052	5054333051	5054333050	30
5054332856	5054332854	5054332852	5054332851	5054332850	28
5054332656	5054332654	5054332652	5054332651	5054332650	26
5054332456	5054332454	5054332452	5054332451	5054332450	24
5054332256	5054332254	5054332252	5054332251	5054332250	22
5054332056	5054332054	5054332052	5054332051	5054332050	20
5054331856	5054331854	5054331852	5054331851	5054331850	18
5054331656	5054331654	5054331652	5054331651	5054331650	16
5054331456	5054331454	5054331452	5054331451	5054331450	14
5054331256	5054331254	5054331252	5054331251	5054331250	12
5054331056	5054331054	5054331052	5054331051	5054331050	10
5054330856	5054330854	5054330852	5054330851	5054330850	8
発注番号 ORDER NUMBER					極数 CIRCUIT SIZE
梱包形態 : エンボステープ、リール PACKAGING STYLE : EMBOSSED TAPE AND REEL					

△ 505433\*\*3\*発注番号一覧 ORDER NUMBER LIST

GREEN	BLUE	RED	BLACK	NATURAL (BEIGE)	HOUSING COLOR
5054334236	5054334234	5054334232	5054334231	5054334230	42
5054334036	5054334034	5054334032	5054334031	5054334030	40
5054333836	5054333834	5054333832	5054333831	5054333830	38
5054333636	5054333634	5054333632	5054333631	5054333630	36
5054333436	5054333434	5054333432	5054333431	5054333430	34
5054333236	5054333234	5054333232	5054333231	5054333230	32
5054333036	5054333034	5054333032	5054333031	5054333030	30
5054332836	5054332834	5054332832	5054332831	5054332830	28
5054332636	5054332634	5054332632	5054332631	5054332630	26
5054332436	5054332434	5054332432	5054332431	5054332430	24
5054332236	5054332234	5054332232	5054332231	5054332230	22
5054332036	5054332034	5054332032	5054332031	5054332030	20
5054331836	5054331834	5054331832	5054331831	5054331830	18
5054331636	5054331634	5054331632	5054331631	5054331630	16
5054331436	5054331434	5054331432	5054331431	5054331430	14
5054331236	5054331234	5054331232	5054331231	5054331230	12
5054331036	5054331034	5054331032	5054331031	5054331030	10
5054330836	5054330834	5054330832	5054330831	5054330830	8
発注番号 ORDER NUMBER					極数 CIRCUIT SIZE
梱包形態 : エンボステープ、リール PACKAGING STYLE : EMBOSSED TAPE AND REEL					

THIS DRAWING CONTAINS INFORMATION THAT IS PROPRIETARY TO MOLEX ELECTRONIC TECHNOLOGIES, LLC AND SHOULD NOT BE USED WITHOUT WRITTEN PERMISSION									
DIMENSION UNITS		SCALE		CURRENT REV DESC:					
mm		NTS							
GENERAL TOLERANCES (UNLESS SPECIFIED)				EC NO: 736271 DRWN: TENAGASE 2023/02/08 CHK'D: SAKIYAMA 2023/02/16 APPR: AIDA 2023/02/16				MICRO-LOCK PLUS 1.25 W/B DUAL ROW VERTICAL SMT PLUG ASSEMBLY GOLD PLATING	
ANGULAR TOL ± 3.0 °									
4 PLACES ± 0.2		3 PLACES ± 0.2		INITIAL REVISION: DRWN: TENAGASE 2020/01/20 APPR: KOMURAKAMI 2020/01/21				PRODUCT CUSTOMER DRAWING	
2 PLACES ± 0.2		1 PLACE ± 0.2							
0 PLACES ± 0.2		DRAFT WHERE APPLICABLE MUST REMAIN WITHIN DIMENSIONS		THIRD ANGLE PROJECTION		DRAWING		SERIES	
				A3-SIZE		505433		MATERIAL NUMBER	
				SEE SHEET 5,6		CUSTOMER		SHEET NUMBER	
				GENERAL		5 OF 6			

カバーテープ無 WITHOUT COVER TAPE

△ 505433\*\*6\*発注番号一覧 ORDER NUMBER LIST


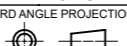
GREEN	BLUE	RED	BLACK	NATURAL (BEIGE)	HOUSING COLOR
5054334266	5054334264	5054334262	5054334261	5054334260	42
5054334066	5054334064	5054334062	5054334061	5054334060	40
5054333866	5054333864	5054333862	5054333861	5054333860	38
5054333666	5054333664	5054333662	5054333661	5054333660	36
5054333466	5054333464	5054333462	5054333461	5054333460	34
5054333266	5054333264	5054333262	5054333261	5054333260	32
5054333066	5054333064	5054333062	5054333061	5054333060	30
5054332866	5054332864	5054332862	5054332861	5054332860	28
5054332666	5054332664	5054332662	5054332661	5054332660	26
5054332466	5054332464	5054332462	5054332461	5054332460	24
5054332266	5054332264	5054332262	5054332261	5054332260	22
5054332066	5054332064	5054332062	5054332061	5054332060	20
5054331866	5054331864	5054331862	5054331861	5054331860	18
5054331666	5054331664	5054331662	5054331661	5054331660	16
5054331466	5054331464	5054331462	5054331461	5054331460	14
5054331266	5054331264	5054331262	5054331261	5054331260	12
5054331066	5054331064	5054331062	5054331061	5054331060	10
5054330866	5054330864	5054330862	5054330861	5054330860	8
発注番号 ORDER NUMBER					極数 CIRCUIT SIZE
梱包形態：エンボステープ、リール PACKAGING STYLE : EMBOSSED TAPE AND REEL					

△ 505433\*\*4\*発注番号一覧 ORDER NUMBER LIST

GREEN	BLUE	RED	BLACK	NATURAL (BEIGE)	HOUSING COLOR
5054334246	5054334244	5054334242	5054334241	5054334240	42
5054334046	5054334044	5054334042	5054334041	5054334040	40
5054333846	5054333844	5054333842	5054333841	5054333840	38
5054333646	5054333644	5054333642	5054333641	5054333640	36
5054333446	5054333444	5054333442	5054333441	5054333440	34
5054333246	5054333244	5054333242	5054333241	5054333240	32
5054333046	5054333044	5054333042	5054333041	5054333040	30
5054332846	5054332844	5054332842	5054332841	5054332840	28
5054332646	5054332644	5054332642	5054332641	5054332640	26
5054332446	5054332444	5054332442	5054332441	5054332440	24
5054332246	5054332244	5054332242	5054332241	5054332240	22
5054332046	5054332044	5054332042	5054332041	5054332040	20
5054331846	5054331844	5054331842	5054331841	5054331840	18
5054331646	5054331644	5054331642	5054331641	5054331640	16
5054331446	5054331444	5054331442	5054331441	5054331440	14
5054331246	5054331244	5054331242	5054331241	5054331240	12
5054331046	5054331044	5054331042	5054331041	5054331040	10
5054330846	5054330844	5054330842	5054330841	5054330840	8
発注番号 ORDER NUMBER					極数 CIRCUIT SIZE
梱包形態：エンボステープ、リール PACKAGING STYLE : EMBOSSED TAPE AND REEL					

△ 505433\*\*2\*発注番号一覧 ORDER NUMBER LIST

GREEN	BLUE	RED	BLACK	NATURAL (BEIGE)	HOUSING COLOR
5054334226	5054334224	5054334222	5054334221	5054334220	42
5054334026	5054334024	5054334022	5054334021	5054334020	40
5054333826	5054333824	5054333822	5054333821	5054333820	38
5054333626	5054333624	5054333622	5054333621	5054333620	36
5054333426	5054333424	5054333422	5054333421	5054333420	34
5054333226	5054333224	5054333222	5054333221	5054333220	32
5054333026	5054333024	5054333022	5054333021	5054333020	30
5054332826	5054332824	5054332822	5054332821	5054332820	28
5054332626	5054332624	5054332622	5054332621	5054332620	26
5054332426	5054332424	5054332422	5054332421	5054332420	24
5054332226	5054332224	5054332222	5054332221	5054332220	22
5054332026	5054332024	5054332022	5054332021	5054332020	20
5054331826	5054331824	5054331822	5054331821	5054331820	18
5054331626	5054331624	5054331622	5054331621	5054331620	16
5054331426	5054331424	5054331422	5054331421	5054331420	14
5054331226	5054331224	5054331222	5054331221	5054331220	12
5054331026	5054331024	5054331022	5054331021	5054331020	10
5054330826	5054330824	5054330822	5054330821	5054330820	8
発注番号 ORDER NUMBER					極数 CIRCUIT SIZE
梱包形態：エンボステープ、リール PACKAGING STYLE : EMBOSSED TAPE AND REEL					

THIS DRAWING CONTAINS INFORMATION THAT IS PROPRIETARY TO MOLEX ELECTRONIC TECHNOLOGIES, LLC AND SHOULD NOT BE USED WITHOUT WRITTEN PERMISSION									
DIMENSION UNITS		SCALE		CURRENT REV DESC:					
mm		NTS							
GENERAL TOLERANCES (UNLESS SPECIFIED)				EC NO: 736271 DRWN: TENAGASE CHK'D: SAKIYAMA APPR: AIDA				MICRO-LOCK PLUS 1.25 W/B DUAL ROW VERTICAL SMT PLUG ASSEMBLY GOLD PLATING	
ANGULAR TOL ± 3.0 °									
4 PLACES ± 0.2		2023/02/08		PRODUCT CUSTOMER DRAWING				DOCUMENT NUMBER <b>5054330003-SD</b>	
3 PLACES ± 0.2		2023/02/16							
2 PLACES ± 0.2		2023/02/16		INITIAL REVISION: DRWN: TENAGASE APPR: KOMURAKAMI				DOC TYPE	
1 PLACE ± 0.2		2020/01/20						PSD	
0 PLACES ± 0.2		2020/01/21		SERIES		REVISION		SHEET NUMBER	
DRAFT WHERE APPLICABLE MUST REMAIN WITHIN DIMENSIONS		THIRD ANGLE PROJECTION		DRAWING		MATERIAL NUMBER		CUSTOMER	
				A3-SIZE		505433		SEE SHEET 5,6	
				GENERAL		6 OF 6			