

W16-4044

MECHANICAL CHARACTERISTICS:

CONTACT ARRANGEMENT: SPDT-DB(FORM Z)

CONTACTS: SILVER

PRETRAVEL: 0.050inch [1.27mm] MAX

OVER TRAVEL: 0.012inch[0.3mm] MIN

OPERATING FORCE: 5_{-2}^{+3} oz $[142_{-57}^{+85}g]$

RELEASE FORCE: 2 oz [57g]MIN

MOVEMENT DIFFERENTIAL: 0.020 ± 0.005 inches [0.51 ± 0.13 mm]

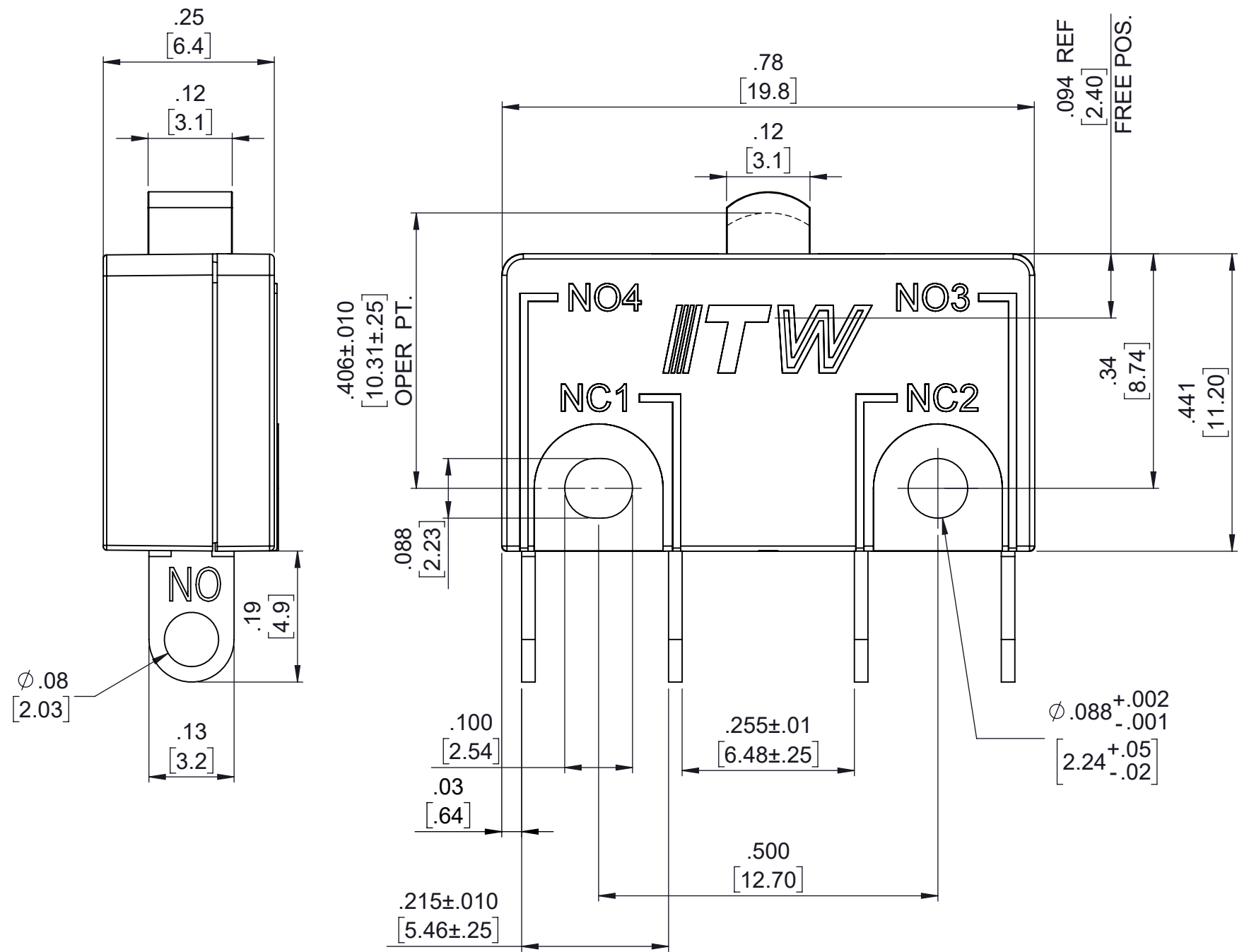
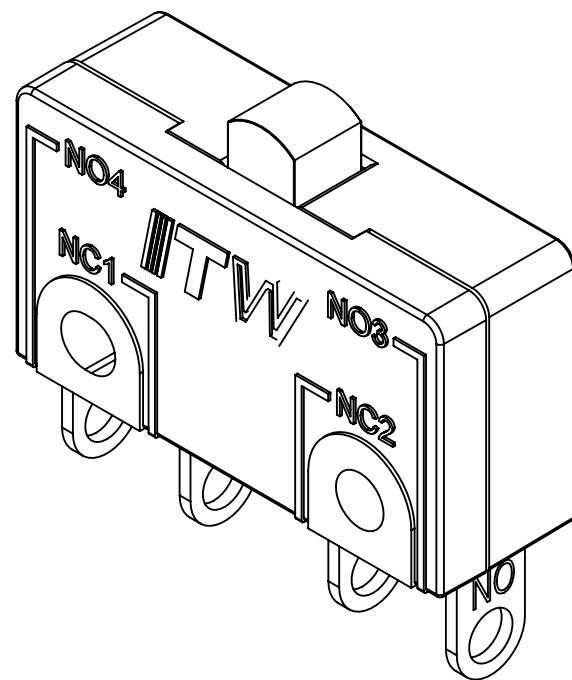
AMBIENT TEMP. RANGE: -65°F to +266°F [-54°C to +130°C]

CONTACT RESISTANCE SPECIFICATION: .025 OHMS MAX FROM TERMINAL TO TERMINAL INITIAL.

ELECTRICAL RATING: * U.L. & C.S.A LISTED ,75% PF

FORM X & FORM Y *10.1AMP 125/250 VAC
10AMP 28VDC IND

FORM Z: *10.1AMP 125/250 VAC
3 AMP 28VDC IND



DWG TYPE SALES DRAWING	DRAWN <i>K.Y.</i>	TOLERANCES: UNLESS OTHERWISE NOTED X.X ± .039 inch X.XX ± .005 inch ANGULAR ± 5°	DWG TITLE T16 BASIC SWITCH							
STATUS RELEASE	REVIEW <i>v.w.</i>	THIRD ANGLE PROJECTION 	DWG NO. W16-4044							
<small>This document is the intellectual property of ITW Electronic Business Asia Co., Limited and may contain confidential, proprietary, privileged information protected by law. Neither this document nor any information it contains can be reproduced, transformed to any other format, or distributed, without written permission by ITW Electronic Business Asia Co., Limited. 本文作為安泰維百電器股份有限公司之智慧財產，非經許可不得翻取、複製、轉變成其他形式使用或散佈。</small>			DATE 2021/6/7	REF: 16-4044(T)	<input checked="" type="checkbox"/> 管制文件 <input type="checkbox"/> 非管制文件	Unit inch [mm]	SCALE -	REV 1	RoHS Compliant	SHEET 1 OF 2

REVISION RECORD

REV.	DESCRIPTION	DATE	DRAWN BY	DOCUMENT NO.
1	1. REORGANIZE 16-4044 DRAWING INTO EBA SYSTEM.(FROM 16-4044_Rev.T)	2021/6/15	K.Y.	DCN-202100052

DWG TYPE SALES DRAWING	DRAWN <i>K.Y.</i>	TOLERANCES: UNLESS OTHERWISE NOTED X.X ± .039 inch X.XX ± .005 inch ANGULAR ± 5°	DWG TITLE T16 BASIC SWITCH						
STATUS RELEASE	REVIEW <i>V.W.</i>		DWG NO. W16-4044						
This document is the intellectual property of ITW Electronic Business Asia Co., Limited and may contain confidential, proprietary, privileged information protected by law. Neither this document nor any information it contains can be reproduced, transformed to any other format, or distributed, without written permission by ITW Electronic Business Asia Co., Limited. 本文件為安天德百電股份有限公司之智權財產，非經許可不得翻印、複製、轉變成其他形式使用或散佈			DATE 2021/6/7	REF: 16-4044	<input checked="" type="checkbox"/> 管制文件 <input type="checkbox"/> 非管制文件		Unit [mm]	SCALE -	REV 1