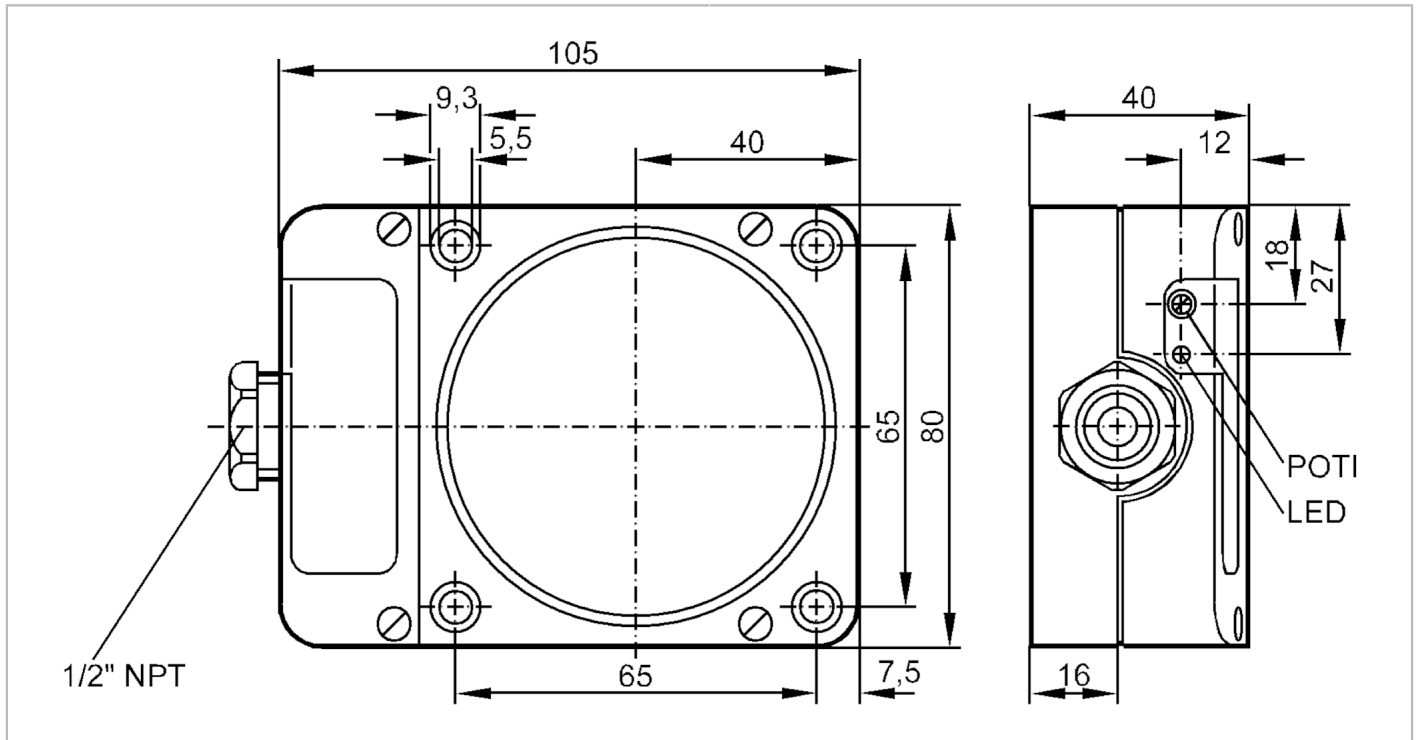


KD0024



Capacitive sensor

KDE2060-FBOA/NI/NPT RT



Product characteristics

Output function		normally open / normally closed; (selectable)
Sensing range	[mm]	60
Housing		rectangular

Electrical data

Operating voltage	[V]	20...250 AC/DC
Protection class		II
Reverse polarity protection		no

Outputs

Output function		normally open / normally closed; (selectable)
Max. voltage drop switching output DC	[V]	8
Max. voltage drop switching output AC	[V]	10
Minimum load current	[mA]	5
Max. leakage current	[mA]	2.5 (250 V AC) / 1.7 (110 V AC) / 1.3 (24 V DC)
Permanent current rating of switching output AC	[mA]	200; (for UL application: 250 / 100 DC)
Permanent current rating of switching output DC	[mA]	200; (for UL application: 250 AC / 100 DC)
Short-time current rating of switching output	[mA]	1500; (20 ms / 0,5 Hz)
Switching frequency AC	[Hz]	10
Switching frequency DC	[Hz]	10
Short-circuit proof		no

KD0024



Capacitive sensor

KDE2060-FBOA/NI/NPT RT

Overload protection		no
Detection zone		
Sensing range [mm]		60
Sensing range adjustable		yes
Factory setting sensing range [mm]		60
Real sensing range Sr [mm]		60 ± 10 %
Operating distance [mm]		0...48.6
Accuracy / deviations		
Correction factor		glass: 0.4 / water: 1 / ceramics: 0.2 / PVC: 0.2
Hysteresis [% of Sr]		1...15
Switch point drift [% of Sr]		-15...15
Operating conditions		
Ambient temperature [°C]		-25...80
Protection		IP 65
Tests / approvals		
EMC	EN 60947-5-2	
MTTF [years]		409
Mechanical data		
Weight [g]		307.5
Housing		rectangular
Mounting		non-flush mountable
Materials		PPE modified
Displays / operating elements		
Display	switching status	1 x LED, red
Electrical connection		
Required protection		miniature fuse to IEC60127-2 sheet 1; ≤ 2 A; fast acting
Accessories		
Items supplied		screwdriver: 1 spring washers: 4 cylinder screws: 4
Remarks		
Remarks		Recommendation: Check the safe functioning of the unit after a short circuit.
Pack quantity		1 pcs.

KD0024



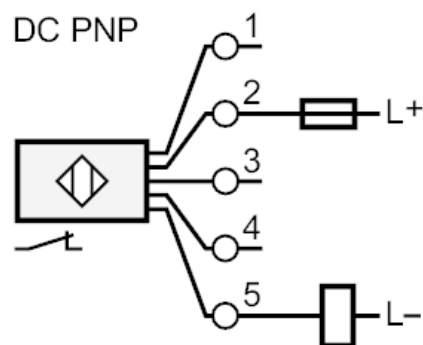
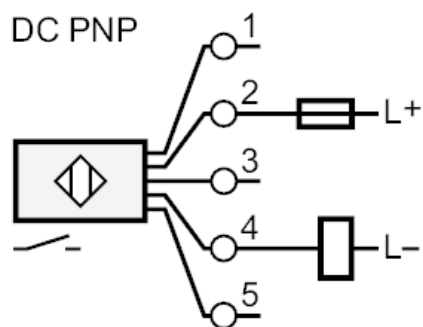
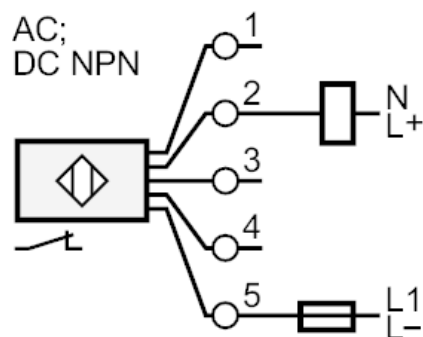
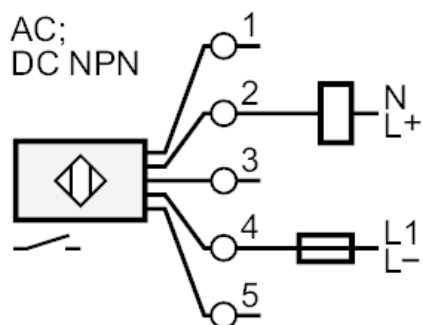
Capacitive sensor

KDE2060-FBOA/NI/NPT RT

Electrical connection

terminals: ...2.5 mm²; Cable sheath: Ø 7...13 mm

Connection



Note miniature fuse to IEC60127-2 sheet 1 ≤ 2 A fast acting