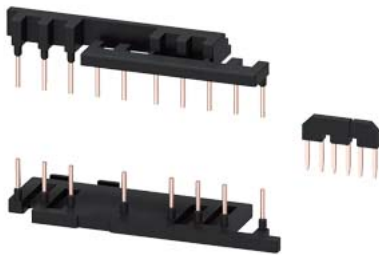


Wiring kit for screw terminal Electrical and mechanical  
Including mechanical interlocking for YD starter Size S00



General technical data		
product brand name		SIRIUS
product designation		Mounting kit
design of the product		YD combination S00, screw terminal
size of contactor		S00
Installation/ mounting/ dimensions		
fastening method		screw fixing
Certificates/ approvals		
General Product Approval		Declaration of Conformity



[Miscellaneous](#)



Declaration of Conformity	Test Certificates	Shipping Approval
---------------------------	-------------------	-------------------

[Miscellaneous](#)

[Type Test Certificates/Test Report](#)



other
-------

[Confirmation](#)

Further information
---------------------

Information- and Downloadcenter (Catalogs, Brochures,...)

<https://www.siemens.com/ic10>

Industry Mall (Online ordering system)

<https://mall.industry.siemens.com/mall/en/en/Catalog/product?mfb=3RA2913-2BB1>

Cax online generator

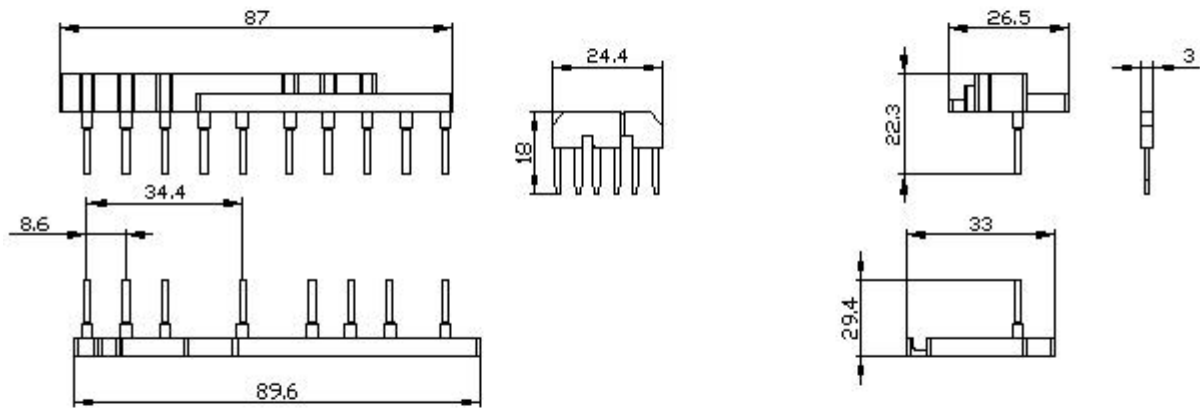
<http://support.automation.siemens.com/WW/CAXorder/default.aspx?lang=en&mlfb=3RA2913-2BB1>

Service&Support (Manuals, Certificates, Characteristics, FAQs,...)

<https://support.industry.siemens.com/cs/ww/en/ps/3RA2913-2BB1>

Image database (product images, 2D dimension drawings, 3D models, device circuit diagrams, EPLAN macros, ...)

[http://www.automation.siemens.com/bilddb/cax\\_de.aspx?mlfb=3RA2913-2BB1&lang=en](http://www.automation.siemens.com/bilddb/cax_de.aspx?mlfb=3RA2913-2BB1&lang=en)



last modified:

5/15/2020 