

MODEL 711 - INCREMENTAL SHAFT ENCODER



FEATURES

The original industry-standard Cube
 Versatile housing styles
 Unidirectional output
 Resolutions available to 10,000 CPR

The Model 711 Accu-Coder® is the original, industry standard cube encoder. Designed for compatibility with most programmable controllers, electronic counters, motion controllers, and motor drives, it is ideally suited for applications that require a simple, symmetrical, unidirectional square wave output in a single channel format. Critical performance specifications for the most popular resolutions and advanced Opto-ASIC circuitry – a single chip design that eliminates many board level components – increase the reliability of an already dependable and durable encoder. With new options continually being added, the Model 711 excels in a wide variety of industrial applications.

COMMON APPLICATIONS

Feedback for counters, PLCs & motors, measuring for packaging, filling & material handling machines, wire winding, film extrusion

MODEL 711 ORDERING GUIDE

Blue type indicates price adder options. Not all configuration combinations may be available. Contact Customer Service for details.

711	0256	S	HD1	6	S	S	N
MODEL 711 Unidirectional Cube (Single Channel)		OUTPUT TYPE S Pull-Up resistor O Open Collector PP Push-Pull HV Line Driver		SHAFT DIAMETER⁴ 4 1/4", 0.250" ⁵ 5 5/16", 0.3125" ⁶ 6 3/8", 0.375" 8 1/2", 0.500" ⁷ 10 5/8", 0.625" ⁷		CONNECTOR TYPE⁹ S Standard 6-pin MS Y 7-pin MS J 5-pin M12 (12 mm) ⁸ K 8-pin M12 (12 mm) ⁸ G Gland nut – 18" cable ¹⁰ T Solder or screw terminal ¹¹ B Solder terminal with conduit box	
CYCLES PER REVOLUTION (CPR) 1-10,000 See CPR Options below for available resolutions. (1271 and above is a price adder)		HOUSING TYPE S 2.25" Standard housing S1 2.25" Standard housing with IP50 felt shaft seal ¹ IND12 Industrial housing with IP66 shaft seal HD1 3" x 3" x 6" Heavy Duty housing ² HD3 Heavy Duty housing with conduit connector & terminal strip HD5 Heavy Duty housing with 10 mm outer bearing ² HD10 Heavy Duty housing with ultra heavy duty bearings, 0.625" or 0.500" shaft ² HD12 Heavy Duty housing with IP66 outer shaft seal ² HD14 Heavy Duty housing with IP66 shaft seal and with conduit connector & terminal strip SPY Standard Cube with SPY adaptor ³ EX Explosion-proof housing		SHAFT TYPE S Single D Double ended ⁸		MATING CONNECTOR N No connector Y Yes	

NOTES:

- Available with 0.250" shaft only.
- Only available with 6-pin MS or Screw Terminal Connector Types.
- Only available with 5/16", 0.3125" shaft.
- Contact Customer Service for custom shaft lengths and diameters.
- Standard housing only.
- Standard or SPY housing only.
- HD10 housing only.
- Not available for HD or EX housings.
- For mating connectors, cables, and cordsets see Accessories at encoder.com. For Connector Pin Configuration Diagrams, see Technical Information or see Connector Pin Configuration Diagrams at encoder.com.
- For non-standard cable lengths, add a forward slash (/) plus cable length expressed in feet. Example: G/6 = 6 feet of cable.
- Screw terminals available for HD and EX housings. Solder terminals available for S and S1 housings.

Model 711 CPR Options

0001 thru 0189*	0193	0198	0200	0205	0210	0240	0250	0256
0298	0300	0305	0315	0333	0336	0350	0360	0400
0480	0500	0512	0600	0700	0720	0800	0960	1000
1024	1200	1250	1270	1500	1800*	2000	2048	2500
3000	3600*	4096	5000	6000	7200*	8192	10,000	

*Contact Customer Service for availability.

Contact Customer Service for other disc resolutions. Not all disc resolutions available with all output types.

MODEL 711 - INCREMENTAL SHAFT ENCODER

MODEL 711 SPECIFICATIONS

Common to all Cube Housing Styles

Electrical

Input Voltage.....	4.75 to 28 VDC max for temperatures up to 85° C 4.75 to 24 VDC for temperatures between 85° C and 100° C.
Input Current.....	.80 mA maximum with no output load
Input Ripple.....	.100 mV peak-to-peak at 0 to 100 kHz
Output Format.....	Incremental – Square wave with single channel
Output Types.....	Open Collector – 250 mA max per channel Pull-Up – Open Collector with 1.5K ohm internal resistor, 250 mA max per channel Push-Pull – 20 mA max per channel Line Driver – 20 mA max per channel (Meets RS 422 at 5 VDC supply)
Max Frequency.....	.1 to 2500 CPR 125 kHz 2501 to 5000 CPR 250 kHz 5001 to 10,000 CPR 500 kHz
Electrical Protection.....	Reverse voltage and output short circuit protected. NOTE: Sustained reverse voltage may result in permanent damage.
Symmetry.....	.180° (±18°) electrical
Rise Time.....	Less than 1 microsecond
Accuracy.....	Within 0.05° mechanical from one cycle to any other cycle, or 3 arc minutes.

Mechanical

Max Speed.....	.6000 RPM. Higher shaft speeds achievable, contact Customer Service.
Shaft Material.....	.303 Stainless Steel
Housing.....	Black non-corrosive finished 6063-T6 aluminum
Bearings.....	Precision ABEC ball bearings

Environmental

Operating Temp.....	0° to 85° C
Storage Temp.....	-25° to 85° C
Humidity.....	.98% RH non-condensing
Vibration.....	.10 g @ 58 to 500 Hz
Shock.....	.50 g @ 11 ms duration

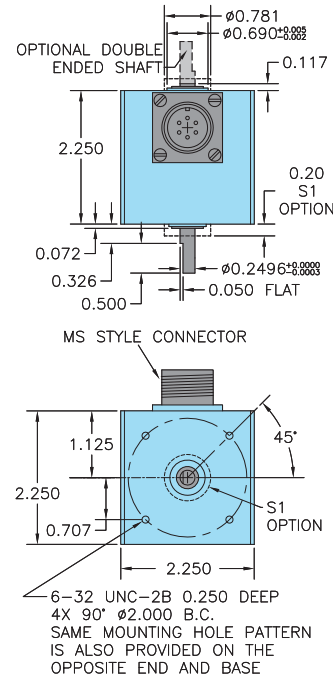
STANDARD CUBE HOUSING (S, S1) SPECIFICATIONS

Mechanical

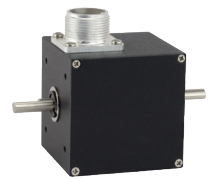
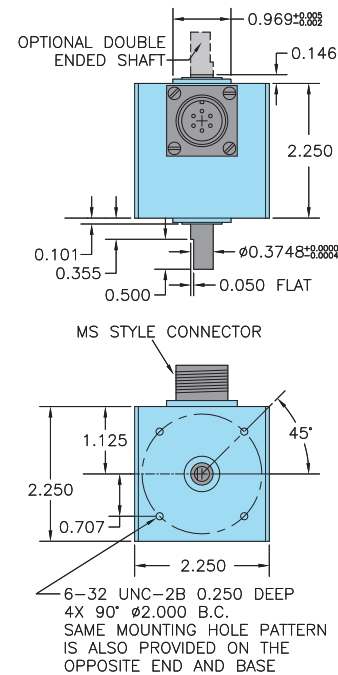
Shaft Type.....	Single or double-ended (specify choice)
Radial Loading.....	.15 lb maximum (0.250" diameter shaft) 40 lb maximum (0.375" diameter shaft)
Axial Loading.....	.10 lb maximum (0.250" diameter shaft) 30 lb maximum (0.375" diameter shaft)
Starting Torque.....	.013 oz-in typical for 0.250" shaft .038 oz-in typical for 0.375" shaft
Moment of Inertia.....	.65 x 10 ⁻⁶ oz-in-sec ²
Weight.....	10 oz for standard housing

STANDARD CUBE HOUSING (S, S1)

Cube Housing with 1/4" Shaft (4)



Cube Housing with 3/8" Shaft (6)



MODEL 711 - INCREMENTAL SHAFT ENCODER

WAVEFORM DIAGRAM



WIRING TABLE

For EPC-supplied mating cables, refer to wiring table provided with cable.

Function	Gland Cable† Wire Color	5-pin M12	8-pin M12	10-pin MS	7-pin MS HV	7-pin MS O, S, PP	6-pin MS HV, no Index	6-pin MS O, S, PP	Term. Block HV, No Index	Term. Block O, S, PP
Com	Black	3	7	F	F	F	A	A, F	1	1, 6
+VDC	Red	1	2	D	D	D	B	B	2	2
A	White	4	1	A	A	A	C	D	3	4
A'	Brown	--	3	H	C	--	D	--	4	--
Case	--	--	--	G	G	G	--	--	--	--
Shield	Bare	--	--	--	--	--	--	--	--	--

†Standard cable is 24 AWG conductors with foil and braid shield.

CUBE PIVOT MOUNTING BRACKETS

176430-01 Single Pivot

176431-01 Double Pivot

176430-02 Spring Loaded Single Pivot

176431-02 Spring Loaded Double Pivot

Encoder sold separately.

Dual Wheel



Single Wheel (shown with Torsion Spring)

