

SERIES: CFM-40BG | **DESCRIPTION:** DC AXIAL FAN

FEATURES

- dual ball bearing system
- 40 x 40 mm frame
- multiple speed options
- PWM/tachometer wires available


MODEL

	input voltage		input current ¹	input power ¹	rated speed ¹	airflow ²	static pressure ³	noise ⁴
	rated [Vdc]	range [Vdc]	max [A]	max [W]	typ [RPM±10%]	[CFM]	[inch H ₂ O]	typ [dBA]
CFM-4020BG-1100-389	12	10.8~13.2	0.20	2.40	10,000	11.77	0.40	38.9
CFM-4020BG-1120-429	12	10.8~13.2	0.30	3.60	12,000	14.13	0.57	42.9
CFM-4020BG-1140-462	12	10.8~13.2	0.50	6.00	14,000	17.52	0.89	46.2
CFM-4020BG-1165-498	12	10.8~13.2	0.59	7.08	16,500	19.42	1.08	49.8
CFM-4020BG-1185-523	12	10.8~13.2	0.72	8.64	18,500	22.52	1.46	51.7
CFM-4028BG-180-369	12	10.8~13.2	0.21	2.52	8,000	9.75	0.39	37.0
CFM-4028BG-1100-418	12	10.8~13.2	0.30	3.60	10,000	12.19	0.61	41.8
CFM-4028BG-1130-475	12	10.8~13.2	0.39	4.68	13,000	15.85	1.03	47.5
CFM-4028BG-1160-520	12	10.8~13.2	0.54	6.48	16,000	19.51	1.56	52.0
CFM-4028BG-1200-568	12	10.8~13.2	0.94	11.28	20,000	24.38	2.44	56.9
CFM-4028BG-1230-598	12	10.8~13.2	1.38	16.56	23,000	28.04	3.23	60.0
CFM-4028BG-1250-617	12	10.8~13.2	1.76	21.12	25,000	30.48	3.82	61.7

- Notes:
1. At rated voltage, after 3 minutes.
 2. At rated voltage, room temperature, 65% humidity, 0 inch H₂O static pressure.
 3. At rated voltage, 0 CFM airflow.
 4. Measured in an anechoic chamber as per ISO3745/GB4214-84 at rated voltage, with background noise 20±2 dBA at 1 m from the fan intake.
 5. All specifications are measured at 25°C, 65% relative humidity unless otherwise specified.

PART NUMBER KEY

CFM-4020BG-1100-389- XX - CXX

Base Number

Fan Signals
 "blank" = no signals
 20 = tachometer signal
 22 = tachometer signal / PWM control signal

Reserved for Custom Configurations

INPUT

parameter	conditions/description	min	typ	max	units
operating input voltage		10.8	12	13.2	Vdc
starting voltage	CFM-4028BG-1230-598 models		10.0		Vdc
	CFM-4028BG-1250-617 models		9.0		Vdc
	all other models		7.0		Vdc

PERFORMANCE⁶

parameter	conditions/description	min	typ	max	units
rated speed	at rated voltage, 25°C, after 3 minutes	8,000		25,000	RPM
air flow	at 0 inch H ₂ O, see performance curves	9.75		30.48	CFM
static pressure	at 0 CFM, see performance curves	0.39		3.82	inch H ₂ O
noise	at 1 m, rated speed	37.0		61.7	dBA

Note: 6. See Model section on page 1 for specific values.

PROTECTIONS / FEATURES⁷

parameter	conditions/description	min	typ	max	units
auto restart	on all models				
polarity protection	on all models				
soft start	on all models except CFM-4020BG-1185-523				
tachometer signal	available on "20" and "22" models				
PWM control signal	available on "22" models				

Notes: 7. See Application Notes for details.

SAFETY & COMPLIANCE

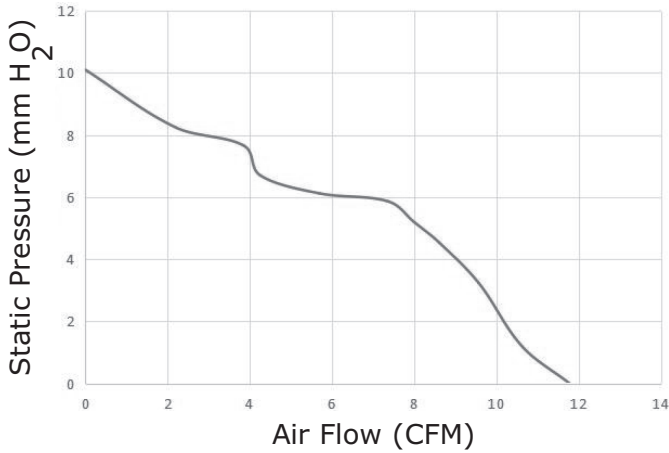
parameter	conditions/description	min	typ	max	units
insulation resistance	at 500 Vdc between frame and positive terminal	10			MΩ
dielectric strength	at 500 Vac, 60 Hz, 1 minute between housing and positive terminal			5	mA
safety approvals	UL/cUL 507, TUV (EN/IEC 62368-1:2020+A11)				
EMI/EMC	EN 55032:2015, EN 55035:2017				
life expectancy	at 40°C, 65% RH, 90% confidence level		70,000		hours
RoHS	yes				

ENVIRONMENTAL

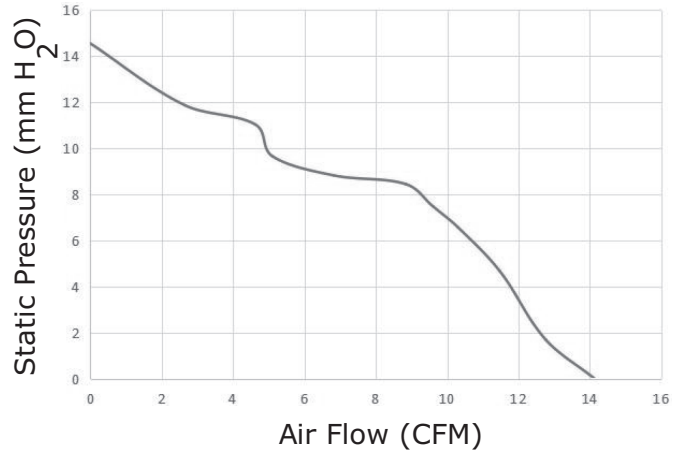
parameter	conditions/description	min	typ	max	units
operating temperature		-10		70	°C
storage temperature		-40		75	°C
operating humidity	non-condensing	35		85	%
storage humidity	non-condensing	35		85	%

PERFORMANCE CURVES

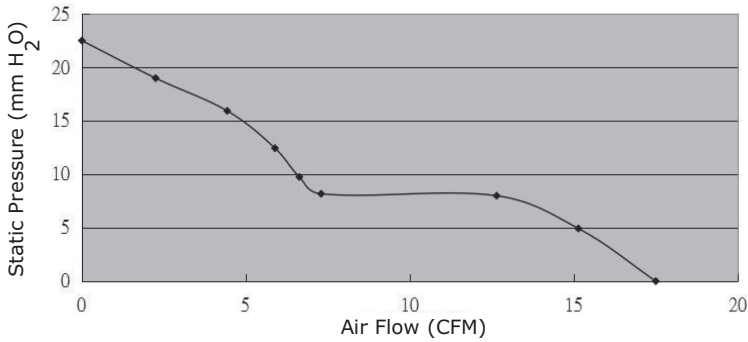
CFM-4020BG-1100-389



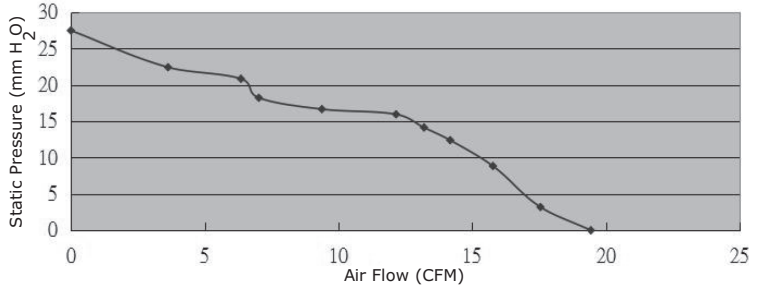
CFM-4020BG-1120-429



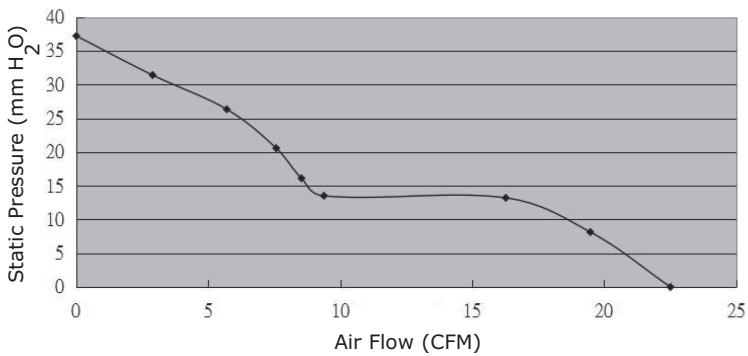
CFM-4020BG-1140-462



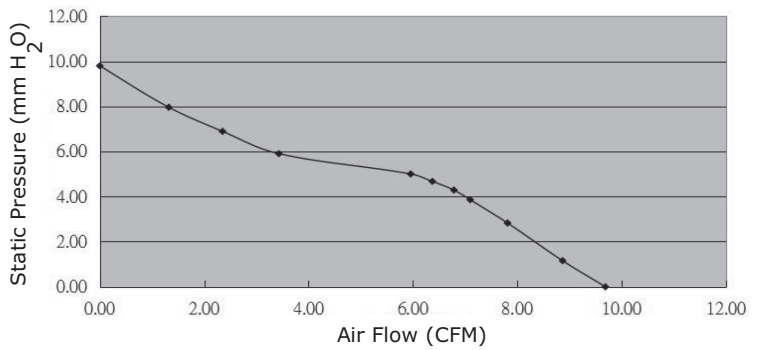
CFM-4020BG-1165-498



CFM-4020BG-1185-523

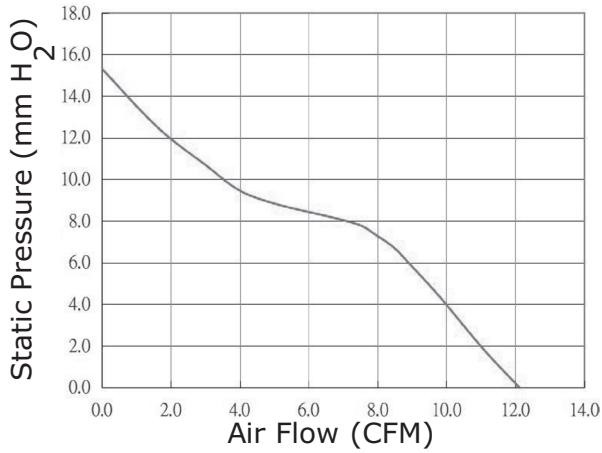


CFM-4028BG-180-369

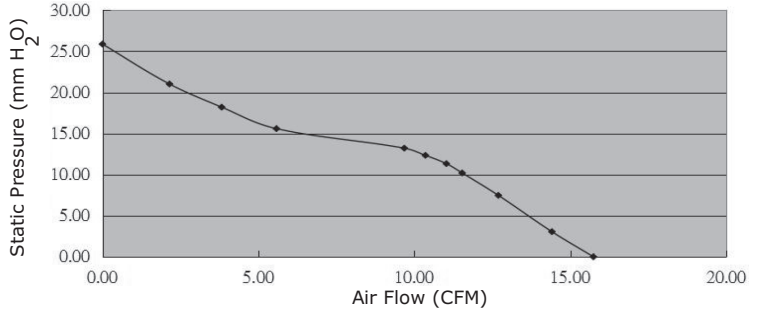


PERFORMANCE CURVES (CONTINUED)

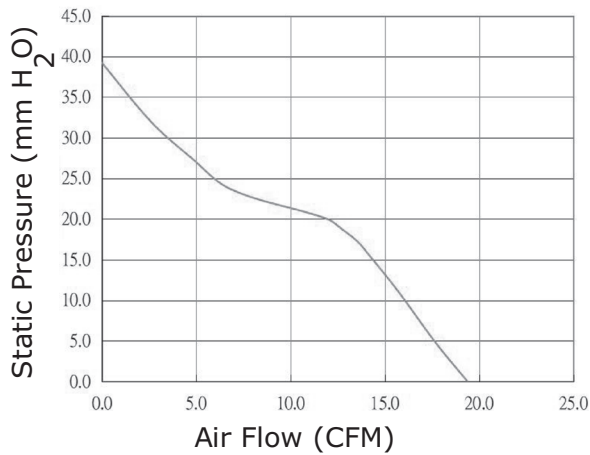
CFM-4028BG-1100-418



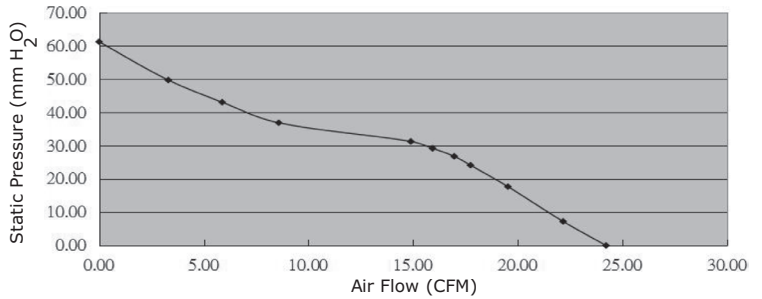
CFM-4028BG-1130-475



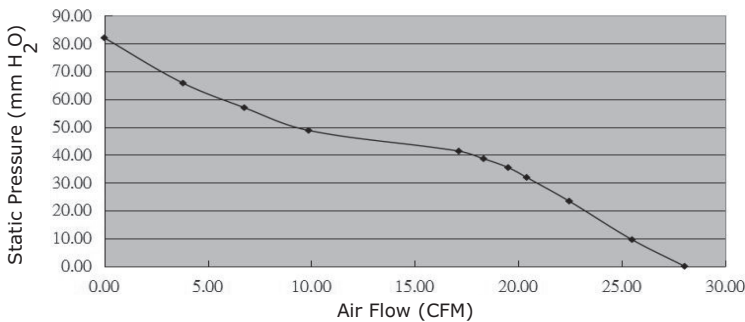
CFM-4028BG-1160-520



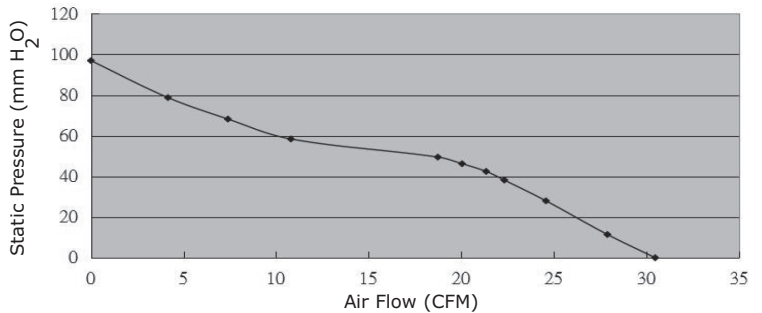
CFM-4028BG-1200-568



CFM-4028BG-1230-598



CFM-4028BG-1250-617



MECHANICAL

parameter	conditions/description	min	typ	max	units
motor	4 pole DC brushless				
bearing system	dual ball bearing				
direction of rotation	counter-clockwise viewed from front of fan blade				
dimensions	CFM-4020BG models: 40 x 40 x 20 CFM-4028BG models: 40 x 40 x 28				mm mm
material	PBT (UL94V-0)				
weight	CFM-4020BG-1165-498, CFM-4020BG-1185-523		29.7		g
	CFM-4028BG-180-369, CFM-4028BG-1100-418 CFM-4028BG-1130-475, CFM-4028BG-1160-520		45.9		g
			45.7		g
	CFM-4028BG-1200-568		46.6		g
	CFM-4028BG-1230-598		45.5		g
	CFM-4028BG-1250-617 all other models		49.2 29.63		g g

MECHANICAL DRAWING

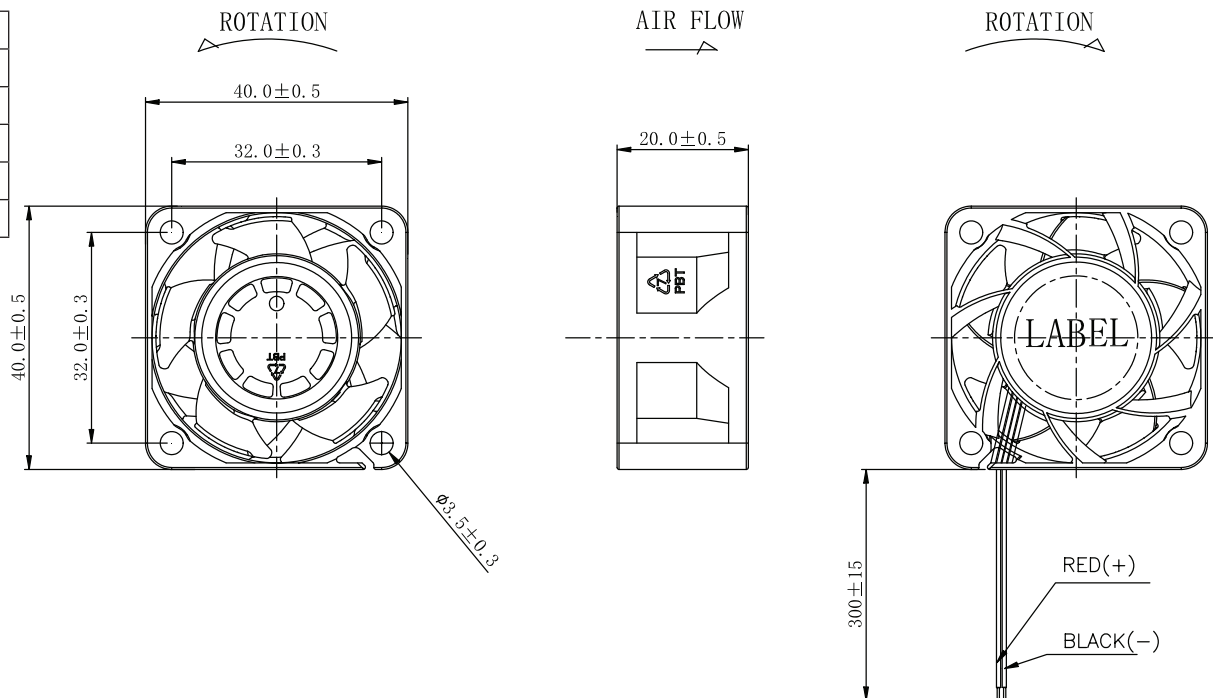
units: mm

2 wire versions (+Vin & -Vin): UL 1007, 26 AWG
 3 wire versions (+Vin, -Vin, & tach): UL 1007, 26 AWG
 4 wire versions (+Vin, -Vin, tach, & PWM): UL 1007, 28 AWG

MOUNTING SCREW (Pan Head)			
Screw Type	Size	Standard	Torque
Machine Screw	M3	JIS B1111-1974	7.5 kgf-cm
Self-tapping Screw	M4	JIS B1122 Type 2	7.5 kgf-cm

CFM-4020BG

WIRE CONNECTIONS	
Wire Color	Function
Red	+Vin
Black	-Vin
Yellow ^a	Tach Signal
Blue ^a	PWM



Notes: ^a Wires only present on versions with output signals.

MECHANICAL DRAWING (CONTINUED)

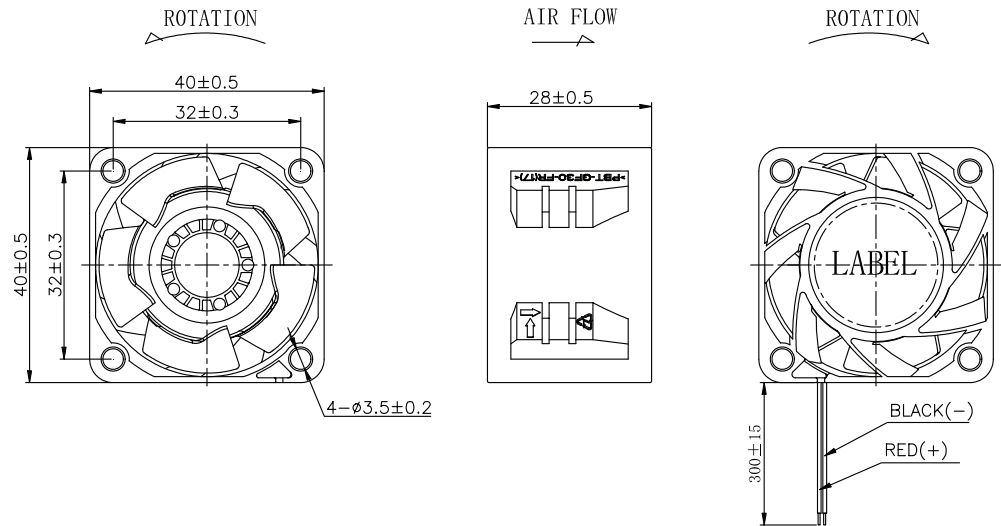
units: mm

2 wire versions (+Vin & -Vin): UL 1007, 26 AWG
 3 wire versions (+Vin, -Vin, & tach): UL 1007, 26 AWG
 4 wire versions (+Vin, -Vin, tach, & PWM): UL 1007, 28 AWG

MOUNTING SCREW (Pan Head)			
Screw Type	Size	Standard	Torque
Machine Screw	M3	JIS B1111-1974	7.5 kgf-cm
Self-tapping Screw	M4	JIS B1122 Type 2	7.5 kgf-cm

CFM-4028BG

WIRE CONNECTIONS	
Wire Color	Function
Red	+Vin
Black	-Vin
Yellow ^a	Tach Signal
Blue ^a	PWM



Notes: ^a Wires only present on versions with output signals.

APPLICATION NOTES

Auto Restart Protection

When the fan motor is locked by an external force, the device will temporarily turn off electrical power to the motor and restart automatically when the locked rotor condition is released.

Polarity Protection

Able to withstand 10 minutes of reverse polarity connection between the positive and negative wires without causing damage.

Tachometer Signal (Yellow Wire)

The tachometer signal is for detecting the rotational speed of the fan motor. The output will be a square wave when fan is operating and V_{FG} or V_{CE} depending on the locked rotor position when fan motor is locked (See Figures 1~2 below).

Figure 1: Tachometer Output Circuit

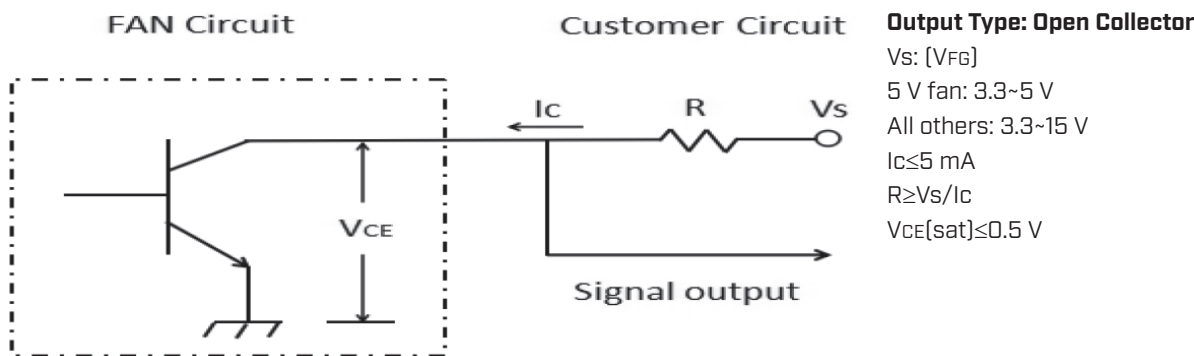
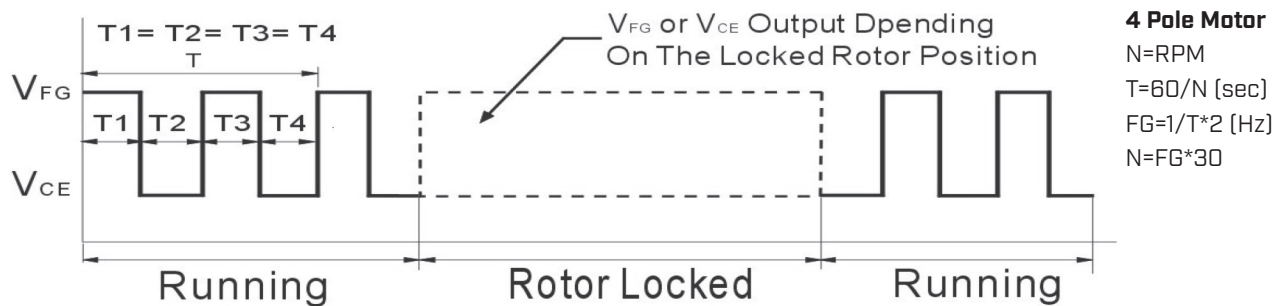


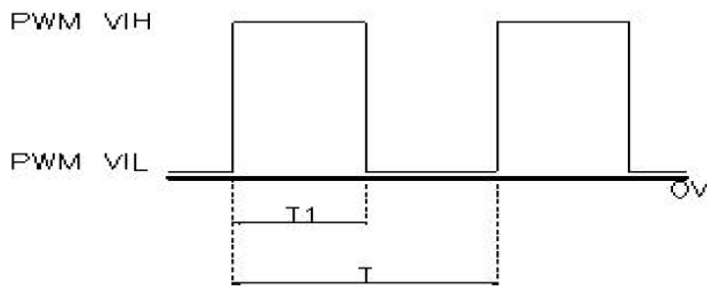
Figure 2: Tachometer Output Waveform



PWM Signal (Blue Wire)

This wire is for speed control of the fan motor using a PWM input signal from the customer circuit (See Figure 3 below).

Figure 3: PWM Input Signal



PWM Duty Cycle [%] = $T1/T \times 100\%$
 PWM Frequency Range: 20~30 kHz
 PWM VIH = 2.8~5.5 V
 PWM VIL = 0~0.6 V

Soft Start

When the fan power is on, the current will increase slowly (~15 seconds) until the fan reaches the rated speed.

REVISION HISTORY

rev.	description	date
1.0	initial release	10/14/2021
1.01	added new models	01/20/2022
1.02	added PWM signal versions	05/24/2022
1.03	logo, datasheet style update	08/12/2022

The revision history provided is for informational purposes only and is believed to be accurate.



CUI Devices offers a one (1) year limited warranty. Complete warranty information is listed on our website.

CUI Devices reserves the right to make changes to the product at any time without notice. Information provided by CUI Devices is believed to be accurate and reliable. However, no responsibility is assumed by CUI Devices for its use, nor for any infringements of patents or other rights of third parties which may result from its use.

CUI Devices products are not authorized or warranted for use as critical components in equipment that requires an extremely high level of reliability. A critical component is any component of a life support device or system whose failure to perform can be reasonably expected to cause the failure of the life support device or system, or to affect its safety or effectiveness.

cuidevices.com