

CS28-02W57-07-1X

Rev. 5-2023
RoHS3 & REACH
IP67 Front Face
Round Speakers



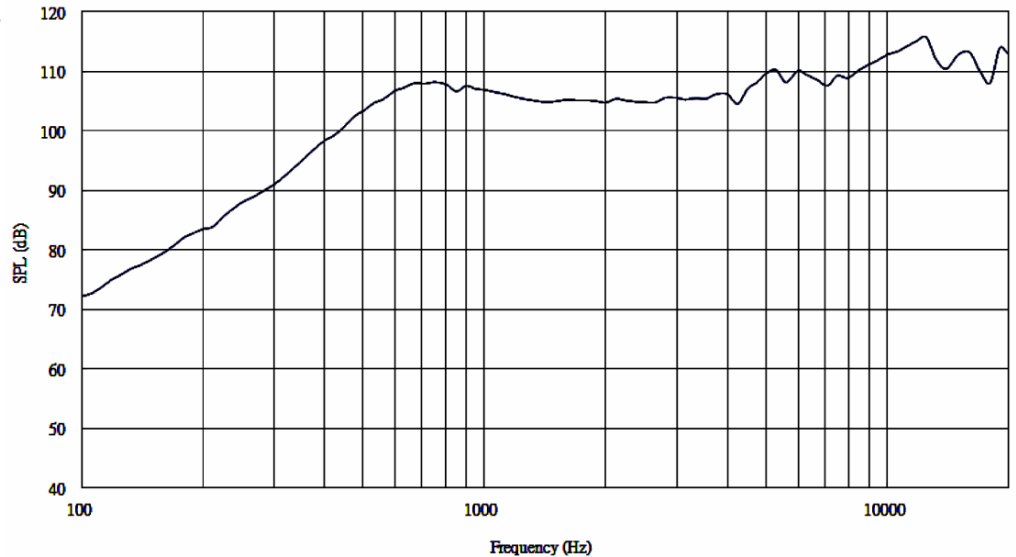
Operating Characteristics

ELECTRICAL

Rated Power	2.0 W
Short Term Max Power	3.0 W
Impedance	4 Ω ± 20 % 2000 Hz; 0.25 W

ACOUSTIC: Baffle Board

f_o	570 Hz ± 20 % 0.25 W
Freq. Range	570 to 20000 Hz
Rated SPL	103 ± 3 dB 800, 1000, 1200, 1500 Hz; 2.0 W; 10 cm;
Distortion	< 10 % 1000 Hz; 1 W



Physical Characteristics

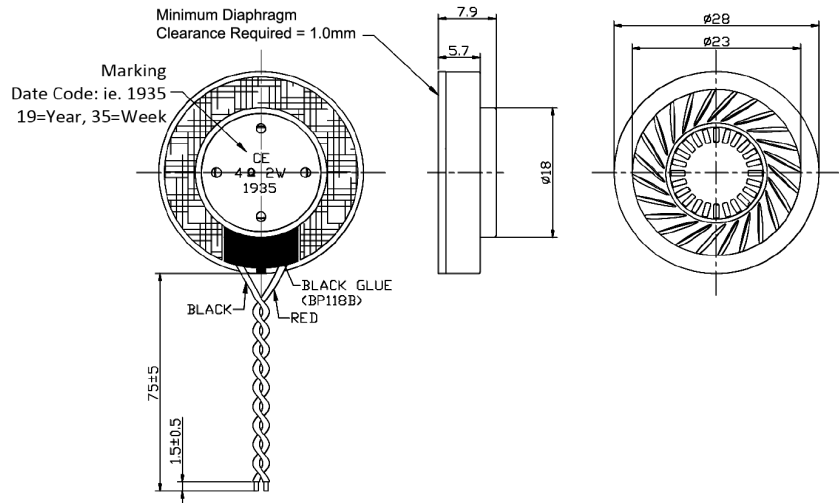
MATERIALS

Housing	PBT
Cone	PET
Magnet	NdFeB
Wire(s)	UL 3302, 30 AWG 0.7mm OD

TEMPERATURE RANGES

Operating	-30 to +70 °C
Storage	-40 to +85 °C

Weight 10 g



General tolerance = ±0.3 mm and all measurements in mm unless otherwise noted.

Revision	Description	By	Date
4-2022	Added minimum diaphragm clearance required callout to the mechanical drawing. Added product photo.	CT	2022-05-12
5-2023	Updated photo.	CT	2023-01-24

Warranty: For a period of one (1) year from date of shipping under normal operations conditions. This warranty does not apply to products damaged through misuse, abuse, improper installation, alteration, rework, or attempt to repair.

The information contained herein is believed to be correct, but no guarantee or warranty, express or implied, with respect to accuracy, completeness or results is extended and no liability is assumed. Challenge Electronics reserves the right to make changes in any specification, data or material contained herein.