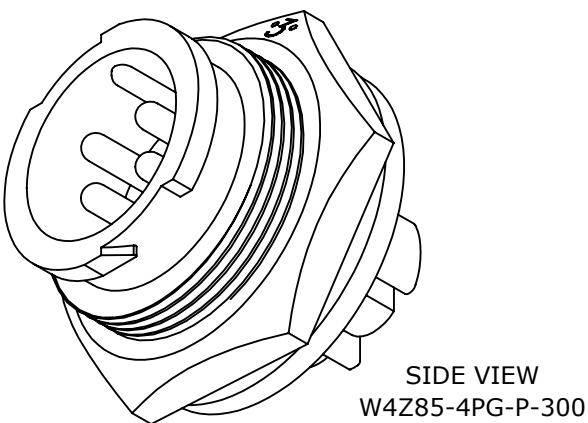
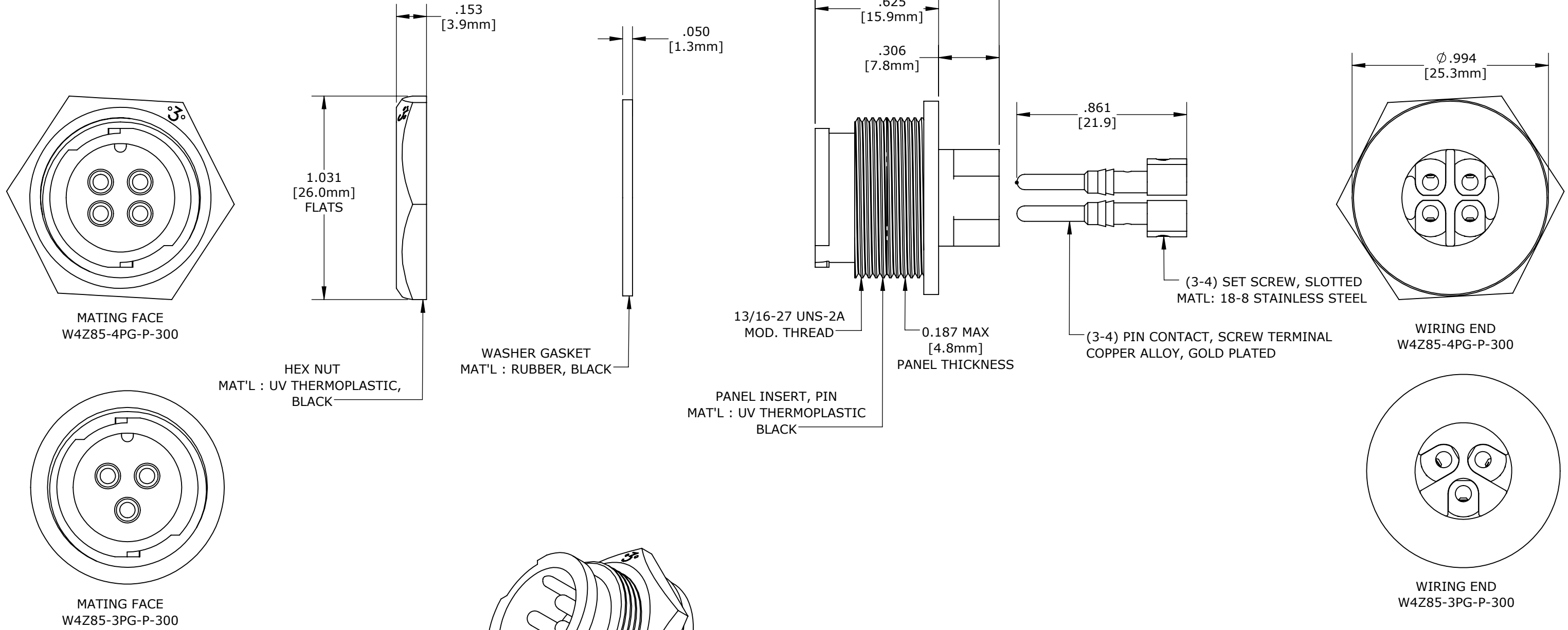


CUSTOMER PRINT

PART NUMBER: W4Z85-XPG-P-300

- NOTES:
1. ALL PARTS TO BE BULK PACKED UNLESS NOTED.
 2. INSTA CLICK PANEL MOUNT ASSEMBLY IS SUPPLIED WITH CONTACTS INSERTED INTO THE CONNECTOR WITH HEX SCREWS ALL READY TO SCREW WIRE ON FIELD. ACCEPTS WIRE 12, 14 AND 16 AWG.
 3. ALL DIMENSIONS ARE REFERENCED IN INCHES [MM], WITHIN ± 0.015 UNLESS NOTED.

ASSEMBLY PART NUMBERS	CONTACT #	SIZE
W4Z85-3PG-P-300	3 #	14
W4Z85-4PG-P-300	4 #	14



CUSTOMER APPROVAL

THIS DOCUMENT CONTAINS CONFIDENTIAL INFORMATION PROPRIETARY TO CONXALL CORPORATION. ANY REPRODUCTION, DISCLOSURE, OR USE OF THIS DOCUMENT /INFORMATION IS EXPRESSLY PROHIBITED UNLESS AUTHORIZED IN WRITING BY CONXALL CORPORATION.

APPROVED BY: _____

DATE: _____

RoHS COMPLIANT

0A	AM	02/24/22	FIRST DRAWN
REV.	INIT.	DATE	DESCRIPTION
			ALL INFORMATION ILLUSTRATED IS THE PROPERTY OF CONXALL CORPORATION. UNAUTHORIZED DUPLICATION OR DISTRIBUTION OF THIS DOCUMENT IS PROHIBITED.
			ORIG. DRAWN BY: AM DATE: 02/24/22
			CHECKED BY:
			APPROVED BY:
			TITLE: PANEL MOUNT ASSEMBLY (3-4) #14 PIN CONTACTS
			MULTI CONX INSTA-CLICK SCREW TERMINAL STANDARD PRODUCT
			CUSTOMER:
			PART NUMBER: W4Z85-XPG-P-300
			REV 0A

