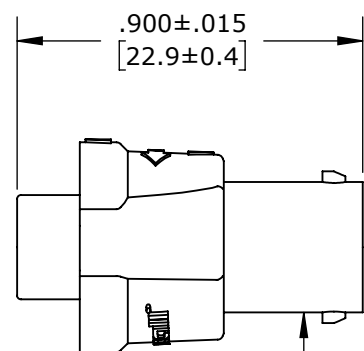
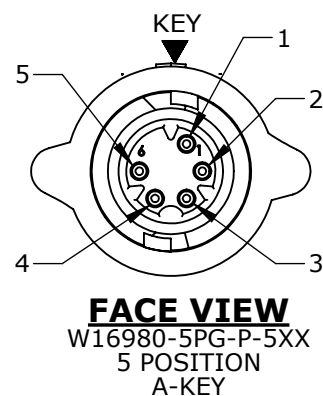


APPROVED BY: DATE: MFG. ENG. QA

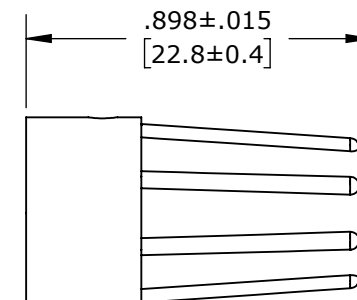
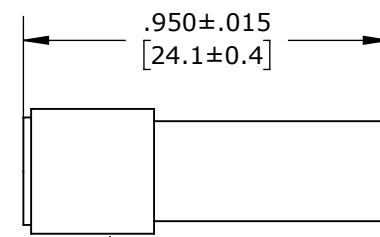
ASS'Y P/N	CONTACT QTY.	CABLE O.D. RANGE
W16980-5PG-P-518	5	0.18 - 0.20 [4.6 - 5.1]
W16980-5PG-P-521	5	0.21 - 0.22 [5.3 - 5.6]
W16980-5PG-P-522	5	0.22 - 0.23 [5.6 - 5.8]
W16980-6PG-P-518	6	0.18 - 0.20 [4.6 - 5.1]
W16980-6PG-P-521	6	0.21 - 0.22 [5.3 - 5.6]
W16980-6PG-P-522	6	0.22 - 0.23 [5.6 - 5.8]
W16980-7PG-P-518	7	0.18 - 0.20 [4.6 - 5.1]
W16980-7PG-P-521	7	0.21 - 0.22 [5.3 - 5.6]
W16980-7PG-P-522	7	0.22 - 0.23 [5.6 - 5.8]
W16980-XPG-P-5XX		

NOTES:

1. ALL PARTS ARE BULK PACKED.
2. REFER TO DRAWING HPMCSTD FOR CONTACT PATTERNS.
3. ALL DIMENSIONS ARE REFERENCE ONLY IN INCHES [mm], WITHIN ±0.015 UNLESS OTHERWISE NOTED.

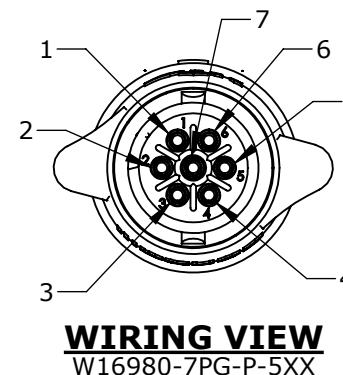
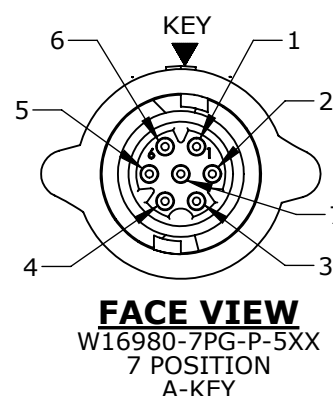
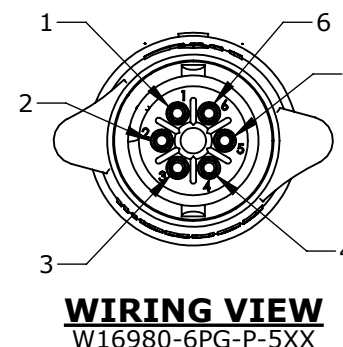
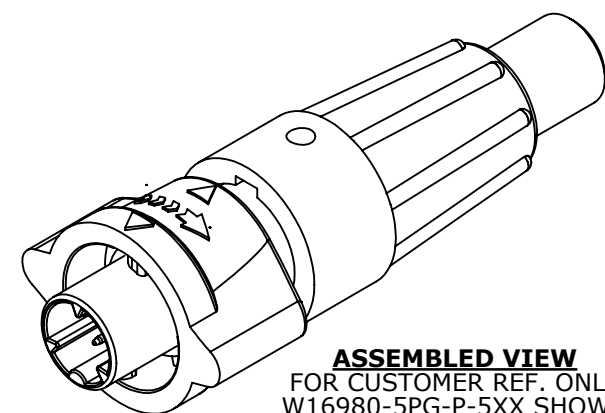
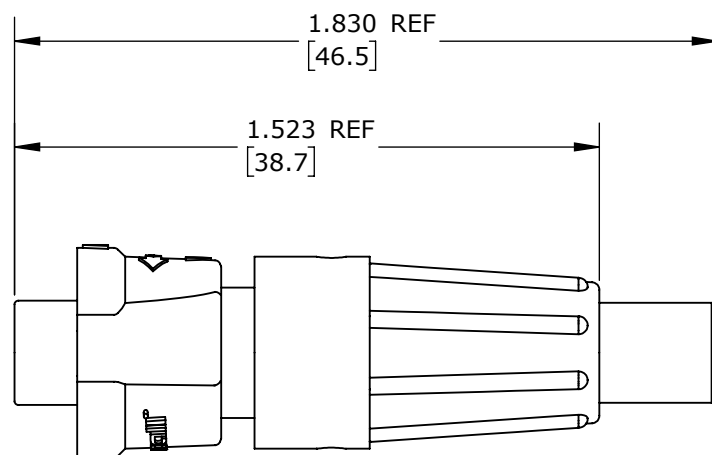
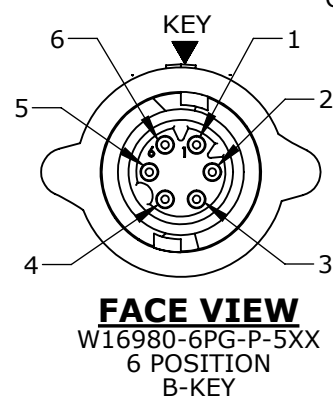
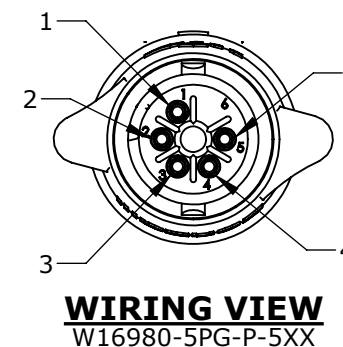


(5-7) # 26 PIN CONTACTS
CRIMP TAIL
MAT'L: GOLD PLATED, COPPER ALLOY



OF CONTACTS

GROMMET SIZE = CABLE O.D. RANGE:
518 = 0.18 - 0.20 [4.6 - 5.1]
521 = 0.21 - 0.22 [5.3 - 5.6]
522 = 0.22 - 0.23 [5.6 - 5.8]



CUSTOMER APPROVAL

THIS DOCUMENT CONTAINS CONFIDENTIAL INFORMATION PROPRIETARY TO CONXALL CORPORATION. ANY REPRODUCTION, DISCLOSURE, OR USE OF THIS DOCUMENT /INFORMATION IS EXPRESSLY PROHIBITED UNLESS AUTHORIZED IN WRITING BY CONXALL CORPORATION.

APPROVED BY: _____
DATE: _____

RoHS COMPLIANT

0A	JGK	9/09/19	DRAWING CREATED FOR PDR #18004.	
REV.	INIT.	DATE	DESCRIPTION	
	JGK	9/09/19	ALL INFORMATION ILLUSTRATED IS THE PROPERTY OF "CONXALL CORPORATION". UNAUTHORIZED DUPLICATION OR DISTRIBUTION OF THIS DOCUMENT IS PROHIBITED. ALL UNITS ARE IN FEET, INCHES, FRACTION OF INCHES AND DECIMALS. UNLESS OTHERWISE SPECIFIED TOLERANCES: 3 PLACE DECIMALS ±.005 ANGLES ±1° FRACTIONS ±1/16 ▽ - CRITICAL CHARACTERISTIC FLAG PER SPEC. XXXX	
APPROVED BY:			 601 E. WILDWOOD VILLA PARK, IL 60181 TITLE: CABLE-END ASSEMBLY 5-7 #26 PIN CONTACTS, CRIMP INSTA-CLICK, MICRO-CON-X STANDARD PRODUCT CUSTOMER:	
SCALE	SIZE	SHEET	PART NUMBER: W16980-XPG-P-5XX	
NTS	B	1 OF 1	REV 0A	
FILE:	DIRECTORY:	PART NUMBER:		
W16980-XPG-P-5XX	SLW	W16980-XPG-P-5XX		

CUSTOMER PRINT

PART NUMBER: W16980-XPG-P-5XX

PRELIMINARY

DIMENSIONS IS BRACKETS [] ARE METRIC