

PERFECT cable gland

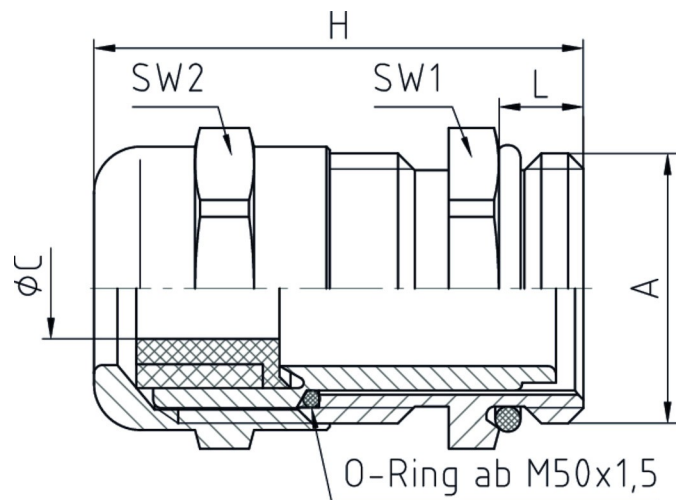
50.6xx M/R

Dome nut	Brass CuZn39Pb3, nickel-plated
Lamellar insert	Polyamide PA6 V-2
Sealing ring/outer part	Polychloroprene-Nitrile rubber CR/NBR
Sealing ring/inner part	TPE TPS
Gland body	Brass CuZn39Pb3, nickel-plated
O-ring	Nitrile rubber NBR
Connecting thread	metric, as per EN 60423



Properties


	<ul style="list-style-type: none"> reducing sealing ring for small cable diameter integrated anchorage wide sealing and clamping range protection against twisting easy-to-install
Temperature range	-20 °C / +100 °C (dynamic) -40 °C (static, short term)
Protection grade	IP68 / IP69K* 5 bar
Test standard	EN 62444 UL 514B
VDE licence	40020901
DNV GL Certificate	TAE0000386
UL / CSA-File	E140310
Comment	details about test results - see annex



Features

Connecting thread standard length

A	ØC	L	SW1	SW2	H	VPE	Part No.
M12x1,5	2 - 5	5	14	14	25	100	50.612 M/R**
M16x1,5	3 - 9	5	17	17	30	100	50.616 M/R
M20x1,5	5 - 13	6	22	22	33,5	100	50.620 M/R
M25x1,5	8 - 16	7	27	27	36,5	50	50.625 M/R

A	ØC	L	SW1	SW2	H	 VPE	Part No.
M32x1,5	12 - 20	8	34	34	38	25	50.632 M/R
M40x1,5	16 - 27	8	43	43	41	10	50.640 M/R
M50x1,5	21 - 35	9	55	55	49,5	5	50.650 M/R
M63x1,5	27 - 48	10	65	65	52,5	5	50.663 M/R

*IP69K tested for M12 - M25, M50, M63

** sealing ring, one-piece