

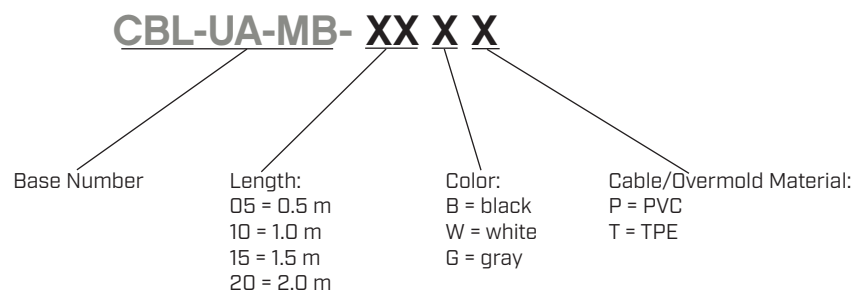
SERIES: CBL-UA-MB | **DESCRIPTION:** USB CABLE

FEATURES

- type A male to mini B male
- USB 2.0
- available in 0.5, 1, 1.5, 2.0 m lengths
- PVC or TPE jacket material
- black, white, and gray color options


SPECIFICATIONS

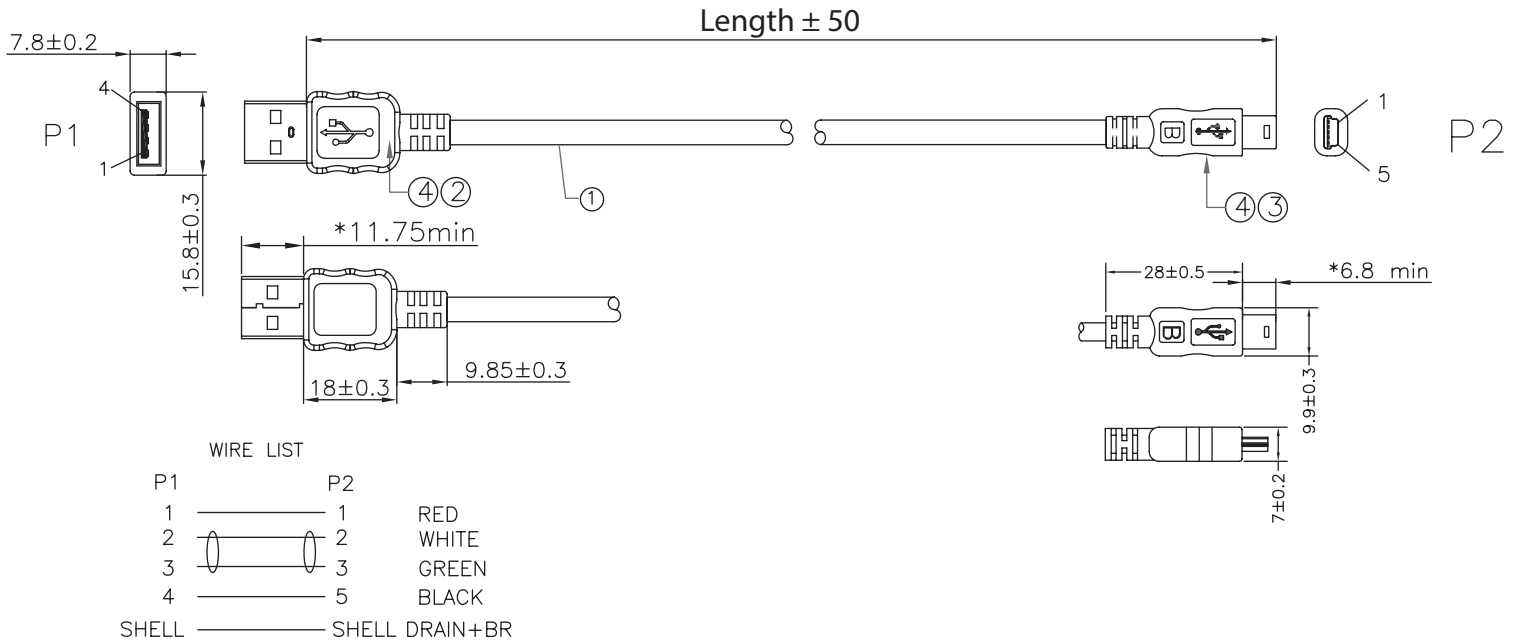
| parameter | conditions/description | min | typ | max | units |
|-----------------------|------------------------|-----|-----|-----|--------------|
| rated voltage | | | 30 | | Vdc |
| rated current | | | | 1 | A |
| conductor resistance | | | | 3 | Ω |
| insulation resistance | at 300 Vdc | 20 | | | M Ω |
| operating temperature | | -20 | | 80 | $^{\circ}$ C |
| flammability rating | see material table | | | | |
| RoHS | yes | | | | |

PART NUMBER KEY


MECHANICAL DRAWING

units: mm
 tolerance:
 $X \leq 30$: ± 1.5 mm
 $31 < X \leq 100$: ± 2.0 mm
 unless otherwise noted

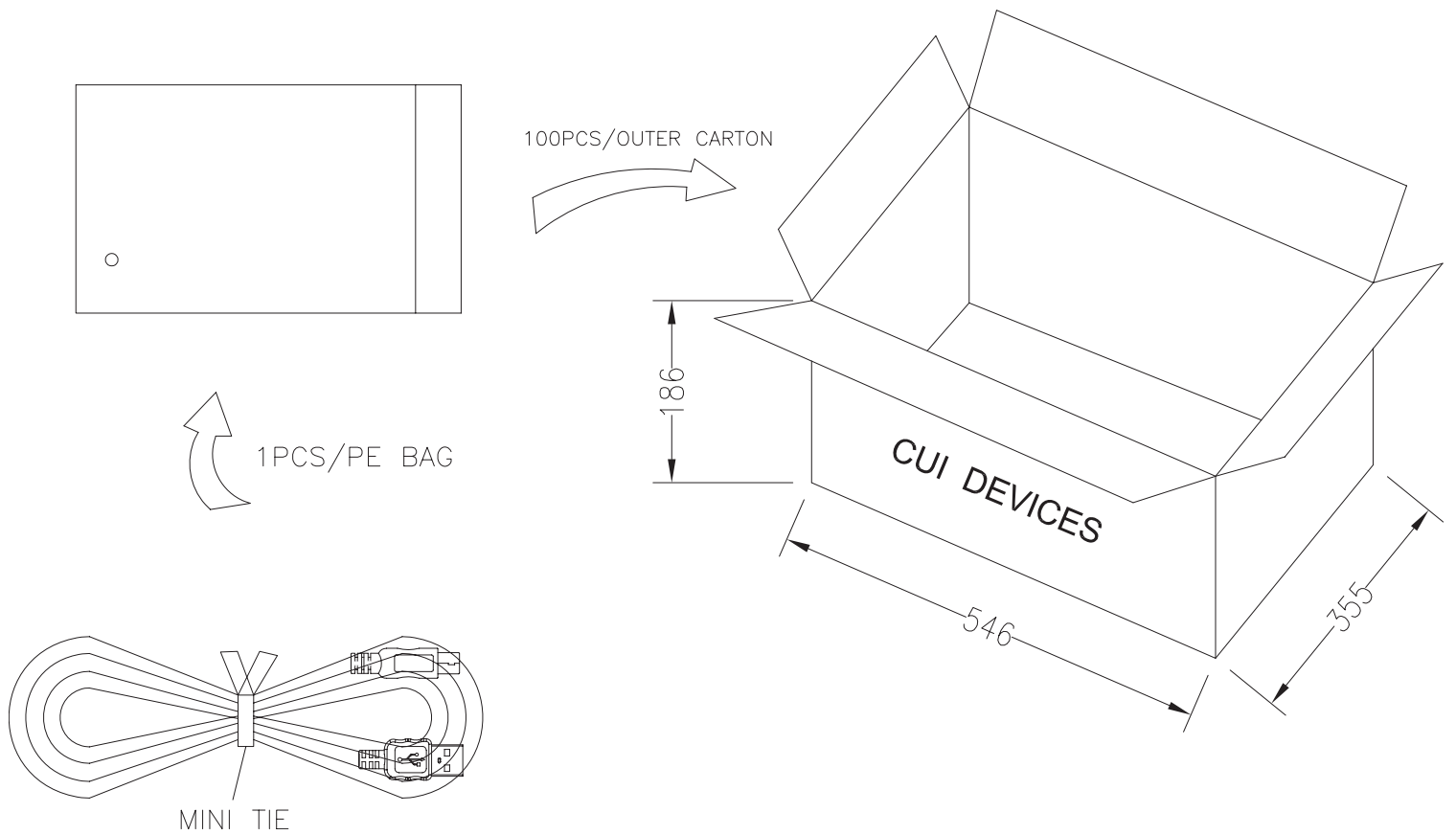
| ITEM | DESCRIPTION |
|------|--|
| 1 | cable (PVC version) UL2725 [#28*1P+#24*2C+AEB (65%) PVC; Black OD=4.7±0.2 mm; 30 V (UL94VW-1) |
| 1 | cable (TPE version) [#28*1P+#24*2C+AEB (65%) TPE; Black OD=4.7±0.2 mm; 30 V (UL94V-0) |
| 2 | connector 1 USB A/M; Color: White; Contact: gold flash; Shell: Ni plated |
| 3 | connector 2 mini USB type B; Color: Black; Contact: gold flash; Shell: Ni plated |
| 4 | overmold PVC 45P or TPE (UL94V-0) |



PACKAGING

units: mm

Carton Size: 546 x 355 x 186 mm
Carton QTY:
0.5 m length models: 200 pcs/carton
1.0 m length models: 150 pcs/carton
1.5 m length models: 150 pcs/carton
2.0 m length models: 100 pcs/carton



REVISION HISTORY

| rev. | description | date |
|------|------------------------------|------------|
| 1.0 | initial release | 11/30/2020 |
| 1.01 | TPE jacket update | 01/19/2021 |
| 1.02 | logo, datasheet style update | 08/05/2022 |

The revision history provided is for informational purposes only and is believed to be accurate.



CUI Devices offers a one (1) year limited warranty. Complete warranty information is listed on our website.

CUI Devices reserves the right to make changes to the product at any time without notice. Information provided by CUI Devices is believed to be accurate and reliable. However, no responsibility is assumed by CUI Devices for its use, nor for any infringements of patents or other rights of third parties which may result from its use.

CUI Devices products are not authorized or warranted for use as critical components in equipment that requires an extremely high level of reliability. A critical component is any component of a life support device or system whose failure to perform can be reasonably expected to cause the failure of the life support device or system, or to affect its safety or effectiveness.

cuidevices.com