

6

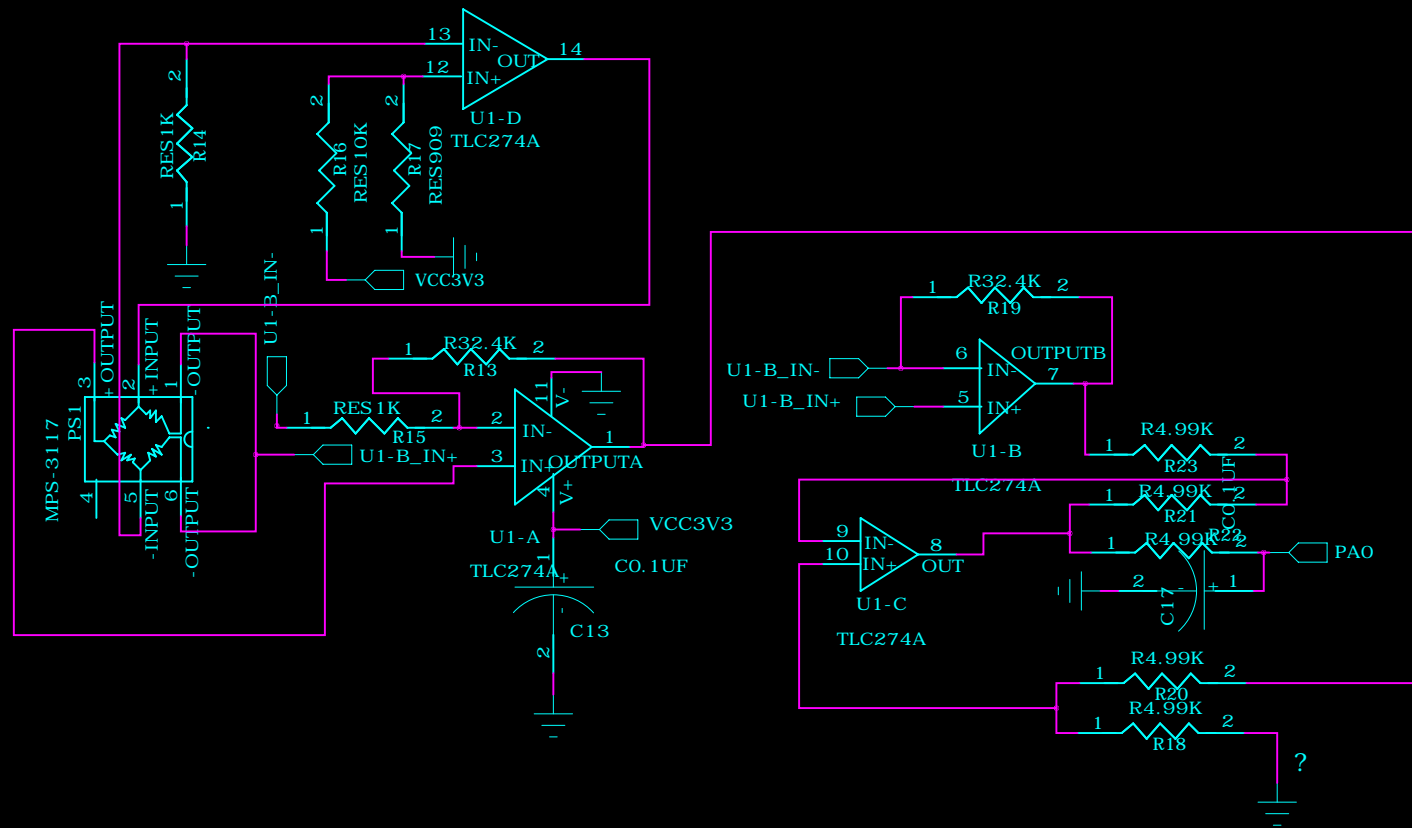
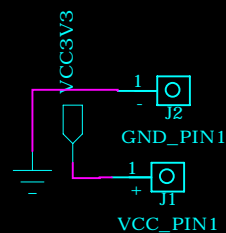
5

4

3

2

1



REVISION RECORD			
LTR	ECO NO:	APPROVED:	DATE:

COMPANY: < Company Name >			
TITLE: < Title >			
CODE: < Code >	SIZE: < Drawing Number >	DRAWING NO: < Revision >	REV: < >
RELEASED: < Released By >		SHEET: 1 OF 1	

DRAWN: < Drawn By >	DATED: < Drawn Date >
CHECKED: < Checked By >	DATED: < Checked Date >
QUALITY CONTROL: < QC By >	DATED: < QC Date >
RELEASED: < Released By >	DATED: < Release Date >

D

C

B

A

D

C

B

A