

Customer Information Sheet

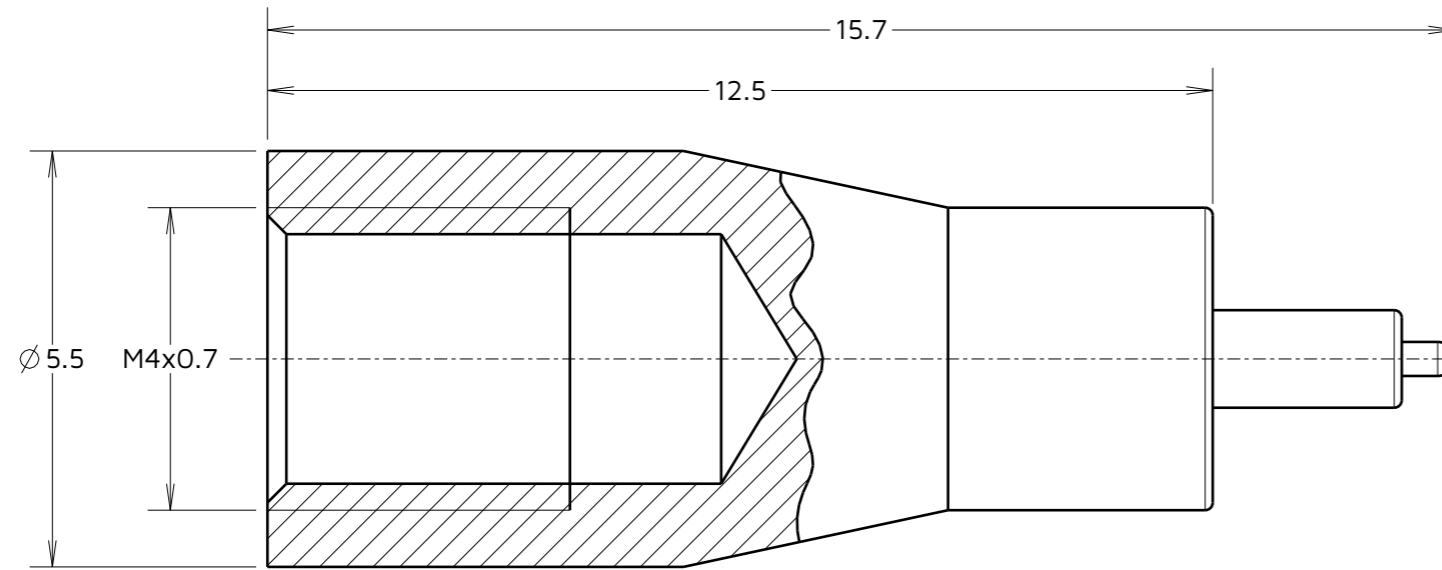
IF IN DOUBT - ASK

©

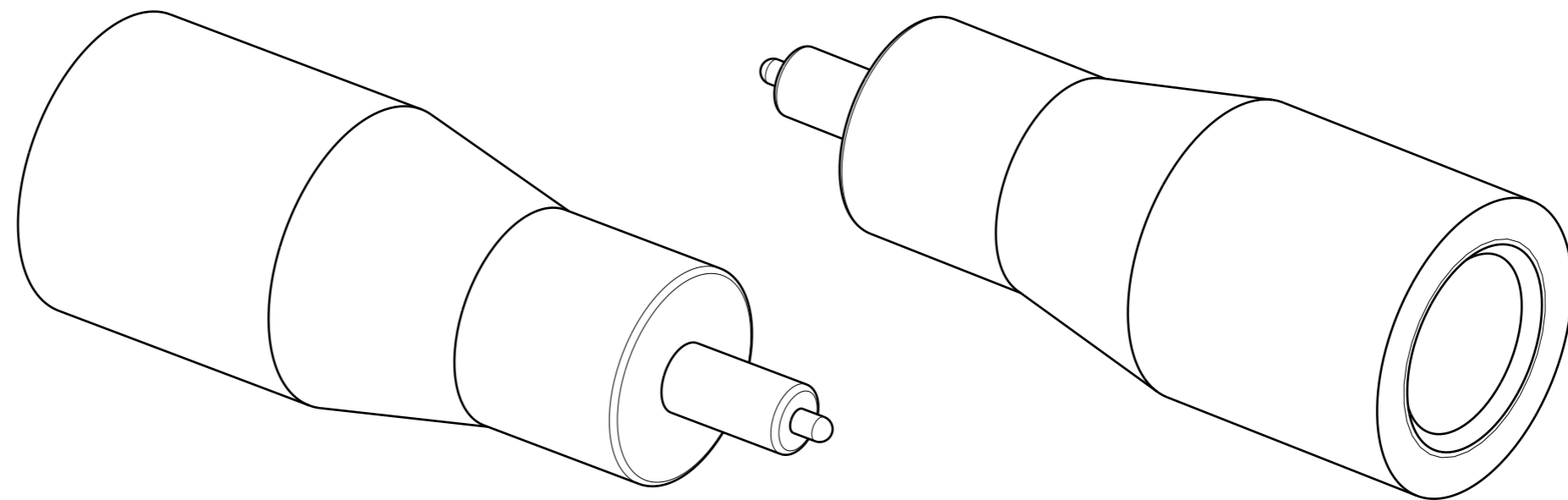
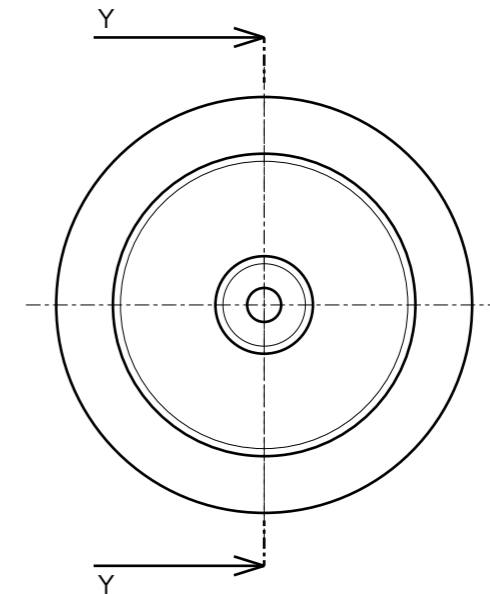
NOT TO SCALE

THIRD ANGLE PROJECTION

ALL DIMENSIONS IN mm



PART SECTION Y-Y



NOTES:

1. TIP IS SUITABLE FOR USE WITH INSERTION AND WITHDRAWAL TOOL Z80-280.
2. FOR USE WITH M80-01100XX, M80-01300XX & M80-01900XX CRIMP CONTACTS.
3. SEE TOOLING INSTRUCTION SHEET IS-25 FOR INSERTION AND WITHDRAWAL INSTRUCTIONS.

RTP	4	07.09.23	32998
NAME	ISS.	DATE	CN/CO
APPROVED: R.PORTLOCK			
CHECKED: M.PLESTED			
DRAWN: R.PORTLOCK			
ASSEMBLY DRG:			

HARWIN

www.harwin.com

TOLERANCES
 X. = ±1mm
 X.X = ±0.50mm
 X.XX = ±0.20mm
 X.XXX = ±0.01mm
 ANGLES = ±5°
 UNLESS STATED

THIS DRAWING AND ANY INFORMATION OR DESCRIPTIVE MATTER SET OUT HEREON ARE CONFIDENTIAL AND COPYRIGHT PROPERTY OF THE HARWIN GROUP AND MUST NOT BE DISCLOSED, LOANED, COPIED OR USED FOR MANUFACTURING, FENDERING OR FOR ANY OTHER PURPOSE WITHOUT THEIR WRITTEN PERMISSION.

MATERIAL:
 STAINLESS STEEL

TITLE:
 SOCKET CONTACT
 EXTRACTION TOOL

DRAWING NUMBER:
 Z80-044E

SHT
 2
 OF
 2