



Surge suppressor, RC element, 240 ... 400 V AC, for contactor relays and motor contactors Size S00

General technical data		
product brand name		SIRIUS
product designation		surge suppressor
size of contactor		S00
design of the surge suppressor		with RC elements
ambient temperature		
• during storage	°C	-40 ... +80
• during operation	°C	-25 ... +60
Control circuit/ Control		
type of voltage of the control supply voltage		AC
control supply voltage frequency		
• 1 rated value	Hz	50
• 2 rated value	Hz	60
control supply voltage 1		
• at AC		
— at 50 Hz	V	240 ... 400
— at 60 Hz	V	400 ... 240
Installation/ mounting/ dimensions		
mounting position		any
fastening method		clip-on
width	mm	28
height	mm	46
depth	mm	9
Certificates/ approvals		
certificate of suitability		CE / UL / CSA / CCC
General Product Approval	EMC	Declaration of Conformity



Declaration of Conformity

Test Certificates

Shipping Approval

[Miscellaneous](#)

[Special Test Certificate](#)

[Type Test Certificates/Test Report](#)



Shipping Approval	other	Railway
-------------------	-------	---------



[Confirmation](#)



[Vibration and Shock](#)

Further information

Information- and Downloadcenter (Catalogs, Brochures,...)

<https://www.siemens.com/ic10>

Industry Mall (Online ordering system)

<https://mall.industry.siemens.com/mall/en/en/Catalog/product?mlfb=3RT2916-1CE00>

Cax online generator

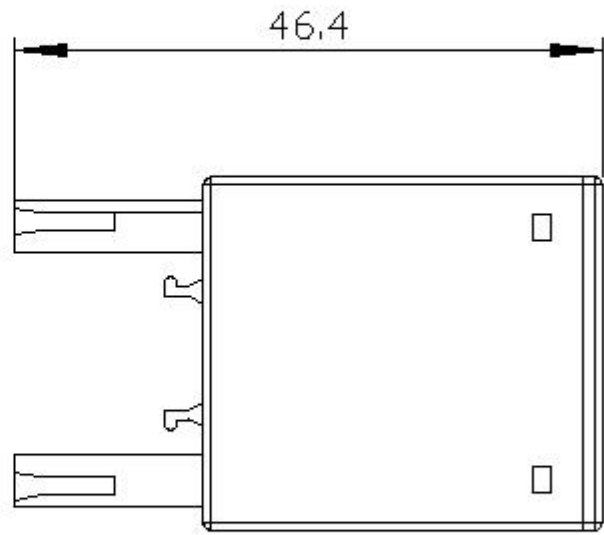
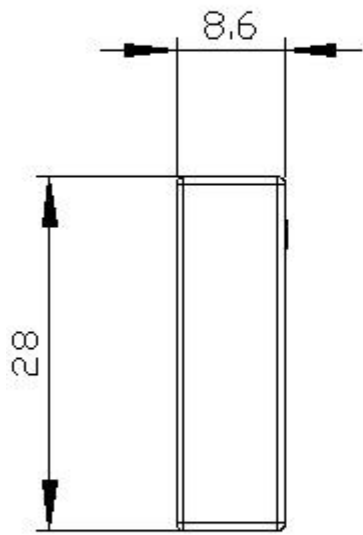
<http://support.automation.siemens.com/WW/CAXorder/default.aspx?lang=en&mlfb=3RT2916-1CE00>

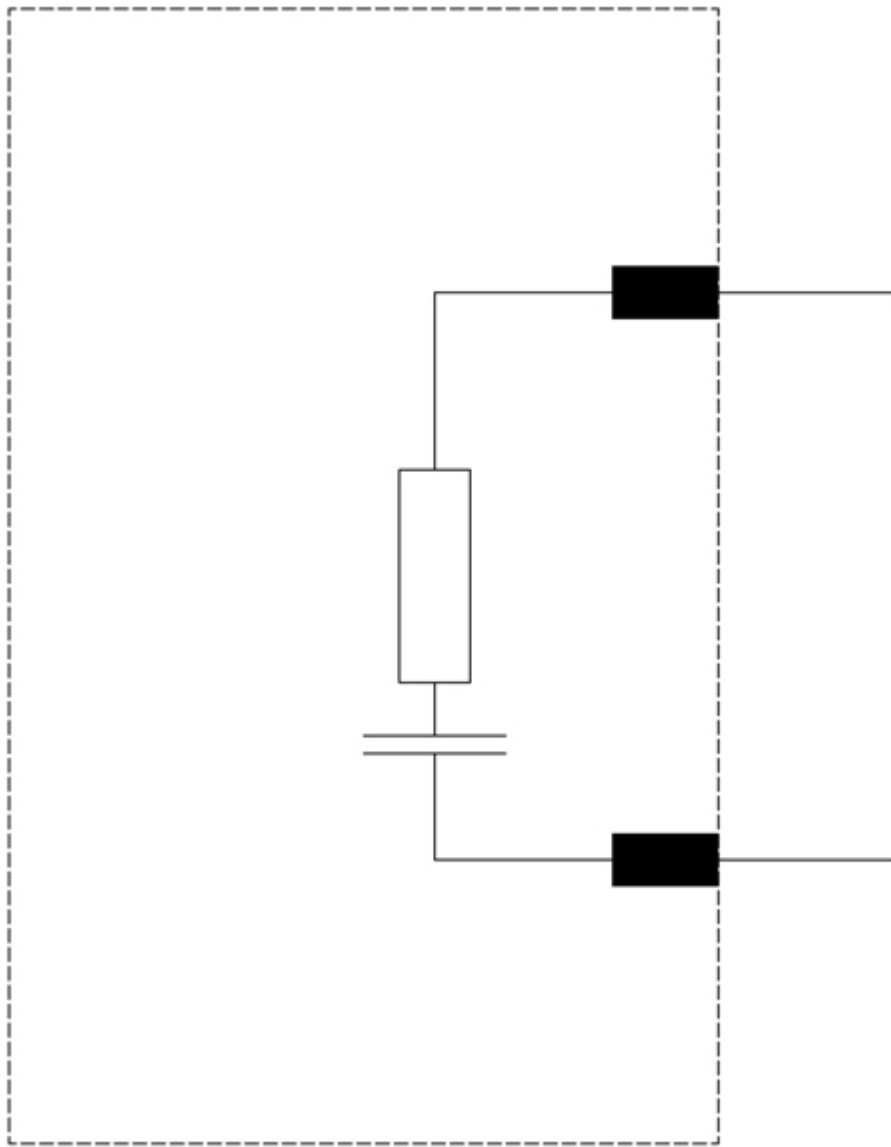
Service&Support (Manuals, Certificates, Characteristics, FAQs,...)

<https://support.industry.siemens.com/cs/ww/en/ps/3RT2916-1CE00>

Image database (product images, 2D dimension drawings, 3D models, device circuit diagrams, EPLAN macros, ...)

http://www.automation.siemens.com/bilddb/cax_de.aspx?mlfb=3RT2916-1CE00&lang=en





last modified:

11/4/2020 