



Molded plastic front plate Degree of protection IP55 with emergency stop rotary operating mechanism can be locked for circuit breaker Size S00, S0, S2, S3

General technical data			
product designation		ISO front plate with EMERGENCY OFF	
design of the product		Installation	
material of the enclosure		plastic	
protection class IP of the enclosure		IP55	
product component transparent cover		No	
Installation/ mounting/ dimensions			
width	mm	85	
height	mm	107	
depth	mm	31	
Certificates/ approvals			
Declaration of Conformity	Test Certificates	Shipping Approval	other

[Miscellaneous](#)



[Type Test Certificates/Test Report](#)



[Confirmation](#)

Further information

Information- and Downloadcenter (Catalogs, Brochures,...)

<https://www.siemens.com/ic10>

Industry Mall (Online ordering system)

<https://mall.industry.siemens.com/mall/en/en/Catalog/product?mlfb=3RV1923-4E>

Cax online generator

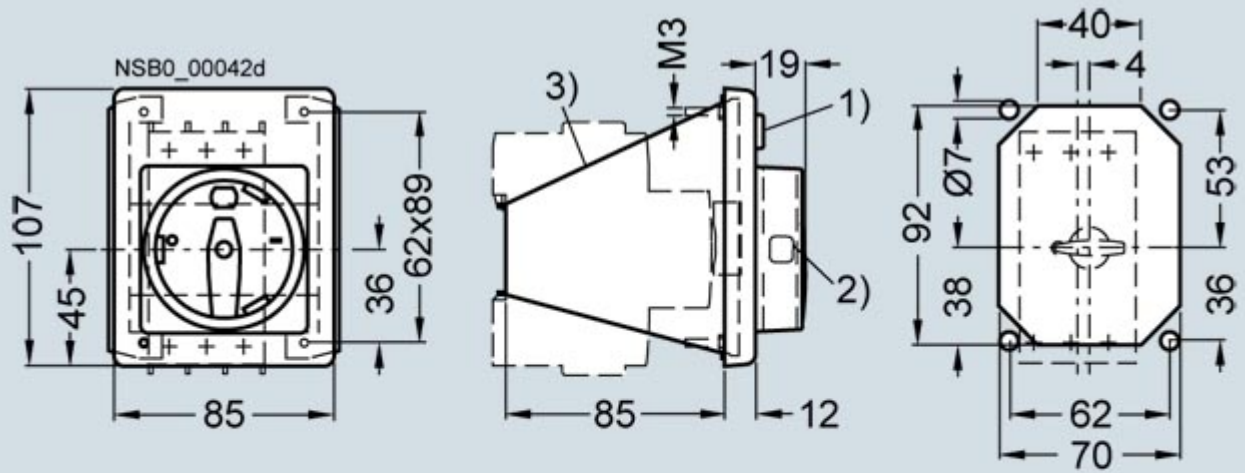
<http://support.automation.siemens.com/WW/CAXorder/default.aspx?lang=en&mlfb=3RV1923-4E>

Service&Support (Manuals, Certificates, Characteristics, FAQs,...)

<https://support.industry.siemens.com/cs/ww/en/ps/3RV1923-4E>

Image database (product images, 2D dimension drawings, 3D models, device circuit diagrams, EPLAN macros, ...)

http://www.automation.siemens.com/bilddb/cax_de.aspx?mlfb=3RV1923-4E&lang=en



- 1) 3RV19 03-5 indicator light.
- 2) Opening for padlock with shackle diameter from 6 mm ... 8 mm.
- 3) 3RV19 23-4G holder.

last modified:

5/15/2020