



SIRIUS soft starter 200-480 V 570 A, 24 V AC/DC Screw terminals
Thermistor input

product brand name	SIRIUS
product category	Hybrid switching devices
product designation	Soft starter
product type designation	3RW52
manufacturer's article number	
<ul style="list-style-type: none"> • of standard HMI module usable • of high feature HMI module usable • of communication module PROFINET standard usable • of communication module PROFIBUS usable • of communication module Modbus TCP usable • of communication module Modbus RTU usable • of communication module Ethernet/IP • of circuit breaker usable at 400 V • of circuit breaker usable at 500 V • of circuit breaker usable at 400 V at inside-delta circuit • of circuit breaker usable at 500 V at inside-delta circuit • of the gG fuse usable up to 690 V • of the gG fuse usable at inside-delta circuit up to 500 V • of full range R fuse link for semiconductor protection usable up to 690 V • of back-up R fuse link for semiconductor protection usable up to 690 V 	<ul style="list-style-type: none"> 3RW5980-0HS00 3RW5980-0HF00 3RW5980-0CS00 3RW5980-0CP00 3RW5980-0CT00 3RW5980-0CR00 3RW5980-0CE00 3VA2580-6HN32-0AA0; Type of coordination 1, Iq = 65 kA, CLASS 10 3VA2580-6HN32-0AA0; Type of coordination 1, Iq = 65 kA, CLASS 10 3VA2510-6HN32-0AA0; Type of coordination 1, Iq = 65 kA, CLASS 10 3VA2510-6HN32-0AA0; Type of coordination 1, Iq = 65 kA, CLASS 10 2x3NA3365-6; Type of coordination 1, Iq = 65 kA 2x3NA3365-6; Type of coordination 1, Iq = 65 kA 3NE1437-2; Type of coordination 2, Iq = 65 kA 3NE3340-8; Type of coordination 2, Iq = 65 kA
General technical data	
starting voltage [%]	30 ... 100 %
stopping voltage [%]	50 ... 50 %
start-up ramp time of soft starter	0 ... 20 s
current limiting value [%] adjustable	130 ... 700 %
certificate of suitability	
<ul style="list-style-type: none"> • CE marking • UL approval • CSA approval 	<ul style="list-style-type: none"> Yes Yes Yes
product component is supported	
<ul style="list-style-type: none"> • HMI-Standard • HMI-High Feature 	<ul style="list-style-type: none"> Yes Yes
product feature integrated bypass contact system	Yes

number of controlled phases	3
trip class	CLASS 10A (default) / 10E / 20E; acc. to IEC 60947-4-2
buffering time in the event of power failure	
• for main current circuit	100 ms
• for control circuit	100 ms
insulation voltage rated value	600 V
degree of pollution	3, acc. to IEC 60947-4-2
impulse voltage rated value	6 kV
blocking voltage of the thyristor maximum	1 600 V
service factor	1
surge voltage resistance rated value	6 kV
maximum permissible voltage for safe isolation	
• between main and auxiliary circuit	600 V
utilization category acc. to IEC 60947-4-2	AC 53a
shock resistance	15 g / 11 ms, from 12 g / 11 ms with potential contact lifting
vibration resistance	15 mm to 6 Hz; 2g to 500 Hz
reference code acc. to IEC 81346-2	Q
product function	
• ramp-up (soft starting)	Yes
• ramp-down (soft stop)	Yes
• Soft Torque	Yes
• adjustable current limitation	Yes
• pump ramp down	Yes
• intrinsic device protection	Yes
• motor overload protection	Yes; Full motor protection (thermistor motor protection and electronic motor overload protection)
• evaluation of thermistor motor protection	Yes; Type A PTC or Klixon / Thermoclick
• inside-delta circuit	Yes
• auto-RESET	Yes
• manual RESET	Yes
• remote reset	Yes; By turning off the control supply voltage
• communication function	Yes
• operating measured value display	Yes; Only in conjunction with special accessories
• error logbook	Yes; Only in conjunction with special accessories
• via software parameterizable	No
• via software configurable	Yes
• PROFInergy	Yes; in connection with the PROFINET Standard communication module
• firmware update	Yes
• removable terminal for control circuit	Yes
• torque control	No
• analog output	No
Power Electronics	
operational current	
• at 40 °C rated value	570 A
• at 50 °C rated value	504 A
• at 60 °C rated value	460 A
operational current at inside-delta circuit	
• at 40 °C rated value	987 A
• at 50 °C rated value	873 A
• at 60 °C rated value	796 A
operating voltage	
• rated value	200 ... 480 V
• at inside-delta circuit rated value	200 ... 480 V
relative negative tolerance of the operating voltage	-15 %
relative positive tolerance of the operating voltage	10 %
relative negative tolerance of the operating voltage at inside-delta circuit	-15 %
relative positive tolerance of the operating voltage at	10 %

inside-delta circuit	
operating power for 3-phase motors	
• at 230 V at 40 °C rated value	160 kW
• at 230 V at inside-delta circuit at 40 °C rated value	315 kW
• at 400 V at 40 °C rated value	315 kW
• at 400 V at inside-delta circuit at 40 °C rated value	560 kW
Operating frequency 1 rated value	50 Hz
Operating frequency 2 rated value	60 Hz
relative negative tolerance of the operating frequency	-10 %
relative positive tolerance of the operating frequency	10 %
adjustable motor current	
• at rotary coding switch on switch position 1	240 A
• at rotary coding switch on switch position 2	262 A
• at rotary coding switch on switch position 3	284 A
• at rotary coding switch on switch position 4	306 A
• at rotary coding switch on switch position 5	328 A
• at rotary coding switch on switch position 6	350 A
• at rotary coding switch on switch position 7	372 A
• at rotary coding switch on switch position 8	394 A
• at rotary coding switch on switch position 9	416 A
• at rotary coding switch on switch position 10	438 A
• at rotary coding switch on switch position 11	460 A
• at rotary coding switch on switch position 12	482 A
• at rotary coding switch on switch position 13	504 A
• at rotary coding switch on switch position 14	526 A
• at rotary coding switch on switch position 15	548 A
• at rotary coding switch on switch position 16	570 A
• minimum	240 A
adjustable motor current	
• for inside-delta circuit at rotary coding switch on switch position 1	416 A
• for inside-delta circuit at rotary coding switch on switch position 2	454 A
• for inside-delta circuit at rotary coding switch on switch position 3	492 A
• for inside-delta circuit at rotary coding switch on switch position 4	530 A
• for inside-delta circuit at rotary coding switch on switch position 5	568 A
• for inside-delta circuit at rotary coding switch on switch position 6	606 A
• for inside-delta circuit at rotary coding switch on switch position 7	644 A
• for inside-delta circuit at rotary coding switch on switch position 8	682 A
• for inside-delta circuit at rotary coding switch on switch position 9	721 A
• for inside-delta circuit at rotary coding switch on switch position 10	759 A
• for inside-delta circuit at rotary coding switch on switch position 11	797 A
• for inside-delta circuit at rotary coding switch on switch position 12	835 A
• for inside-delta circuit at rotary coding switch on switch position 13	873 A
• for inside-delta circuit at rotary coding switch on switch position 14	911 A
• for inside-delta circuit at rotary coding switch on switch position 15	949 A
• for inside-delta circuit at rotary coding switch on switch position 16	987 A
• at inside-delta circuit minimum	416 A

minimum load [%]	15 %; Relative to smallest settable I _e
power loss [W] for rated value of the current at AC	
• at 40 °C after startup	183 W
• at 50 °C after startup	163 W
• at 60 °C after startup	153 W
power loss [W] at AC at current limitation 350 %	
• at 40 °C during startup	10 241 W
• at 50 °C during startup	8 500 W
• at 60 °C during startup	7 663 W
Control circuit/ Control	
type of voltage of the control supply voltage	AC/DC
• control supply voltage at AC at 50 Hz rated value	24 V
• control supply voltage at AC at 60 Hz rated value	24 V
relative negative tolerance of the control supply voltage at AC at 50 Hz	-20 %
relative positive tolerance of the control supply voltage at AC at 50 Hz	20 %
relative negative tolerance of the control supply voltage at AC at 60 Hz	-20 %
relative positive tolerance of the control supply voltage at AC at 60 Hz	20 %
control supply voltage frequency	50 ... 60 Hz
relative negative tolerance of the control supply voltage frequency	-10 %
relative positive tolerance of the control supply voltage frequency	10 %
• control supply voltage at DC rated value	24 V
relative negative tolerance of the control supply voltage at DC	-20 %
relative positive tolerance of the control supply voltage at DC	20 %
control supply current in standby mode rated value	160 mA
holding current in bypass operation rated value	470 mA
locked-rotor current at close of bypass contact maximum	7.6 A
inrush current peak at application of control supply voltage maximum	3.3 A
duration of inrush current peak at application of control supply voltage	12.1 ms
design of the overvoltage protection	Varistor
design of short-circuit protection for control circuit	4 A gG fuse (I _{cu} =1 kA), 6 A quick-acting fuse (I _{cu} =1 kA), C1 miniature circuit breaker (I _{cu} = 600 A), C6 miniature circuit breaker (I _{cu} = 300 A); Is not part of scope of supply
Inputs/ Outputs	
number of digital inputs	1
number of inputs for thermistor connection	1; Type A PTC or Klixon / Thermoclick
number of digital outputs	3
• not parameterizable	2
digital output version	2 normally-open contacts (NO) / 1 changeover contact (CO)
number of analog outputs	0
switching capacity current of the relay outputs	
• at AC-15 at 250 V rated value	3 A
• at DC-13 at 24 V rated value	1 A
Installation/ mounting/ dimensions	
mounting position	with vertical mounting surface +/-90° rotatable, with vertical mounting surface +/- 22.5° tiltable to the front and back
fastening method	screw fixing
height	393 mm
width	210 mm
depth	203 mm
required spacing with side-by-side mounting	

<ul style="list-style-type: none"> • forwards • backwards • upwards • downwards • at the side 	<p>10 mm</p> <p>0 mm</p> <p>100 mm</p> <p>75 mm</p> <p>5 mm</p>
weight without packaging	10.6 kg
Connections/ Terminals	
type of electrical connection	
<ul style="list-style-type: none"> • for main current circuit • for control circuit 	<p>busbar connection</p> <p>screw-type terminals</p>
width of connection bar maximum	45 mm
wire length for thermistor connection	
<ul style="list-style-type: none"> • with conductor cross-section = 0.5 mm² maximum • with conductor cross-section = 1.5 mm² maximum • with conductor cross-section = 2.5 mm² maximum 	<p>50 m</p> <p>150 m</p> <p>250 m</p>
type of connectable conductor cross-sections	
<ul style="list-style-type: none"> • for DIN cable lug for main contacts stranded • for DIN cable lug for main contacts finely stranded 	<p>2x (50 ... 240 mm²)</p> <p>2x (70 ... 240 mm²)</p>
type of connectable conductor cross-sections	
<ul style="list-style-type: none"> • for control circuit solid • for control circuit finely stranded with core end processing • at AWG cables for control circuit solid 	<p>1x (0.5 ... 4.0 mm²), 2x (0.5 ... 2.5 mm²)</p> <p>1x (0.5 ... 2.5 mm²), 2x (0.5 ... 1.5 mm²)</p> <p>1x (20 ... 12), 2x (20 ... 14)</p>
wire length	
<ul style="list-style-type: none"> • between soft starter and motor maximum • at the digital inputs at AC maximum • at the digital inputs at DC maximum 	<p>800 m</p> <p>100 m</p> <p>1 000 m</p>
tightening torque	
<ul style="list-style-type: none"> • for main contacts with screw-type terminals • for auxiliary and control contacts with screw-type terminals 	<p>14 ... 24 N·m</p> <p>0.8 ... 1.2 N·m</p>
tightening torque [lbf·in]	
<ul style="list-style-type: none"> • for main contacts with screw-type terminals • for auxiliary and control contacts with screw-type terminals 	<p>124 ... 210 lbf·in</p> <p>7 ... 10.3 lbf·in</p>
Ambient conditions	
installation altitude at height above sea level maximum	5 000 m; Derating as of 1000 m, see catalog
<ul style="list-style-type: none"> • ambient temperature during operation • ambient temperature during storage and transport 	<p>-25 ... +60 °C; Please observe derating at temperatures of 40 °C or above</p> <p>-40 ... +80 °C</p>
environmental category	
<ul style="list-style-type: none"> • during operation acc. to IEC 60721 • during storage acc. to IEC 60721 • during transport acc. to IEC 60721 	<p>3K6 (no ice formation, only occasional condensation), 3C3 (no salt mist), 3S2 (sand must not get into the devices), 3M6</p> <p>1K6 (only occasional condensation), 1C2 (no salt mist), 1S2 (sand must not get inside the devices), 1M4</p> <p>2K2, 2C1, 2S1, 2M2 (max. fall height 0.3 m)</p>
EMC emitted interference	acc. to IEC 60947-4-2: Class A
Communication/ Protocol	
communication module is supported	
<ul style="list-style-type: none"> • PROFINET standard • EtherNet/IP • Modbus RTU • Modbus TCP • PROFIBUS 	<p>Yes</p> <p>Yes</p> <p>Yes</p> <p>Yes</p> <p>Yes</p>
UL/CSA ratings	
manufacturer's article number	
<ul style="list-style-type: none"> • of the fuse <ul style="list-style-type: none"> — usable for Standard Faults up to 575/600 V according to UL 	Type: Class J / L, max. 1600 A; Iq = 30 kA

— usable for High Faults up to 575/600 V according to UL	Type: Class J / L, max. 1200 A; Iq = 100 kA
— usable for Standard Faults at inside-delta circuit up to 575/600 V according to UL	Type: Class J / L, max. 1600 A; Iq = 30 kA
— usable for High Faults at inside-delta circuit up to 575/600 V according to UL	Type: Class J / L, max. 1200 A; Iq = 100 kA
operating power [hp] for 3-phase motors	
• at 200/208 V at 50 °C rated value	150 hp
• at 220/230 V at 50 °C rated value	200 hp
• at 460/480 V at 50 °C rated value	400 hp
• at 200/208 V at inside-delta circuit at 50 °C rated value	300 hp
• at 220/230 V at inside-delta circuit at 50 °C rated value	350 hp
• at 460/480 V at inside-delta circuit at 50 °C rated value	750 hp
contact rating of auxiliary contacts according to UL	R300-B300

Safety related data	
protection class IP on the front acc. to IEC 60529	IP00; IP20 with cover
touch protection on the front acc. to IEC 60529	finger-safe, for vertical contact from the front with cover
electromagnetic compatibility	in accordance with IEC 60947-4-2

Certificates/ approvals	
General Product Approval	EMC



Declaration of Conformity	Test Certificates	Marine / Shipping
----------------------------------	--------------------------	--------------------------

[Miscellaneous](#)



[Type Test Certificates/Test Report](#)



Marine / Shipping	other
--------------------------	--------------



[Confirmation](#)

[Confirmation](#)

Further information

Information- and Downloadcenter (Catalogs, Brochures,...)

<https://www.siemens.com/ic10>

Industry Mall (Online ordering system)

<https://mall.industry.siemens.com/mall/en/en/Catalog/product?mlfb=3RW5248-6TC04>

Cax online generator

<http://support.automation.siemens.com/WW/CAXorder/default.aspx?lang=en&mlfb=3RW5248-6TC04>

Service&Support (Manuals, Certificates, Characteristics, FAQs,...)

<https://support.industry.siemens.com/cs/ww/en/ps/3RW5248-6TC04>

Image database (product images, 2D dimension drawings, 3D models, device circuit diagrams, EPLAN macros, ...)

http://www.automation.siemens.com/bilddb/cax_de.aspx?mlfb=3RW5248-6TC04&lang=en

Characteristic: Tripping characteristics, I²t, Let-through current

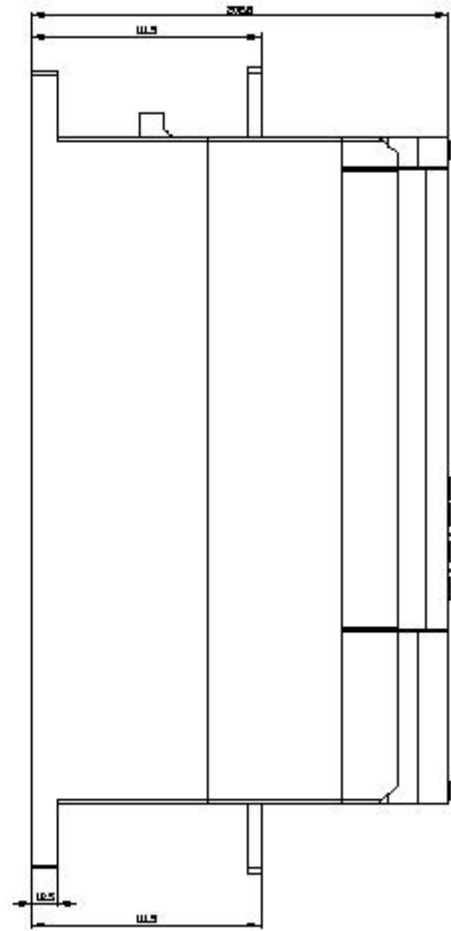
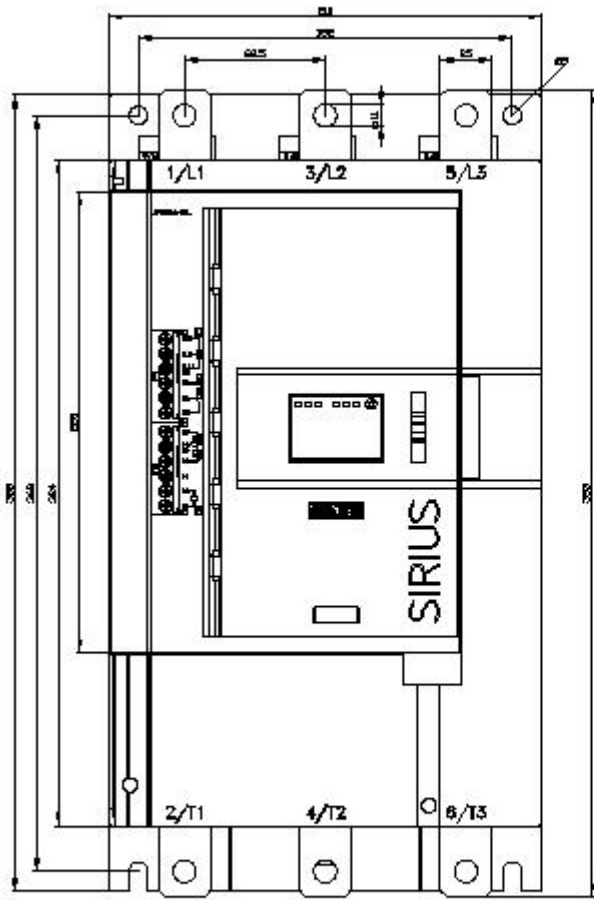
<https://support.industry.siemens.com/cs/ww/en/ps/3RW5248-6TC04/char>

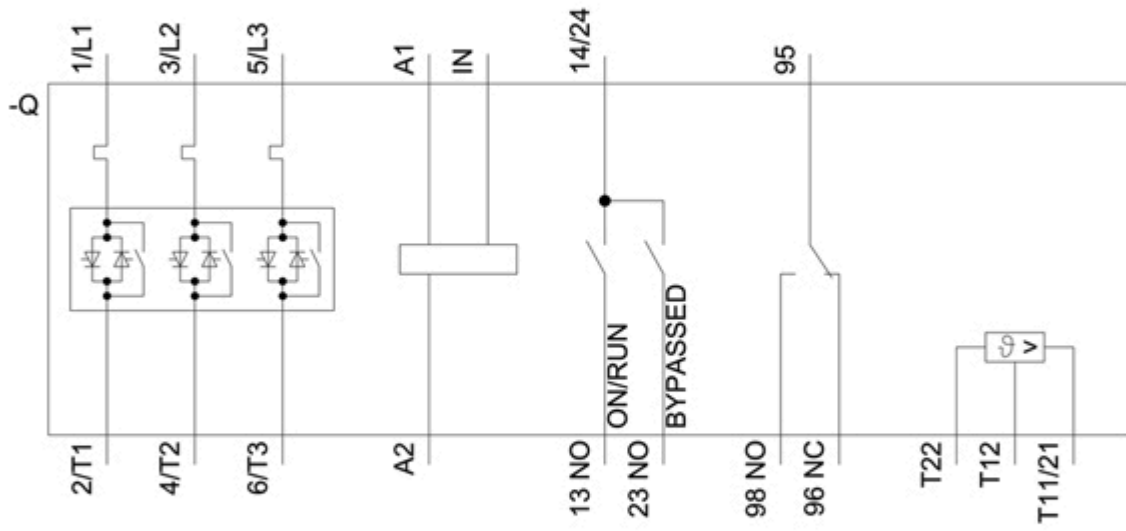
Characteristic: Installation altitude

<http://www.automation.siemens.com/bilddb/index.aspx?view=Search&mlfb=3RW5248-6TC04&objecttype=14&gridview=view1>

Simulation Tool for Soft Starters (STS)

<https://support.industry.siemens.com/cs/ww/en/view/101494917>





last modified:

12/15/2020 