



SIRIUS soft starter 200-480 V 113 A, 110-250 V AC Screw terminals
Analog output

product brand name	SIRIUS
product category	Hybrid switching devices
product designation	Soft starter
product type designation	3RW52
manufacturer's article number	
<ul style="list-style-type: none"> • of standard HMI module usable • of high feature HMI module usable • of communication module PROFINET standard usable • of communication module PROFIBUS usable • of communication module Modbus TCP usable • of communication module Modbus RTU usable • of communication module Ethernet/IP • of circuit breaker usable at 400 V • of circuit breaker usable at 400 V at inside-delta circuit • of the gG fuse usable up to 690 V • of the gG fuse usable at inside-delta circuit up to 500 V • of full range R fuse link for semiconductor protection usable up to 690 V • of back-up R fuse link for semiconductor protection usable up to 690 V 	<ul style="list-style-type: none"> 3RW5980-0HS00 3RW5980-0HF00 3RW5980-0CS00 3RW5980-0CP00 3RW5980-0CT00 3RW5980-0CR00 3RW5980-0CE00 3VA2216-7MN32-0AA0; Type of coordination 1, I_q = 65 kA, CLASS 10 3VA2220-7MN32-0AA0; Type of coordination 1, I_q = 65 kA, CLASS 10 3NA3244-6; Type of coordination 1, I_q = 65 kA 3NA3244-6; Type of coordination 1, I_q = 65 kA 3NE1225-0; Type of coordination 2, I_q = 65 kA 3NE3332-0B; Type of coordination 2, I_q = 65 kA
General technical data	
starting voltage [%]	30 ... 100 %
stopping voltage [%]	50 ... 50 %
start-up ramp time of soft starter	0 ... 20 s
current limiting value [%] adjustable	130 ... 700 %
certificate of suitability	
<ul style="list-style-type: none"> • CE marking • UL approval • CSA approval 	<ul style="list-style-type: none"> Yes Yes Yes
product component is supported	
<ul style="list-style-type: none"> • HMI-Standard • HMI-High Feature 	<ul style="list-style-type: none"> Yes Yes
product feature integrated bypass contact system	Yes
number of controlled phases	3
trip class	CLASS 10A (default) / 10E / 20E; acc. to IEC 60947-4-2
buffering time in the event of power failure	

<ul style="list-style-type: none"> • for main current circuit • for control circuit 	100 ms
insulation voltage rated value	600 V
degree of pollution	3, acc. to IEC 60947-4-2
impulse voltage rated value	6 kV
blocking voltage of the thyristor maximum	1 400 V
service factor	1
surge voltage resistance rated value	6 kV
maximum permissible voltage for safe isolation	
<ul style="list-style-type: none"> • between main and auxiliary circuit 	600 V
utilization category acc. to IEC 60947-4-2	AC 53a
shock resistance	15 g / 11 ms, from 12 g / 11 ms with potential contact lifting
vibration resistance	15 mm to 6 Hz; 2g to 500 Hz
reference code acc. to IEC 81346-2	Q
product function	
<ul style="list-style-type: none"> • ramp-up (soft starting) • ramp-down (soft stop) • Soft Torque • adjustable current limitation • pump ramp down • intrinsic device protection • motor overload protection • evaluation of thermistor motor protection • inside-delta circuit • auto-RESET • manual RESET • remote reset • communication function • operating measured value display • error logbook • via software parameterizable • via software configurable • PROFInergy • firmware update • removable terminal for control circuit • torque control • analog output 	<ul style="list-style-type: none"> Yes Yes Yes Yes Yes Yes Yes; Electronic motor overload protection No Yes Yes Yes Yes; By turning off the control supply voltage Yes Yes; Only in conjunction with special accessories Yes; Only in conjunction with special accessories No Yes Yes; in connection with the PROFINET Standard communication module Yes Yes No Yes; 4 ... 20 mA (default) / 0 ... 10 V (parameterizable with High Feature HMI)
Power Electronics	
operational current	
<ul style="list-style-type: none"> • at 40 °C rated value • at 50 °C rated value • at 60 °C rated value 	<ul style="list-style-type: none"> 113 A 101 A 89 A
operational current at inside-delta circuit	
<ul style="list-style-type: none"> • at 40 °C rated value • at 50 °C rated value • at 60 °C rated value 	<ul style="list-style-type: none"> 196 A 175 A 154 A
operating voltage	
<ul style="list-style-type: none"> • rated value • at inside-delta circuit rated value 	<ul style="list-style-type: none"> 200 ... 480 V 200 ... 480 V
relative negative tolerance of the operating voltage	-15 %
relative positive tolerance of the operating voltage	10 %
relative negative tolerance of the operating voltage at inside-delta circuit	-15 %
relative positive tolerance of the operating voltage at inside-delta circuit	10 %
operating power for 3-phase motors	
<ul style="list-style-type: none"> • at 230 V at 40 °C rated value 	30 kW

<ul style="list-style-type: none"> • at 230 V at inside-delta circuit at 40 °C rated value 	55 kW
<ul style="list-style-type: none"> • at 400 V at 40 °C rated value 	55 kW
<ul style="list-style-type: none"> • at 400 V at inside-delta circuit at 40 °C rated value 	110 kW
Operating frequency 1 rated value	50 Hz
Operating frequency 2 rated value	60 Hz
relative negative tolerance of the operating frequency	-10 %
relative positive tolerance of the operating frequency	10 %
adjustable motor current	
<ul style="list-style-type: none"> • at rotary coding switch on switch position 1 	53 A
<ul style="list-style-type: none"> • at rotary coding switch on switch position 2 	57 A
<ul style="list-style-type: none"> • at rotary coding switch on switch position 3 	61 A
<ul style="list-style-type: none"> • at rotary coding switch on switch position 4 	65 A
<ul style="list-style-type: none"> • at rotary coding switch on switch position 5 	69 A
<ul style="list-style-type: none"> • at rotary coding switch on switch position 6 	73 A
<ul style="list-style-type: none"> • at rotary coding switch on switch position 7 	77 A
<ul style="list-style-type: none"> • at rotary coding switch on switch position 8 	81 A
<ul style="list-style-type: none"> • at rotary coding switch on switch position 9 	85 A
<ul style="list-style-type: none"> • at rotary coding switch on switch position 10 	89 A
<ul style="list-style-type: none"> • at rotary coding switch on switch position 11 	93 A
<ul style="list-style-type: none"> • at rotary coding switch on switch position 12 	97 A
<ul style="list-style-type: none"> • at rotary coding switch on switch position 13 	101 A
<ul style="list-style-type: none"> • at rotary coding switch on switch position 14 	105 A
<ul style="list-style-type: none"> • at rotary coding switch on switch position 15 	109 A
<ul style="list-style-type: none"> • at rotary coding switch on switch position 16 	113 A
<ul style="list-style-type: none"> • minimum 	53 A
adjustable motor current	
<ul style="list-style-type: none"> • for inside-delta circuit at rotary coding switch on switch position 1 	91.8 A
<ul style="list-style-type: none"> • for inside-delta circuit at rotary coding switch on switch position 2 	98.7 A
<ul style="list-style-type: none"> • for inside-delta circuit at rotary coding switch on switch position 3 	106 A
<ul style="list-style-type: none"> • for inside-delta circuit at rotary coding switch on switch position 4 	113 A
<ul style="list-style-type: none"> • for inside-delta circuit at rotary coding switch on switch position 5 	120 A
<ul style="list-style-type: none"> • for inside-delta circuit at rotary coding switch on switch position 6 	126 A
<ul style="list-style-type: none"> • for inside-delta circuit at rotary coding switch on switch position 7 	133 A
<ul style="list-style-type: none"> • for inside-delta circuit at rotary coding switch on switch position 8 	140 A
<ul style="list-style-type: none"> • for inside-delta circuit at rotary coding switch on switch position 9 	147 A
<ul style="list-style-type: none"> • for inside-delta circuit at rotary coding switch on switch position 10 	154 A
<ul style="list-style-type: none"> • for inside-delta circuit at rotary coding switch on switch position 11 	161 A
<ul style="list-style-type: none"> • for inside-delta circuit at rotary coding switch on switch position 12 	168 A
<ul style="list-style-type: none"> • for inside-delta circuit at rotary coding switch on switch position 13 	175 A
<ul style="list-style-type: none"> • for inside-delta circuit at rotary coding switch on switch position 14 	182 A
<ul style="list-style-type: none"> • for inside-delta circuit at rotary coding switch on switch position 15 	189 A
<ul style="list-style-type: none"> • for inside-delta circuit at rotary coding switch on switch position 16 	196 A
<ul style="list-style-type: none"> • at inside-delta circuit minimum 	91.8 A
minimum load [%]	15 %; Relative to smallest settable le
power loss [W] for rated value of the current at AC	
<ul style="list-style-type: none"> • at 40 °C after startup 	46 W

<ul style="list-style-type: none"> • at 50 °C after startup • at 60 °C after startup 	42 W 39 W
power loss [W] at AC at current limitation 350 %	
<ul style="list-style-type: none"> • at 40 °C during startup • at 50 °C during startup • at 60 °C during startup 	1 512 W 1 291 W 1 086 W
Control circuit/ Control	
type of voltage of the control supply voltage	AC
<ul style="list-style-type: none"> • control supply voltage at AC at 50 Hz • control supply voltage at AC at 60 Hz 	110 ... 250 V 110 ... 250 V
relative negative tolerance of the control supply voltage at AC at 50 Hz	-15 %
relative positive tolerance of the control supply voltage at AC at 50 Hz	10 %
relative negative tolerance of the control supply voltage at AC at 60 Hz	-15 %
relative positive tolerance of the control supply voltage at AC at 60 Hz	10 %
control supply voltage frequency	50 ... 60 Hz
relative negative tolerance of the control supply voltage frequency	-10 %
relative positive tolerance of the control supply voltage frequency	10 %
control supply current in standby mode rated value	30 mA
holding current in bypass operation rated value	75 mA
locked-rotor current at close of bypass contact maximum	2.5 A
inrush current peak at application of control supply voltage maximum	12.2 A
duration of inrush current peak at application of control supply voltage	2.2 ms
design of the overvoltage protection	Varistor
design of short-circuit protection for control circuit	4 A gG fuse (I _{cu} =1 kA), 6 A quick-acting fuse (I _{cu} =1 kA), C1 miniature circuit breaker (I _{cu} = 600 A), C6 miniature circuit breaker (I _{cu} = 300 A); Is not part of scope of supply
Inputs/ Outputs	
number of digital inputs	1
number of inputs for thermistor connection	0
number of digital outputs	3
<ul style="list-style-type: none"> • not parameterizable 	2
digital output version	2 normally-open contacts (NO) / 1 changeover contact (CO)
number of analog outputs	1
switching capacity current of the relay outputs	
<ul style="list-style-type: none"> • at AC-15 at 250 V rated value • at DC-13 at 24 V rated value 	3 A 1 A
Installation/ mounting/ dimensions	
mounting position	with vertical mounting surface +/-90° rotatable, with vertical mounting surface +/- 22.5° tiltable to the front and back
fastening method	screw fixing
height	306 mm
width	185 mm
depth	203 mm
required spacing with side-by-side mounting	
<ul style="list-style-type: none"> • forwards • backwards • upwards • downwards • at the side 	10 mm 0 mm 100 mm 75 mm 5 mm
weight without packaging	6.6 kg
Connections/ Terminals	

type of electrical connection	busbar connection screw-type terminals
<ul style="list-style-type: none"> for main current circuit for control circuit 	
width of connection bar maximum	25 mm
type of connectable conductor cross-sections	
<ul style="list-style-type: none"> for DIN cable lug for main contacts stranded for DIN cable lug for main contacts finely stranded 	2x (16 ... 95 mm ²) 2x (25 ... 120 mm ²)
type of connectable conductor cross-sections	
<ul style="list-style-type: none"> for control circuit solid for control circuit finely stranded with core end processing at AWG cables for control circuit solid 	1x (0.5 ... 4.0 mm ²), 2x (0.5 ... 2.5 mm ²) 1x (0.5 ... 2.5 mm ²), 2x (0.5 ... 1.5 mm ²) 1x (20 ... 12), 2x (20 ... 14)
wire length	
<ul style="list-style-type: none"> between soft starter and motor maximum at the digital inputs at AC maximum 	800 m 100 m
tightening torque	
<ul style="list-style-type: none"> for main contacts with screw-type terminals for auxiliary and control contacts with screw-type terminals 	10 ... 14 N·m 0.8 ... 1.2 N·m
tightening torque [lbf·in]	
<ul style="list-style-type: none"> for main contacts with screw-type terminals for auxiliary and control contacts with screw-type terminals 	89 ... 124 lbf·in 7 ... 10.3 lbf·in
Ambient conditions	
installation altitude at height above sea level maximum	5 000 m; Derating as of 1000 m, see catalog
<ul style="list-style-type: none"> ambient temperature during operation ambient temperature during storage and transport 	-25 ... +60 °C; Please observe derating at temperatures of 40 °C or above -40 ... +80 °C
environmental category	
<ul style="list-style-type: none"> during operation acc. to IEC 60721 during storage acc. to IEC 60721 during transport acc. to IEC 60721 	3K6 (no ice formation, only occasional condensation), 3C3 (no salt mist), 3S2 (sand must not get into the devices), 3M6 1K6 (only occasional condensation), 1C2 (no salt mist), 1S2 (sand must not get inside the devices), 1M4 2K2, 2C1, 2S1, 2M2 (max. fall height 0.3 m)
EMC emitted interference	acc. to IEC 60947-4-2: Class A
Communication/ Protocol	
communication module is supported	
<ul style="list-style-type: none"> PROFINET standard EtherNet/IP Modbus RTU Modbus TCP PROFIBUS 	Yes Yes Yes Yes Yes
UL/CSA ratings	
manufacturer's article number	
<ul style="list-style-type: none"> of circuit breaker <ul style="list-style-type: none"> usable for Standard Faults at 460/480 V according to UL usable for High Faults at 460/480 V according to UL usable for Standard Faults at 460/480 V at inside-delta circuit according to UL usable for High Faults at 460/480 V at inside-delta circuit according to UL usable for Standard Faults at 575/600 V according to UL usable for Standard Faults at 575/600 V at inside-delta circuit according to UL of the fuse <ul style="list-style-type: none"> usable for Standard Faults up to 575/600 V according to UL usable for High Faults up to 575/600 V 	Siemens type: 3VA52, max. 250 A; I _q = 10 kA Siemens type: 3VA52, max. 250 A; I _q max = 65 kA Siemens type: 3VA52, max. 250 A; I _q = 10 kA Siemens type: 3VA52, max. 250 A; I _q max = 65 kA Siemens type: 3VA52, max. 250 A; I _q = 10 kA Siemens type: 3VA52, max. 250 A; I _q = 10 kA Type: Class RK5 / K5, max. 350 A; I _q = 10 kA Type: Class J / L, max. 350 A; I _q = 100 kA

according to UL

— usable for Standard Faults at inside-delta circuit up to 575/600 V according to UL

— usable for High Faults at inside-delta circuit up to 575/600 V according to UL

Type: Class RK5 / K5, max. 350 A; I_q = 10 kA

Type: Class J / L, max. 350 A; I_q = 100 kA

operating power [hp] for 3-phase motors

- at 200/208 V at 50 °C rated value
- at 220/230 V at 50 °C rated value
- at 460/480 V at 50 °C rated value
- at 200/208 V at inside-delta circuit at 50 °C rated value
- at 220/230 V at inside-delta circuit at 50 °C rated value
- at 460/480 V at inside-delta circuit at 50 °C rated value

30 hp

30 hp

75 hp

50 hp

60 hp

125 hp

contact rating of auxiliary contacts according to UL

R300-B300

Safety related data

protection class IP on the front acc. to IEC 60529

IP00; IP20 with cover

touch protection on the front acc. to IEC 60529

finger-safe, for vertical contact from the front with cover

electromagnetic compatibility

in accordance with IEC 60947-4-2

Certificates/ approvals

General Product Approval

EMC



Declaration of Conformity

Test Certificates

Marine / Shipping

[Miscellaneous](#)



EG-Konf.

[Type Test Certificates/Test Report](#)



ABS



LRS



PRS

Marine / Shipping

other



[Confirmation](#)

[Confirmation](#)

Further information

Information- and Downloadcenter (Catalogs, Brochures,...)

<https://www.siemens.com/ic10>

Industry Mall (Online ordering system)

<https://mall.industry.siemens.com/mall/en/en/Catalog/product?mlfb=3RW5234-6AC14>

Cax online generator

<http://support.automation.siemens.com/WW/CAXorder/default.aspx?lang=en&mlfb=3RW5234-6AC14>

Service&Support (Manuals, Certificates, Characteristics, FAQs,...)

<https://support.industry.siemens.com/cs/ww/en/ps/3RW5234-6AC14>

Image database (product images, 2D dimension drawings, 3D models, device circuit diagrams, EPLAN macros, ...)

http://www.automation.siemens.com/bilddb/cax_de.aspx?mlfb=3RW5234-6AC14&lang=en

Characteristic: Tripping characteristics, I²t, Let-through current

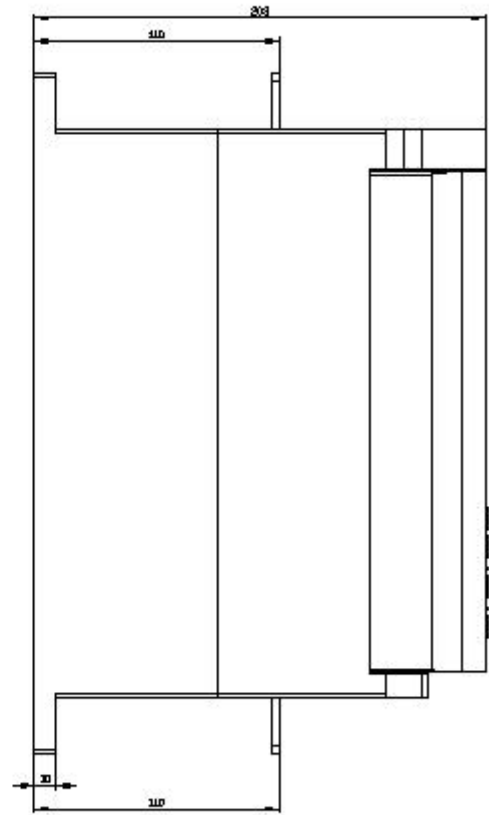
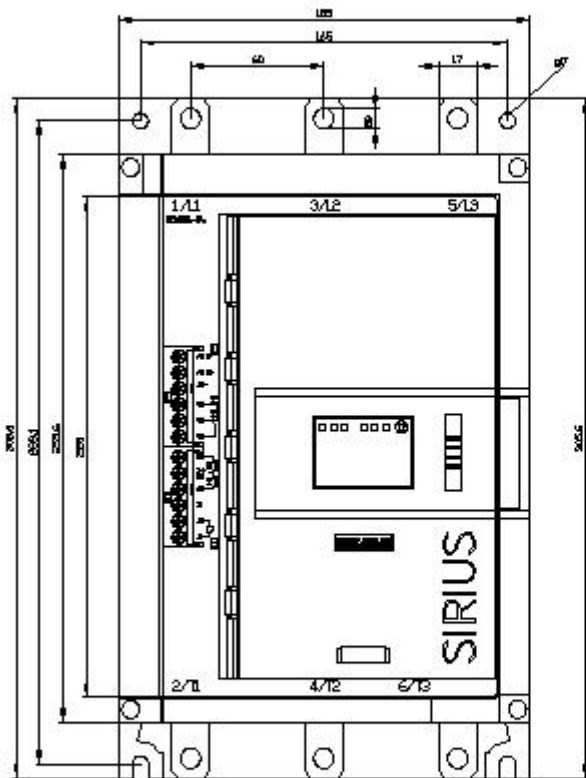
<https://support.industry.siemens.com/cs/ww/en/ps/3RW5234-6AC14/char>

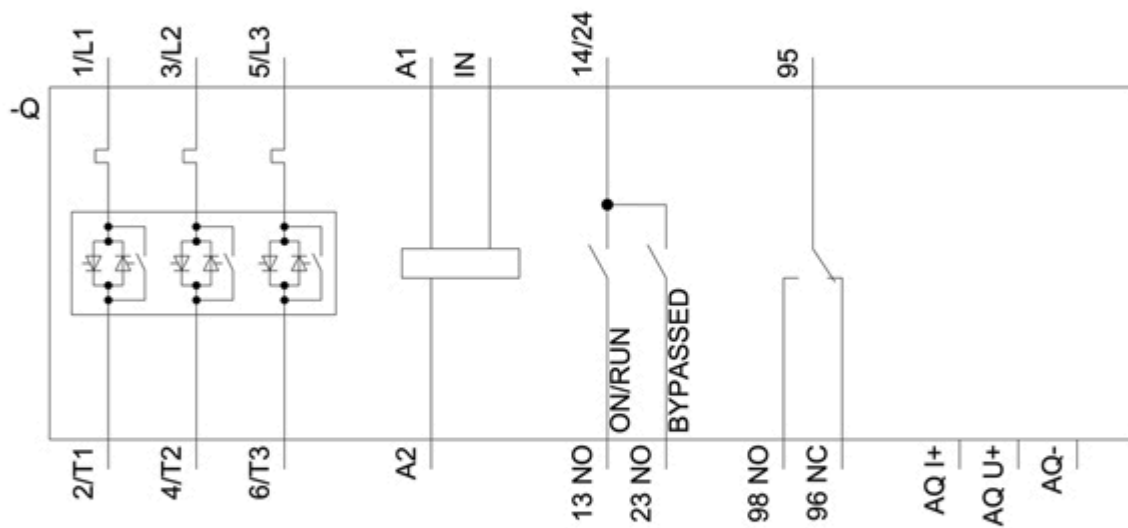
Characteristic: Installation altitude

<http://www.automation.siemens.com/bilddb/index.aspx?view=Search&mlfb=3RW5234-6AC14&objecttype=14&gridview=view1>

Simulation Tool for Soft Starters (STS)

<https://support.industry.siemens.com/cs/ww/en/view/101494917>





last modified:

12/15/2020 