



Fuseless motor starter Reversing operation 600VAC Size S00 5.5-8Amp  
24V DC screw connection For screw mounting Or 35 mm rail-mounting  
Type of coordination 1 1NO+1NC (MSP) 1NC (per contactor)

|  |  |
|--|--|
| <b>product brand name</b>  | SIRIUS   |
| <b>product designation</b>   | non-fused motor starter 3RA2                       |
| <b>design of the product</b>   | reversing starter                                  |
| <b>manufacturer's article number</b>   |  |
| <ul style="list-style-type: none"> <li>• of the supplied contactor</li> <li>• of the supplied circuit-breakers</li> <li>• of the supplied link module</li> </ul>                       | 3RT2016-1BB42<br>3RV2011-1HA15<br>3RA1921-1DA00    |
| <b>General technical data</b>  |  |
| <b>size of the circuit-breaker</b>   | S00  |
| <b>size of load feeder</b>   | S00  |
| product extension auxiliary switch   | Yes  |
| insulation voltage with degree of pollution 3 at AC rated value  | 690 V  |
| <b>degree of pollution</b>   | 3  |
| <b>surge voltage resistance rated value</b>  | 6 kV   |
| shock resistance acc. to IEC 60068-2-27  | 6g / 11 ms   |
| mechanical service life (switching cycles) of contactor typical  | 30 000 000   |
| <b>type of assignment</b>  | 1  |
| <b>Ambient conditions</b>  |  |
| <ul style="list-style-type: none"> <li>• ambient temperature during operation</li> <li>• ambient temperature during storage</li> <li>• ambient temperature during transport</li> </ul> | -20 ... +60 °C<br>-50 ... +80 °C<br>-55 ... +80 °C |
| <b>Main circuit</b>  |  |
| <b>number of poles for main current circuit</b>  | 3  |
| <b>design of the switching contact</b>   | electromechanical                                  |
| <b>adjustable current response value current of the current-dependent overload release</b>   | 5.5 ... 8 A  |
| <ul style="list-style-type: none"> <li>• operating voltage rated value</li> <li>• operating voltage at AC-3 rated value maximum</li> </ul>   | 690 V<br>690 V                                     |
| <b>operating frequency rated value</b>   | 50 ... 60 Hz                                       |
| operational current at AC-3 at 400 V rated value   | 6.5 A  |
| operating power at AC-3  |  |
| <ul style="list-style-type: none"> <li>• at 400 V rated value</li> <li>• at 500 V rated value</li> <li>• at 690 V rated value</li> </ul>   | 3 000 W<br>4 000 W<br>5 500 W                      |
| <b>Control circuit/ Control</b>  |  |
| <b>control supply voltage at DC</b>  |  |

|  |   |
|--|---|
| • rated value  | 24 V  |
| <b>holding power of magnet coil at DC</b>  | 4 W   |
| <b>Auxiliary circuit</b>   |   |
| <b>number of NC contacts for auxiliary contacts</b>  | 2   |
| <b>number of NO contacts for auxiliary contacts</b>  | 1   |
| <b>Protective and monitoring functions</b>   |   |
| <b>trip class</b>  | CLASS 10  |
| <b>design of the overload release</b>  | thermal (bimetallic)  |
| response value current of instantaneous short-circuit trip unit                                  | 104 A   |
| <b>UL/CSA ratings</b>  |   |
| <b>full-load current (FLA) for 3-phase AC motor</b>  |   |
| • at 480 V rated value   | 7.6 A   |
| • at 600 V rated value   | 6.33 A  |
| <b>yielded mechanical performance [hp]</b>   |   |
| • for single-phase AC motor  |   |
| — at 110/120 V rated value   | 0.33 hp   |
| — at 230 V rated value   | 1 hp  |
| • for 3-phase AC motor   |   |
| — at 200/208 V rated value   | 2 hp  |
| — at 220/230 V rated value   | 2 hp  |
| — at 460/480 V rated value   | 5 hp  |
| — at 575/600 V rated value   | 5 hp  |
| <b>Short-circuit protection</b>  |   |
| <b>product function short circuit protection</b>   | Yes   |
| <b>design of the short-circuit trip</b>  | magnetic  |
| <b>conditional short-circuit current (I<sub>q</sub>)</b>   |   |
| • at 400 V acc. to IEC 60947-4-1 rated value   | 153 000 A   |
| <b>Installation/ mounting/ dimensions</b>  |   |
| <b>mounting position</b>   | vertical  |
| <b>fastening method</b>  | Snap-mounted to DIN rail or screw-mounted with additional push-in lug |
| <b>height</b>  | 170 mm  |
| <b>width</b>   | 90 mm   |
| <b>depth</b>   | 97.1 mm   |
| <b>required spacing</b>  |   |
| • for grounded parts   |   |
| — forwards   | 0 mm  |
| — backwards  | 0 mm  |
| — upwards  | 20 mm   |
| — at the side  | 9 mm  |
| — downwards  | 10 mm   |
| • for live parts   |   |
| — forwards   | 0 mm  |
| — backwards  | 0 mm  |
| — upwards  | 20 mm   |
| — downwards  | 10 mm   |
| — at the side  | 9 mm  |
| <b>Connections/ Terminals</b>  |   |
| <b>type of electrical connection for main current circuit</b>                                    | screw-type terminals  |
| <b>type of connectable conductor cross-sections</b>  |   |
| • for main contacts stranded   | 0.5 ... 4 mm <sup>2</sup> , 2x (0.75 ... 2.5 mm <sup>2</sup> )        |
| • at AWG cables for main contacts  | 2x (20 ... 16), only for contactor 2x (18 ... 14), 2x 12              |
| • connectable conductor cross-section for main contacts finely stranded with core end processing | 0.5 ... 2.5 mm <sup>2</sup>   |
| <b>Safety related data</b>   |   |
| B10 value with high demand rate acc. to SN 31920   | 1 000 000   |
| proportion of dangerous failures with high demand rate acc. to SN 31920                          | 73 %  |

|  |  |
|--|--|
| protection class IP on the front acc. to IEC 60529 | IP20   |
| touch protection on the front acc. to IEC 60529    | finger-safe, for vertical contact from the front |

| Certificates/ approvals  |                                |                           |
|--------------------------|--------------------------------|---------------------------|
| General Product Approval | For use in hazardous locations | Declaration of Conformity |



[Miscellaneous](#)

| Test Certificates | Marine / Shipping |
|-------------------|-------------------|
|-------------------|-------------------|

[Type Test Certificates/Test Report](#)

[Special Test Certificate](#)



| Marine / Shipping | other | Railway |
|-------------------|-------|---------|
|-------------------|-------|---------|



[Confirmation](#)

[Vibration and Shock](#)

### Further information

Information- and Downloadcenter (Catalogs, Brochures,...)

<https://www.siemens.com/ic10>

Industry Mall (Online ordering system)

<https://mall.industry.siemens.com/mall/en/en/Catalog/product?mlfb=3RA2215-1HA16-2BB4>

Cax online generator

<http://support.automation.siemens.com/WW/CAXorder/default.aspx?lang=en&mlfb=3RA2215-1HA16-2BB4>

Service&Support (Manuals, Certificates, Characteristics, FAQs,...)

<https://support.industry.siemens.com/cs/ww/en/ps/3RA2215-1HA16-2BB4>

Image database (product images, 2D dimension drawings, 3D models, device circuit diagrams, EPLAN macros, ...)

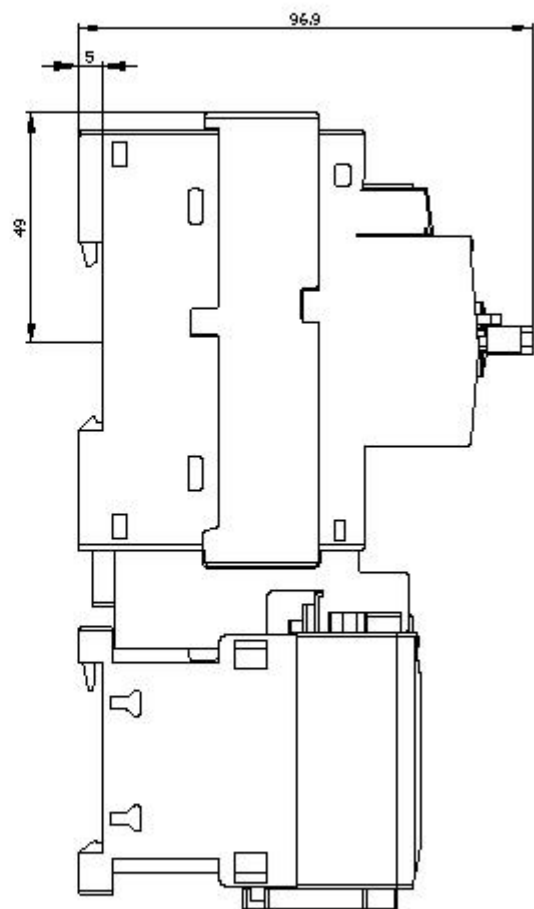
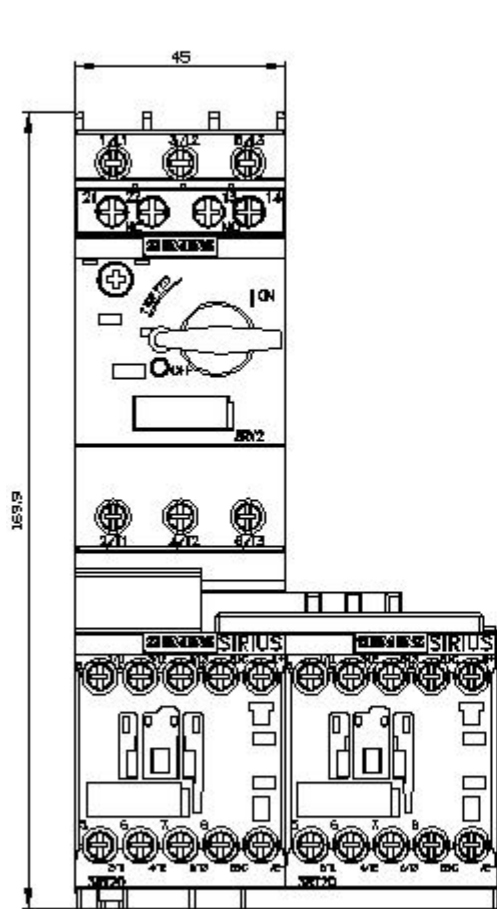
[http://www.automation.siemens.com/bilddb/cax\\_de.aspx?mlfb=3RA2215-1HA16-2BB4&lang=en](http://www.automation.siemens.com/bilddb/cax_de.aspx?mlfb=3RA2215-1HA16-2BB4&lang=en)

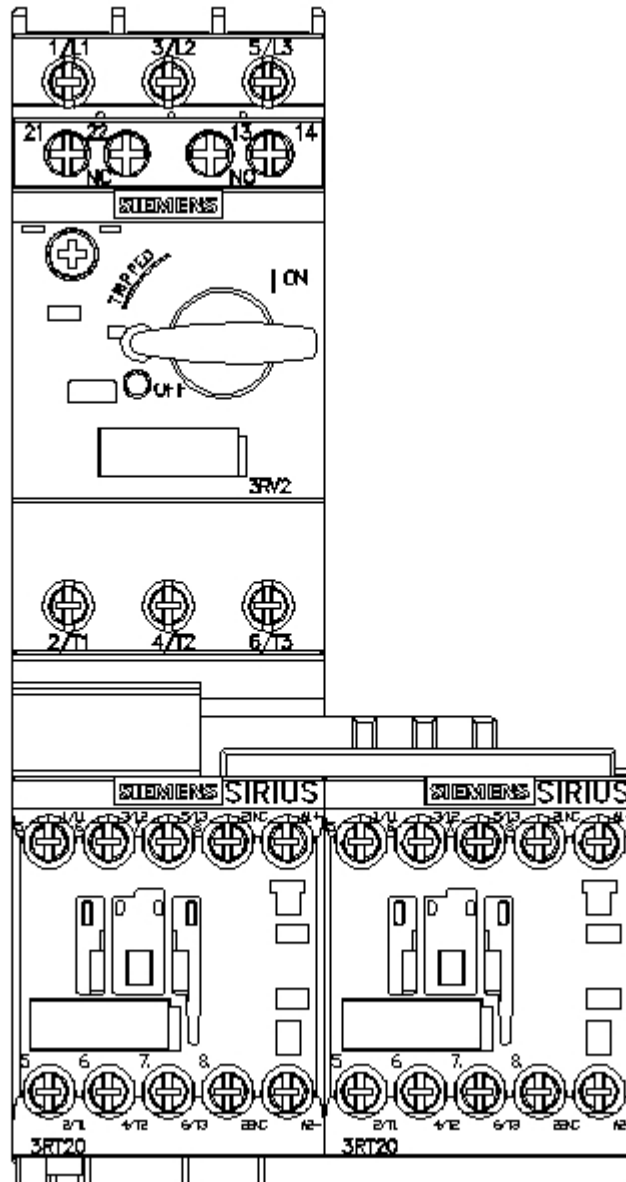
Characteristic: Tripping characteristics, I<sup>2</sup>t, Let-through current

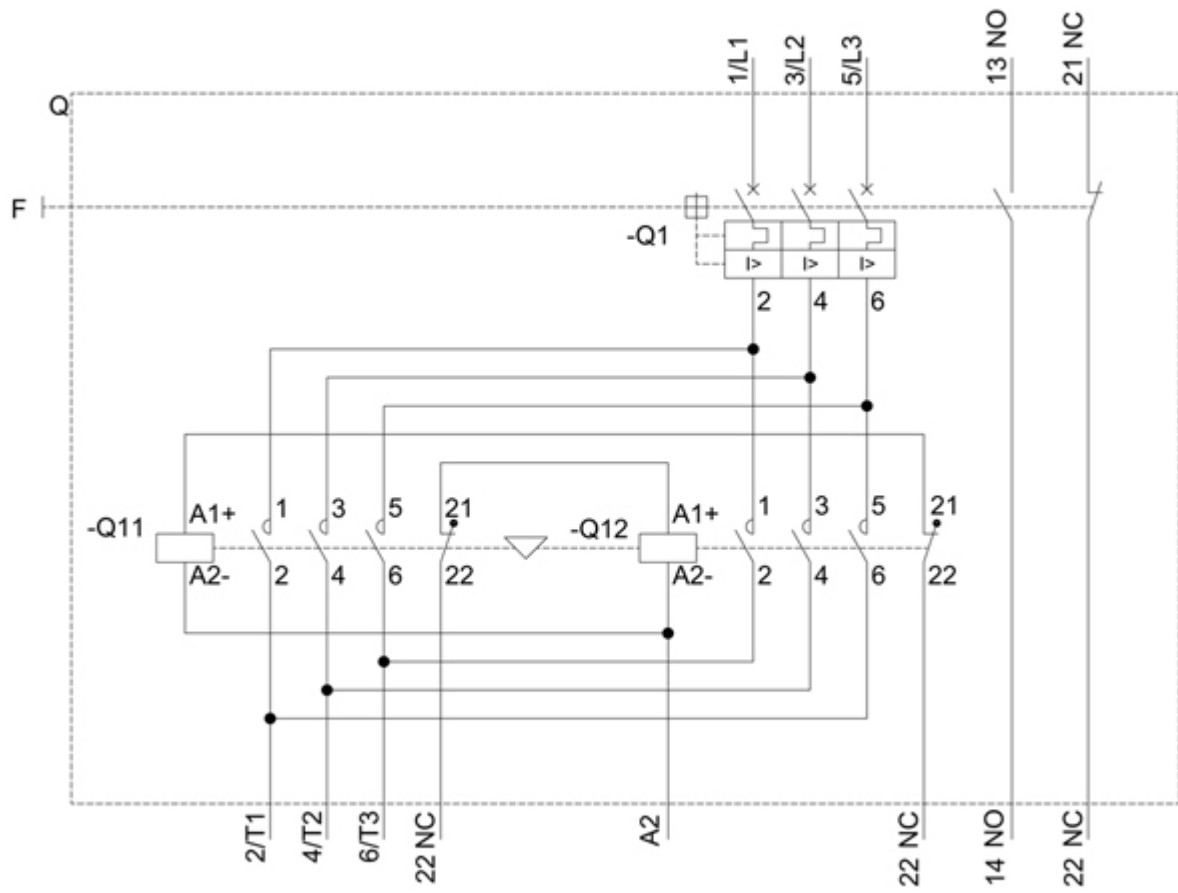
<https://support.industry.siemens.com/cs/ww/en/ps/3RA2215-1HA16-2BB4/char>

Further characteristics (e.g. electrical endurance, switching frequency)

<http://www.automation.siemens.com/bilddb/index.aspx?view=Search&mlfb=3RA2215-1HA16-2BB4&objecttype=14&gridview=view1>







last modified:

12/15/2020 