



Fuseless motor starter Direct start 600VAC Size S0 0.45-0.63A  
110/120VAC 50/60HZ screw connection For screw mounting Or 35 mm  
rail-mounting Type of coordination 2 IQ = 150 KA Also full fills type Of  
coordination 1 1NO+1NC (contactor)

<b>product brand name</b>	SIRIUS
<b>product designation</b>	non-fused motor starter 3RA2
<b>design of the product</b>	direct starter
<b>manufacturer's article number</b>	
<ul style="list-style-type: none"> <li>• of the supplied contactor</li> </ul>	3RT2023-1AK60
<ul style="list-style-type: none"> <li>• of the supplied circuit-breakers</li> </ul>	3RV2011-0GA10
<ul style="list-style-type: none"> <li>• of the supplied link module</li> </ul>	3RA2921-1AA00
<b>General technical data</b>	
<b>size of the circuit-breaker</b>	S00
<b>size of load feeder</b>	S0
product extension auxiliary switch	Yes
insulation voltage with degree of pollution 3 at AC rated value	690 V
<b>degree of pollution</b>	3
<b>surge voltage resistance rated value</b>	6 kV
shock resistance acc. to IEC 60068-2-27	6g / 11 ms
mechanical service life (switching cycles) of contactor typical	10 000 000
<b>type of assignment</b>	2
<b>Ambient conditions</b>	
<ul style="list-style-type: none"> <li>• ambient temperature during operation</li> </ul>	-20 ... +60 °C
<ul style="list-style-type: none"> <li>• ambient temperature during storage</li> </ul>	-50 ... +80 °C
<ul style="list-style-type: none"> <li>• ambient temperature during transport</li> </ul>	-55 ... +80 °C
<b>Main circuit</b>	
<b>number of poles for main current circuit</b>	3
<b>design of the switching contact</b>	electromechanical
<b>adjustable current response value current of the current-dependent overload release</b>	0.45 ... 0.63 A
<ul style="list-style-type: none"> <li>• operating voltage rated value</li> </ul>	690 V
<ul style="list-style-type: none"> <li>• operating voltage at AC-3 rated value maximum</li> </ul>	690 V
<b>operating frequency rated value</b>	50 ... 60 Hz
operational current at AC-3 at 400 V rated value	0.6 A
operating power at AC-3	
<ul style="list-style-type: none"> <li>• at 400 V rated value</li> </ul>	180 W
<ul style="list-style-type: none"> <li>• at 500 V rated value</li> </ul>	180 W
<ul style="list-style-type: none"> <li>• at 690 V rated value</li> </ul>	250 W
<b>Control circuit/ Control</b>	
<b>control supply voltage at AC</b>	

<ul style="list-style-type: none"> <li>• at 50 Hz rated value</li> <li>• at 50 Hz rated value</li> <li>• at 60 Hz rated value</li> <li>• at 60 Hz rated value</li> </ul>	110 V		
	88 ... 121 V		
	120 V		
	96 ... 132 V		
<b>apparent holding power of magnet coil at AC</b>	7.2 V·A		
<b>inductive power factor with the holding power of the coil</b>	0.28		
<b>Auxiliary circuit</b>			
<b>number of NC contacts for auxiliary contacts</b>	1		
<b>number of NO contacts for auxiliary contacts</b>	1		
<b>Protective and monitoring functions</b>			
<b>trip class</b>	CLASS 10		
<b>design of the overload release</b>	thermal (bimetallic)		
response value current of instantaneous short-circuit trip unit	8.19 A		
<b>Short-circuit protection</b>			
<b>product function short circuit protection</b>	Yes		
<b>design of the short-circuit trip</b>	magnetic		
<b>conditional short-circuit current (I<sub>q</sub>)</b>			
<ul style="list-style-type: none"> <li>• at 400 V acc. to IEC 60947-4-1 rated value</li> </ul>	153 000 A		
<b>Installation/ mounting/ dimensions</b>			
<b>mounting position</b>	vertical		
<b>fastening method</b>	Snap-mounted to DIN rail or screw-mounted with additional push-in lug		
<b>height</b>	193.1 mm		
<b>width</b>	45 mm		
<b>depth</b>	97.1 mm		
<b>required spacing</b>			
<ul style="list-style-type: none"> <li>• for grounded parts <ul style="list-style-type: none"> <li>— forwards</li> <li>— backwards</li> <li>— upwards</li> <li>— at the side</li> <li>— downwards</li> </ul> </li> <li>• for live parts <ul style="list-style-type: none"> <li>— forwards</li> <li>— backwards</li> <li>— upwards</li> <li>— downwards</li> <li>— at the side</li> </ul> </li> </ul>	10 mm 0 mm 30 mm 9 mm 10 mm  10 mm 0 mm 30 mm 10 mm 9 mm		
<b>Connections/ Terminals</b>			
type of electrical connection for main current circuit	screw-type terminals		
<b>type of connectable conductor cross-sections</b>			
<ul style="list-style-type: none"> <li>• for main contacts stranded</li> <li>• at AWG cables for main contacts</li> </ul>	1 ... 10 mm <sup>2</sup> , 2x (2.5 ... 6 mm <sup>2</sup> ) 2x (16 ... 12), 2x (14 ... 8)		
<ul style="list-style-type: none"> <li>• connectable conductor cross-section for main contacts finely stranded with core end processing</li> </ul>	1 ... 6 mm <sup>2</sup>		
<b>Safety related data</b>			
B10 value with high demand rate acc. to SN 31920	1 000 000		
proportion of dangerous failures with high demand rate acc. to SN 31920	73 %		
<b>protection class IP on the front acc. to IEC 60529</b>	IP20		
<b>touch protection on the front acc. to IEC 60529</b>	finger-safe, for vertical contact from the front		
<b>Certificates/ approvals</b>			
<b>General Product Approval</b>	<b>For use in hazardous locations</b>	<b>Declaration of Conformity</b>	<b>other</b>



[Confirmation](#)

#### Further information

Information- and Downloadcenter (Catalogs, Brochures,...)

<https://www.siemens.com/ic10>

Industry Mall (Online ordering system)

<https://mall.industry.siemens.com/mall/en/en/Catalog/product?mlfb=3RA2120-0GA23-0AK6>

Cax online generator

<http://support.automation.siemens.com/WW/CAXorder/default.aspx?lang=en&mlfb=3RA2120-0GA23-0AK6>

Service&Support (Manuals, Certificates, Characteristics, FAQs,...)

<https://support.industry.siemens.com/cs/ww/en/ps/3RA2120-0GA23-0AK6>

Image database (product images, 2D dimension drawings, 3D models, device circuit diagrams, EPLAN macros, ...)

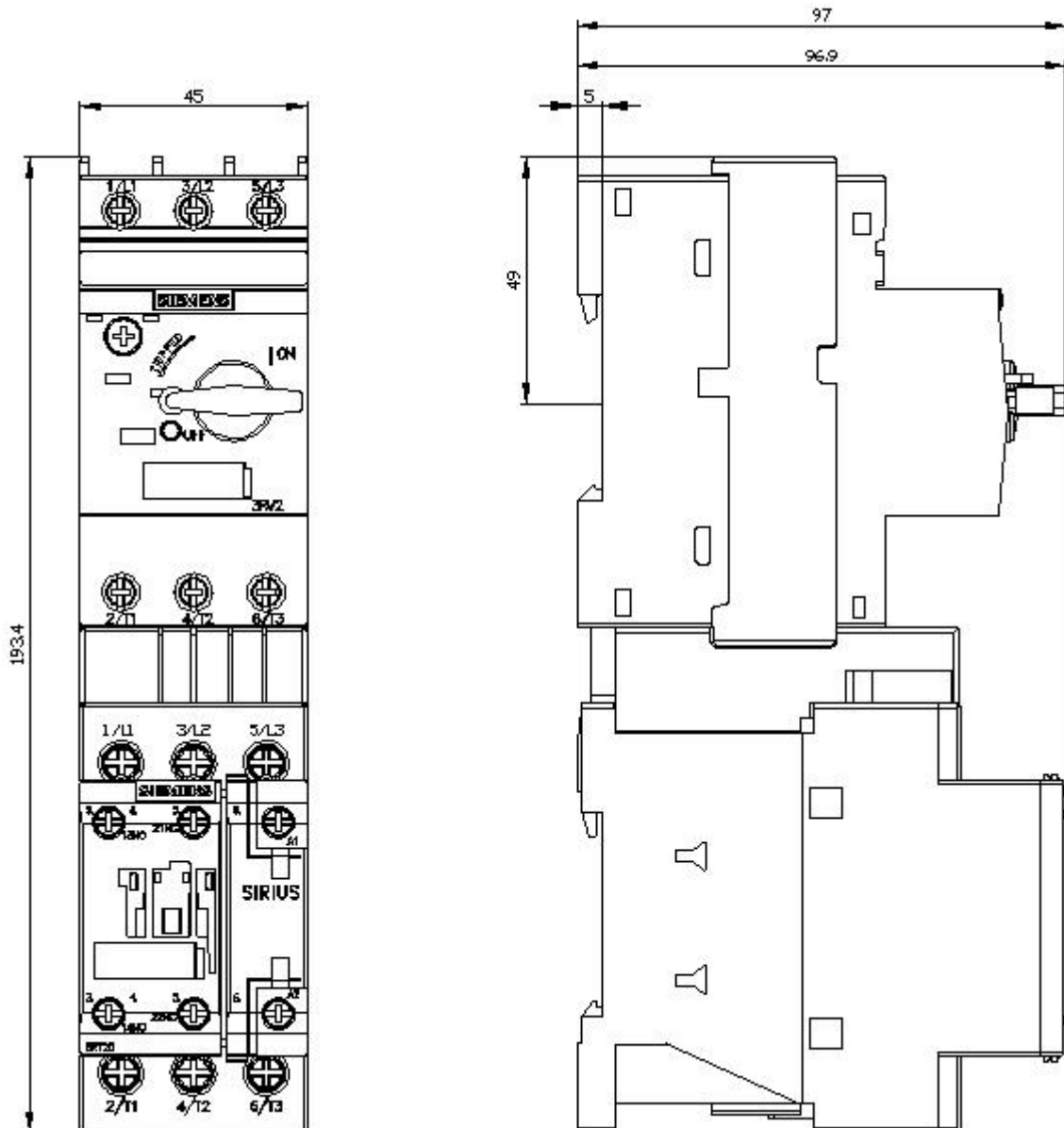
[http://www.automation.siemens.com/bilddb/cax\\_de.aspx?mlfb=3RA2120-0GA23-0AK6&lang=en](http://www.automation.siemens.com/bilddb/cax_de.aspx?mlfb=3RA2120-0GA23-0AK6&lang=en)

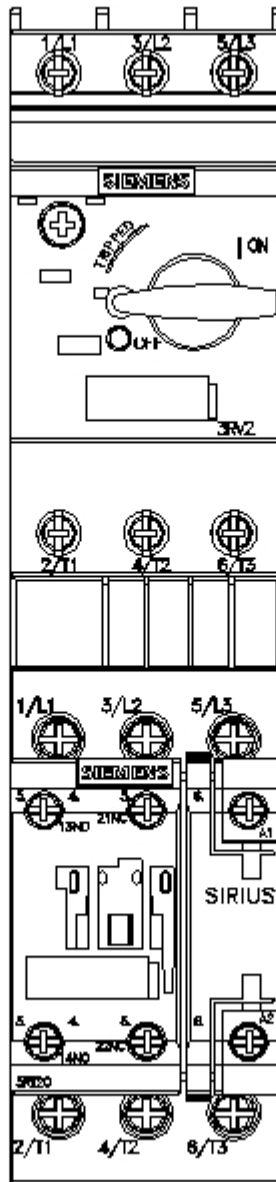
Characteristic: Tripping characteristics, I<sup>2</sup>t, Let-through current

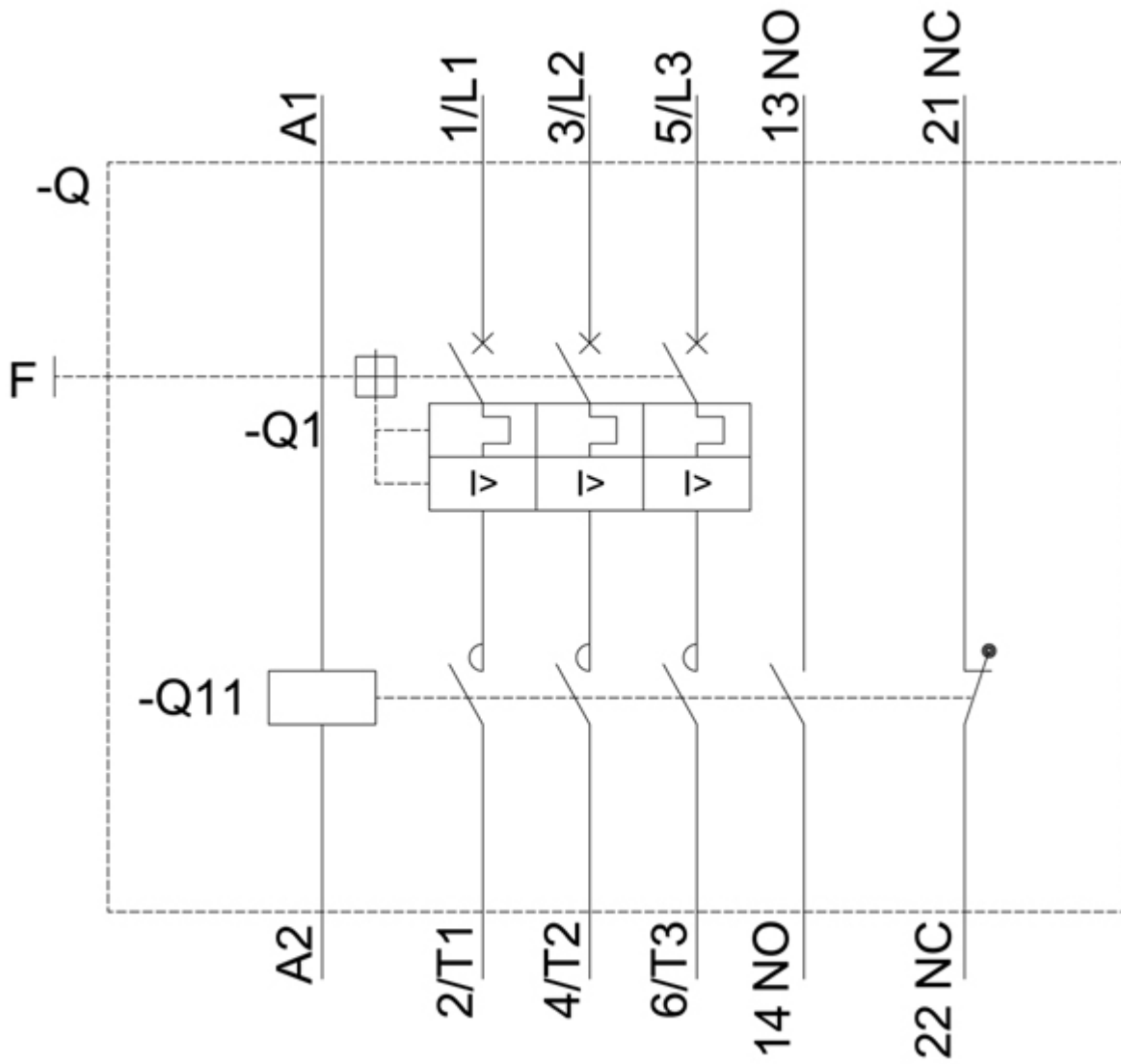
<https://support.industry.siemens.com/cs/ww/en/ps/3RA2120-0GA23-0AK6/char>

Further characteristics (e.g. electrical endurance, switching frequency)

<http://www.automation.siemens.com/bilddb/index.aspx?view=Search&mlfb=3RA2120-0GA23-0AK6&objecttype=14&gridview=view1>







last modified:

12/15/2020 