



FUSELESS LOAD FEEDER DIRECT START, AC 400V, SZ. S00 0.7...1A, AC 110/120V 50/60HZ SCREW TERMINAL FOR BUSBAR SYSTEMS 60MM TYPE OF ASSIGNMENT 2,IQ = 150KA (ALSO FULFILLS TYPE OF ASSIGNMENT 1) 1NO (CONTACTOR)

| | |
|--|--|
| product brand name | SIRIUS |
| product designation | non-fused load feeders 3RA2 |
| design of the product | direct starter |
| manufacturer's article number | |
| <ul style="list-style-type: none"> • of the supplied contactor • of the supplied circuit-breakers • of the supplied busbar adapter • of the supplied link module | 3RT2015-1AK61 3RV2011-0JA10 8US1251-5DS10 3RA1921-1DA00 |
| General technical data | |
| size of the circuit-breaker | S00 |
| size of load feeder | S00 |
| product extension auxiliary switch | Yes |
| insulation voltage with degree of pollution 3 at AC rated value | 690 V |
| degree of pollution | 3 |
| surge voltage resistance rated value | 6 kV |
| shock resistance acc. to IEC 60068-2-27 | 6g / 11 ms |
| mechanical service life (switching cycles) of contactor typical | 30 000 000 |
| type of assignment | 2 |
| Substance Prohibitance (Date) | 01.10.2009 00:00:00 |
| Ambient conditions | |
| <ul style="list-style-type: none"> • ambient temperature during operation • ambient temperature during storage • ambient temperature during transport | -20 ... +60 °C -50 ... +80 °C -50 ... +80 °C |
| Main circuit | |
| number of poles for main current circuit | 3 |
| design of the switching contact | electromechanical |
| adjustable current response value current of the current-dependent overload release | 0.7 ... 1 A |
| <ul style="list-style-type: none"> • operating voltage rated value • operating voltage at AC-3 rated value maximum | 690 V 690 V |
| operating frequency rated value | 50 ... 60 Hz |
| operational current at AC-3 at 400 V rated value | 0.85 A |
| operating power at AC-3 | |
| <ul style="list-style-type: none"> • at 400 V rated value • at 500 V rated value • at 690 V rated value | 250 W 370 W 550 W |

| Control circuit/ Control | | |
|--|--|----------------------------------|
| control supply voltage at AC | | |
| <ul style="list-style-type: none"> at 50 Hz rated value at 60 Hz rated value | 110 V 120 V | |
| apparent holding power of magnet coil at AC | 4.2 V·A | |
| Protective and monitoring functions | | |
| trip class | CLASS 10 | |
| design of the overload release | thermal (bimetallic) | |
| response value current of instantaneous short-circuit trip unit | 13 A | |
| UL/CSA ratings | | |
| yielded mechanical performance [hp] | | |
| <ul style="list-style-type: none"> for 3-phase AC motor <ul style="list-style-type: none"> at 575/600 V rated value | 0.5 hp | |
| Short-circuit protection | | |
| product function short circuit protection | Yes | |
| design of the short-circuit trip | magnetic | |
| conditional short-circuit current (I_q) | | |
| <ul style="list-style-type: none"> at 690 V acc. to IEC 60947-4-1 rated value at 400 V acc. to IEC 60947-4-1 rated value at 500 V acc. to IEC 60947-4-1 rated value | 100 000 A 153 000 A 100 000 A | |
| Installation/ mounting/ dimensions | | |
| mounting position | vertical | |
| fastening method | for snapping onto 60 mm busbar systems | |
| height | 200 mm | |
| width | 45 mm | |
| depth | 155.1 mm | |
| required spacing | | |
| <ul style="list-style-type: none"> for grounded parts <ul style="list-style-type: none"> forwards backwards upwards at the side downwards for live parts <ul style="list-style-type: none"> forwards backwards upwards downwards at the side | 0 mm 0 mm 20 mm 9 mm 10 mm 0 mm 0 mm 20 mm 10 mm 9 mm | |
| Connections/ Terminals | | |
| type of electrical connection for main current circuit | screw-type terminals | |
| type of connectable conductor cross-sections | | |
| <ul style="list-style-type: none"> for main contacts stranded at AWG cables for main contacts | 0.5 ... 4 mm ² , 2x (0.75 ... 2.5 mm ²) 2x (20 ... 16), only for contactor 2x (18 ... 14), 2x 12 | |
| <ul style="list-style-type: none"> connectable conductor cross-section for main contacts finely stranded with core end processing | 0.5 ... 2.5 mm ² | |
| Safety related data | | |
| B10 value with high demand rate acc. to SN 31920 | 1 000 000 | |
| proportion of dangerous failures with high demand rate acc. to SN 31920 | 73 % | |
| protection class IP on the front acc. to IEC 60529 | IP20 | |
| touch protection on the front acc. to IEC 60529 | finger-safe, for vertical contact from the front | |
| Certificates/ approvals | | |
| General Product Approval | For use in hazardous locations | Declaration of Conformity |



[Miscellaneous](#)

Test Certificates

Marine / Shipping

[Type Test Certificates/Test Report](#)

[Special Test Certificate](#)



Marine / Shipping

other

Railway



[Confirmation](#)

[Vibration and Shock](#)

Further information

Information- and Downloadcenter (Catalogs, Brochures,...)

<https://www.siemens.com/ic10>

Industry Mall (Online ordering system)

<https://mall.industry.siemens.com/mall/en/en/Catalog/product?mlfb=3RA2110-0JD15-1AK6>

Cax online generator

<http://support.automation.siemens.com/WW/CAXorder/default.aspx?lang=en&mlfb=3RA2110-0JD15-1AK6>

Service&Support (Manuals, Certificates, Characteristics, FAQs,...)

<https://support.industry.siemens.com/cs/ww/en/ps/3RA2110-0JD15-1AK6>

Image database (product images, 2D dimension drawings, 3D models, device circuit diagrams, EPLAN macros, ...)

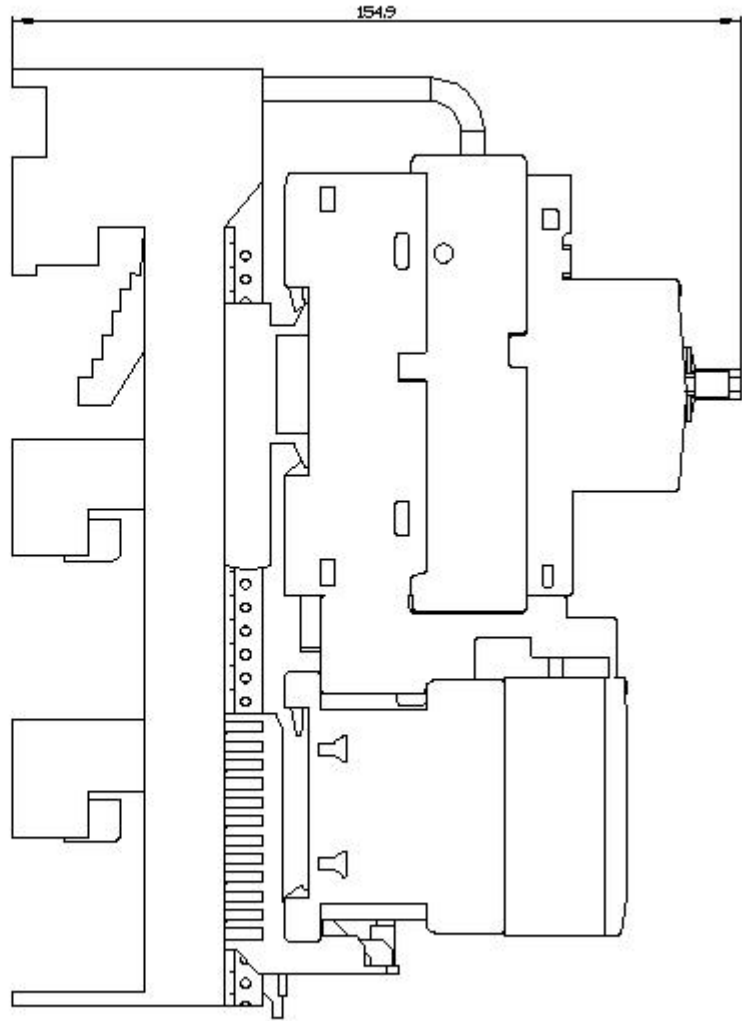
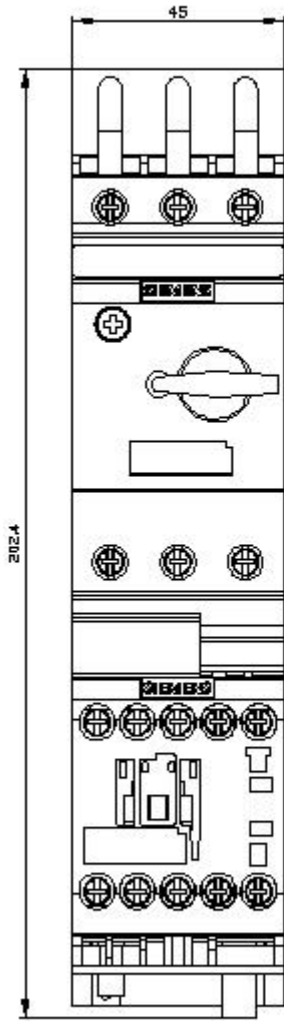
http://www.automation.siemens.com/bilddb/cax_de.aspx?mlfb=3RA2110-0JD15-1AK6&lang=en

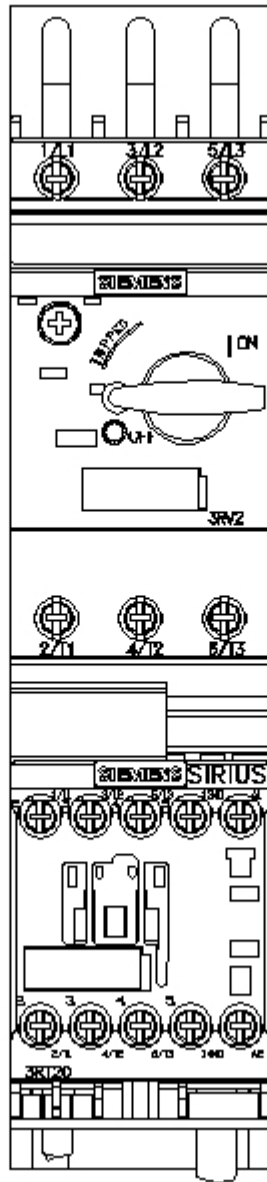
Characteristic: Tripping characteristics, I^t, Let-through current

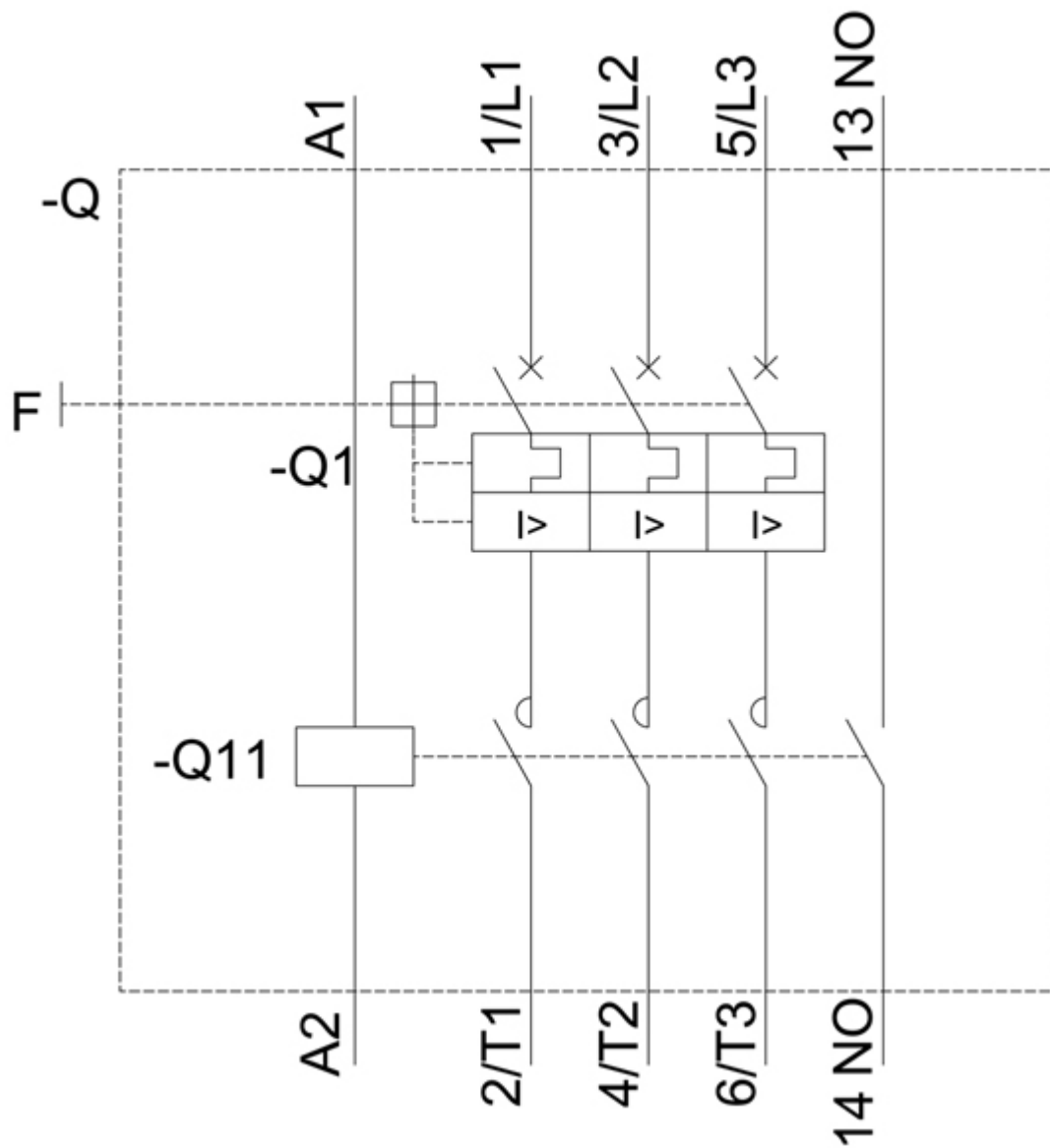
<https://support.industry.siemens.com/cs/ww/en/ps/3RA2110-0JD15-1AK6/char>

Further characteristics (e.g. electrical endurance, switching frequency)

<http://www.automation.siemens.com/bilddb/index.aspx?view=Search&mlfb=3RA2110-0JD15-1AK6&objecttype=14&gridview=view1>







last modified:

12/15/2020 