

# Customer Information Sheet

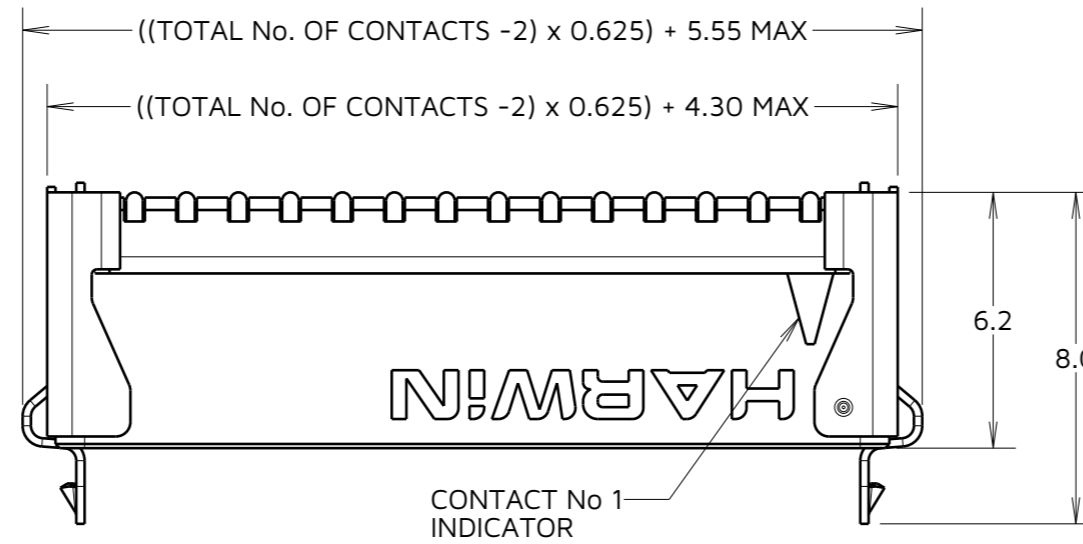
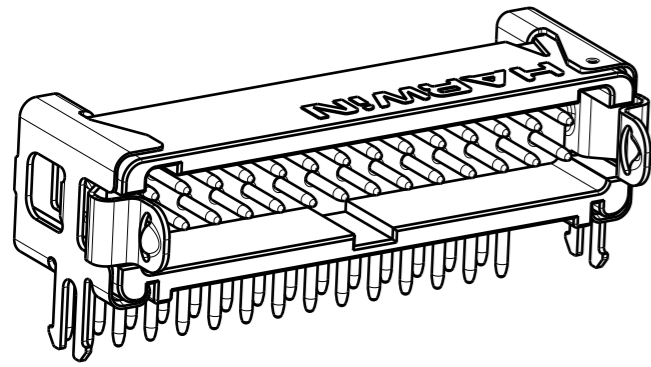
IF IN DOUBT - ASK

©

NOT TO SCALE

THIRD ANGLE PROJECTION

ALL DIMENSIONS IN mm



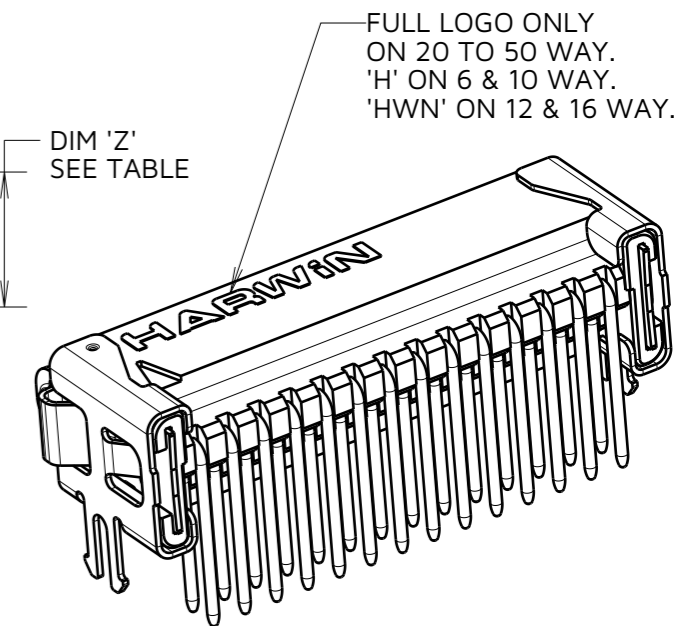
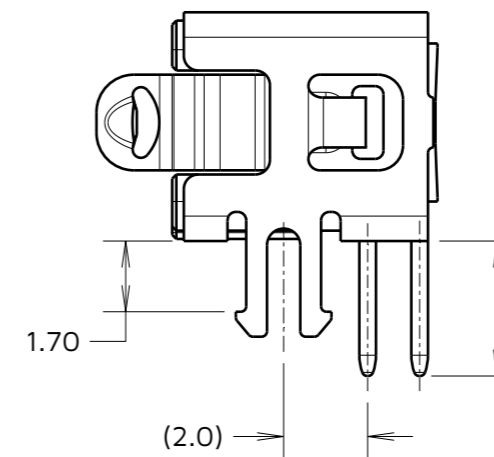
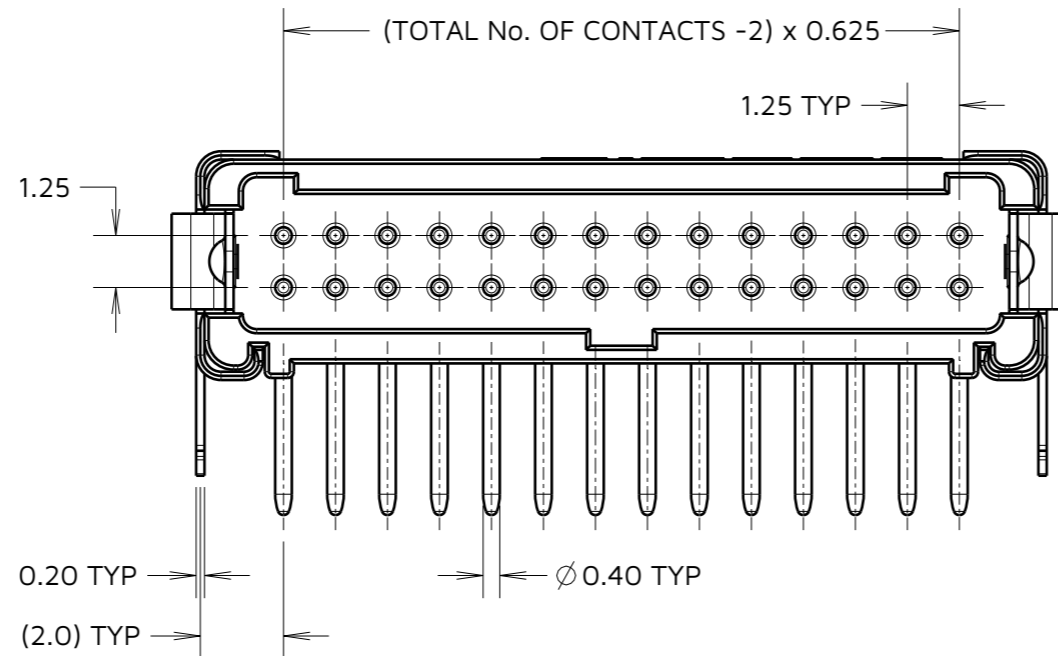
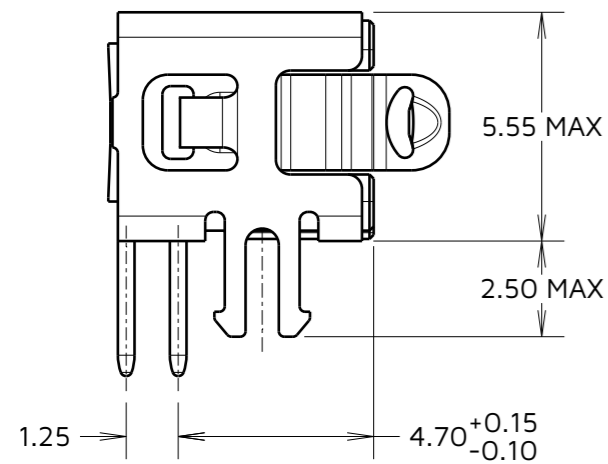
ORDER CODE: **G125-MHXXX05L1R**

CONTACT STYLE: \_\_\_\_\_  
 3.2mm PC-TAIL = H1  
 4.7mm PC-TAIL = H2

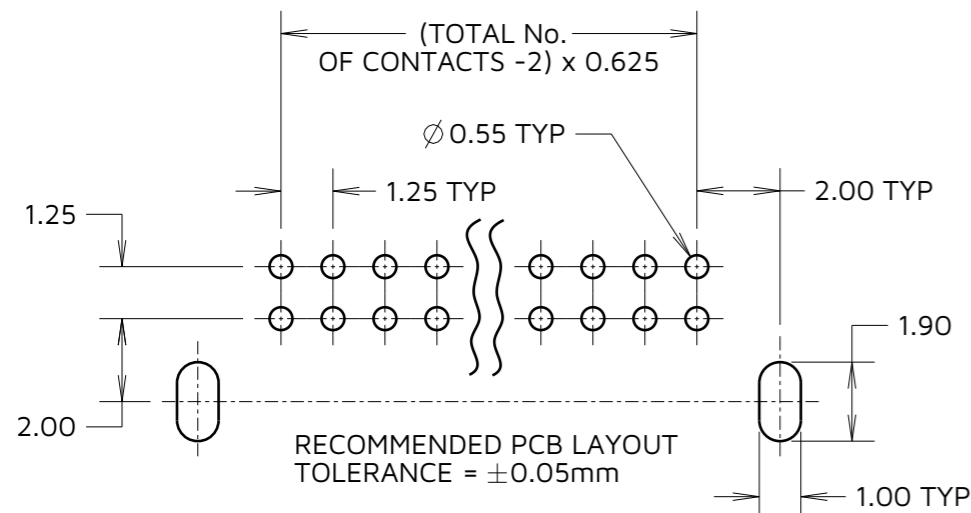
TOTAL No. OF CONTACTS: \_\_\_\_\_  
 06, 10, 12, 16, 20, 26, 34, 50

LATCHES: \_\_\_\_\_  
 1.7mm BOARD MOUNT & LATCHES = L1

CONTACT STYLE	DIM 'Z'
H1	3.2±0.15
H2	4.7±0.15



CONNECTOR DETAILS AND PCB LAYOUT ONLY.  
 SEE SHEET 6 FOR TAPE AND REEL DETAILS.



NOTES:  
 1. FOR COMPLETE SPECIFICATION, SEE COMPONENT SPECIFICATION C125XX (LATEST ISSUE).

MGP	6	19.07.23	32768
NAME	ISS.	DATE	CN/CO
APPROVED: MGP			
CHECKED: RTP			
DRAWN: MARK G PLESTED			
ASSEMBLY DRG:			

**HARWIN**

www.harwin.com

TOLERANCES  
 X. = ±1mm  
 X.X = ±0.50mm  
 X.XX = ±0.20mm  
 X.XXX = ±0.01mm  
 ANGLES = ±5°  
 UNLESS STATED

THIS DRAWING AND ANY INFORMATION OR DESCRIPTIVE MATTER SET OUT HEREON ARE CONFIDENTIAL AND COPYRIGHT PROPERTY OF THE HARWIN GROUP AND MUST NOT BE DISCLOSED, LOANED, COPIED OR USED FOR MANUFACTURING, TENDERING OR FOR ANY OTHER PURPOSE WITHOUT THEIR WRITTEN PERMISSION.

MATERIAL:  
 SEE NOTE 1

TITLE:  
**G125 MALE HORIZONTAL PC TAIL SERIES IN TAPE & REEL**

DRAWING NUMBER:  
**G125-MHXXX05L1R**

# Customer Information Sheet

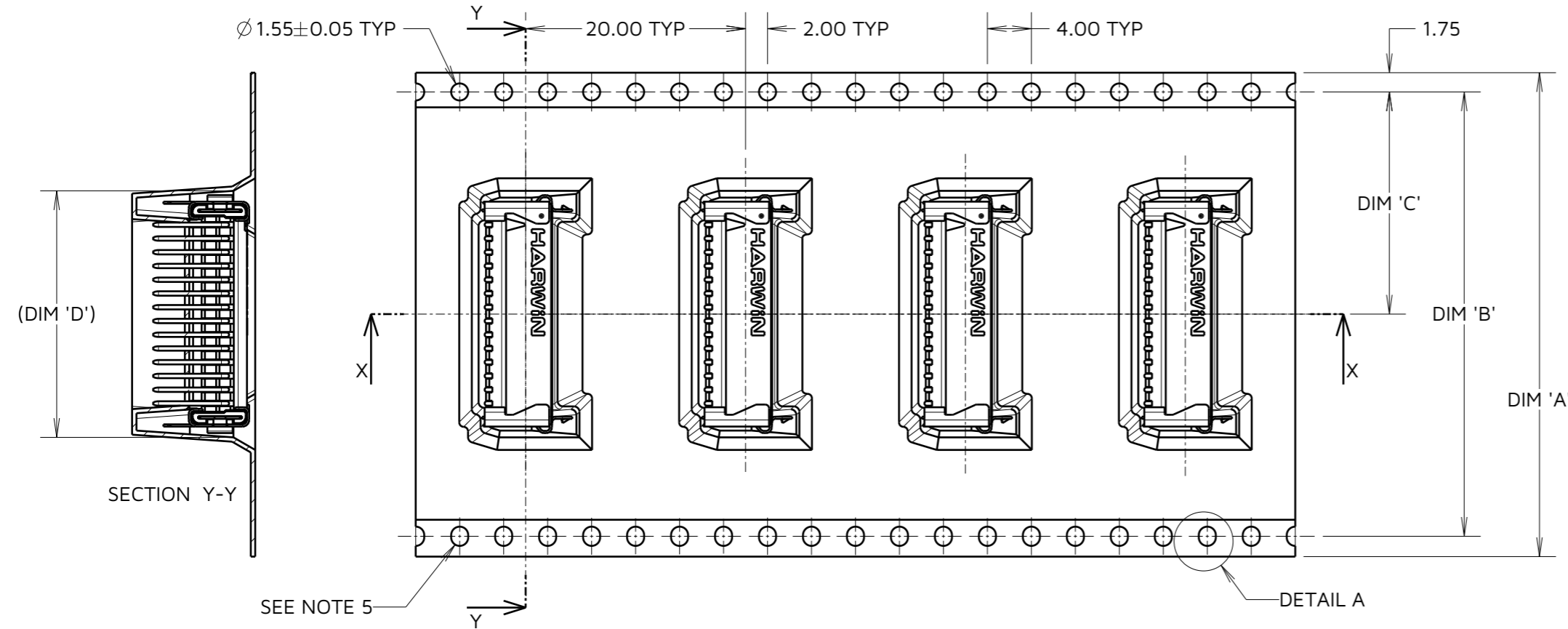
IF IN DOUBT - ASK

©

NOT TO SCALE

THIRD ANGLE PROJECTION

ALL DIMENSIONS IN mm

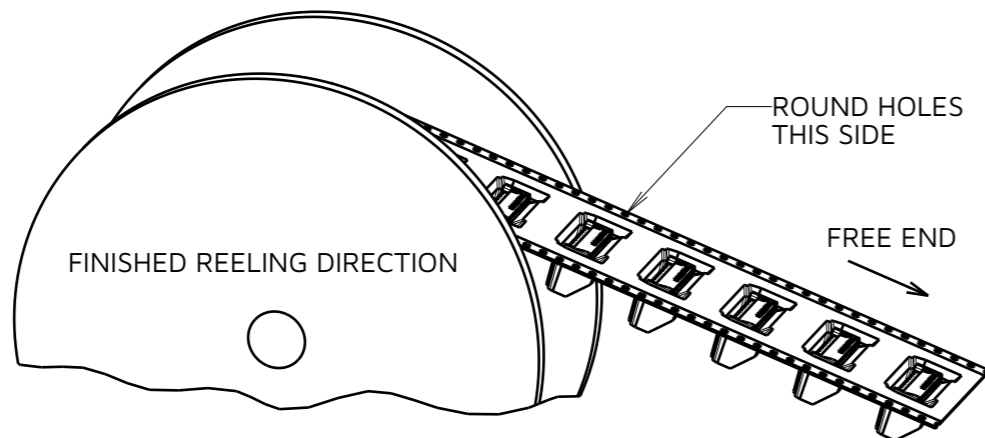
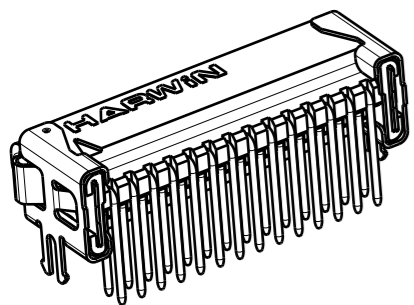
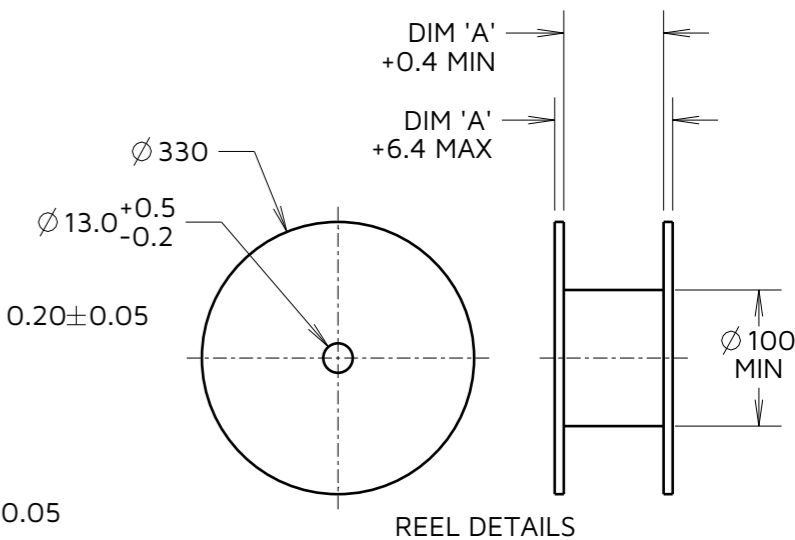
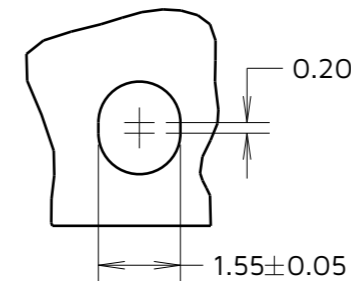
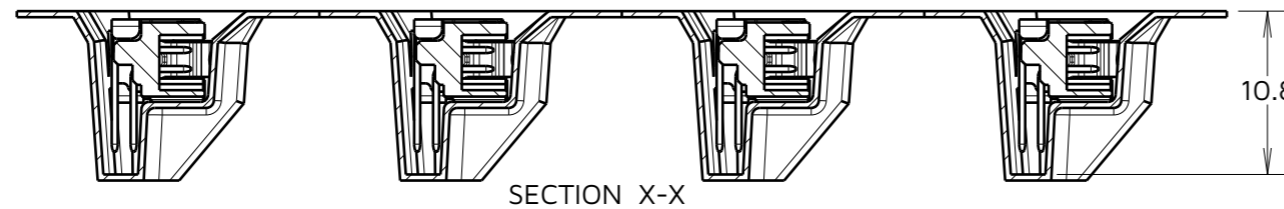
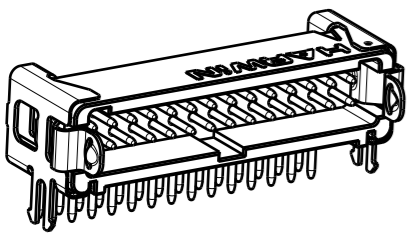


ORDER CODE: **G125-MHXXX05L1R**

CONTACT STYLE: \_\_\_\_\_  
 3.2mm PC-TAIL = H1  
 4.7mm PC-TAIL = H2

TOTAL No. OF CONTACTS: \_\_\_\_\_  
 06, 10, 12, 16, 20, 26, 34, 50

LATCHES: \_\_\_\_\_  
 1.7mm BOARD MOUNT & LATCHES = L1



PART No.	DIM 'A'	DIM 'B'	DIM 'C'	DIM 'D'
G125-MHX0605L1R	24.0	NO ELONGATED HOLE	11.50	8.5
G125-MHX1005L1R	+0.3/-0.1			11.0
G125-MHX1205L1R				12.2
G125-MHX1605L1R	32.0±0.3	28.40	14.20	14.7
G125-MHX2005L1R				17.2
G125-MHX2605L1R	44.0±0.3	40.40	20.2±0.15	21.0
G125-MHX3405L1R				26.0
G125-MHX5005L1R	56.0±0.3	52.40	26.2±0.15	36.0

MGP	6	19.07.23	32768
NAME	ISS.	DATE	CN/CO
APPROVED: MGP			
CHECKED: RTP			
DRAWN: MARK G PLESTED			
ASSEMBLY DRG:			

- NOTES:
- QUANTITY OF COMPONENTS PER REEL = 250.
  - FOR OTHER QUANTITIES SEE G125-MHXXX05L1P.
  - THIS PRODUCT IS TAPED AND REELED IN GENERAL ACCORDANCE WITH EIA-481-2-A (ELECTRONIC INDUSTRIES ASSOCIATION).
  - FOR COMPLETE SPECIFICATION, SEE COMPONENT SPECIFICATION C125XX (LATEST ISSUE).
  - ELONGATED SPROCKET HOLE NOT PRESENT ON 06 & 10 POSITIONS.
  - SEE SHEET 5 FOR CONNECTOR DETAILS.

**HARWIN**

www.harwin.com

TOLERANCES  
 X. = ±1mm  
 X.X = ±0.50mm  
 X.XX = ±0.20mm  
 X.XXX = ±0.01mm  
 ANGLES = ±5°  
 UNLESS STATED

THIS DRAWING AND ANY INFORMATION OR DESCRIPTIVE MATTER SET OUT HEREON ARE CONFIDENTIAL AND COPYRIGHT PROPERTY OF THE HARWIN GROUP AND MUST NOT BE DISCLOSED, LOANED, COPIED OR USED FOR MANUFACTURING, TENDERING OR FOR ANY OTHER PURPOSE WITHOUT THEIR WRITTEN PERMISSION.

MATERIAL:  
 SEE SHEET 5

TITLE:  
**G125 MALE HORIZONTAL PC TAIL SERIES IN TAPE & REEL**

DRAWING NUMBER:  
**G125-MHXXX05L1R**