

Customer Information Sheet

DRAWING No.: G125-MH1XX05M3R

IF IN DOUBT - ASK

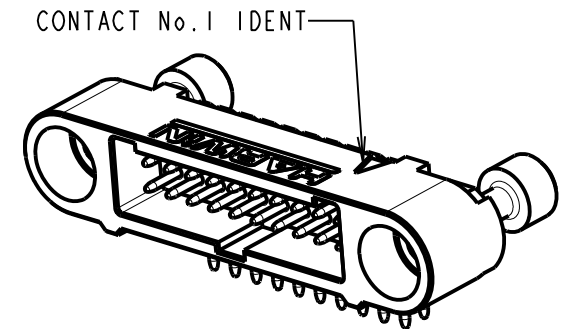
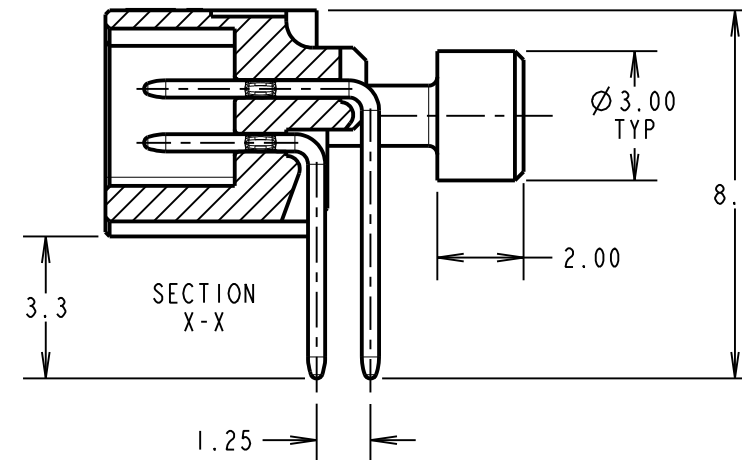
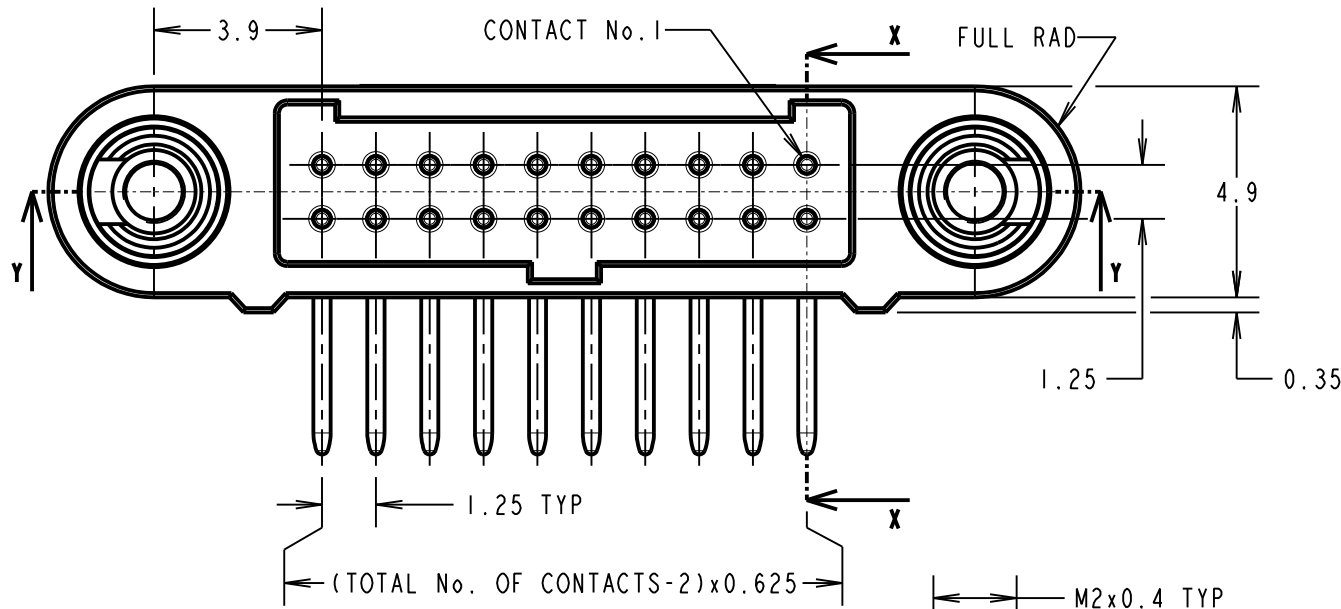
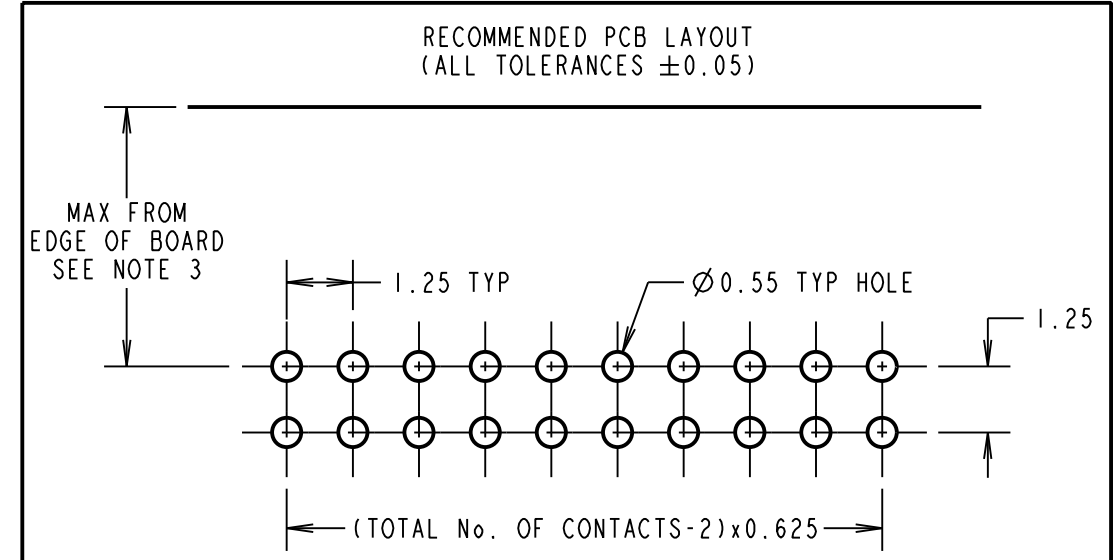
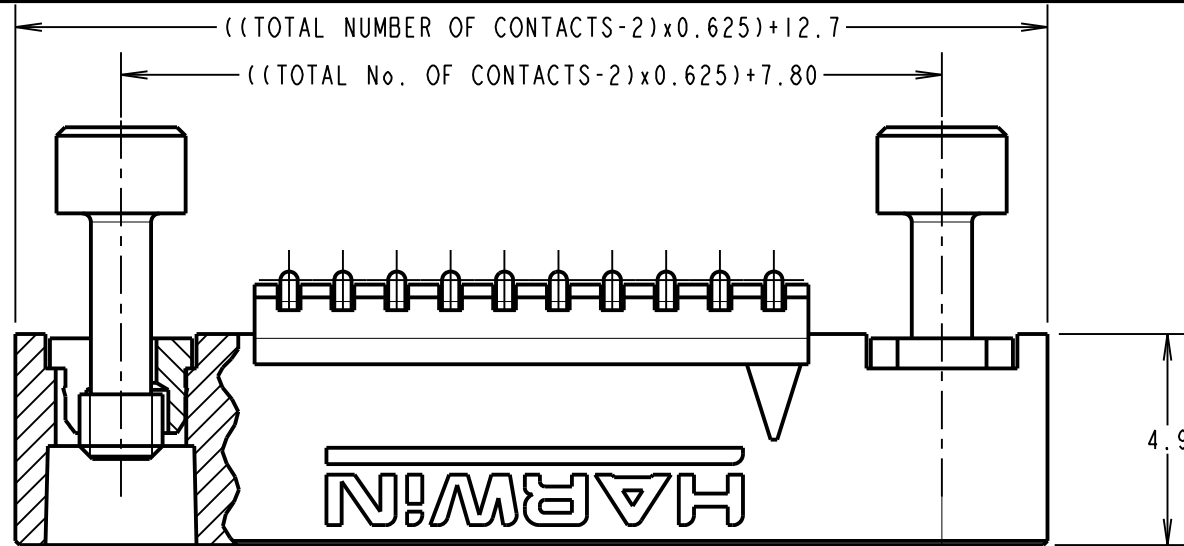
©

NOT TO SCALE

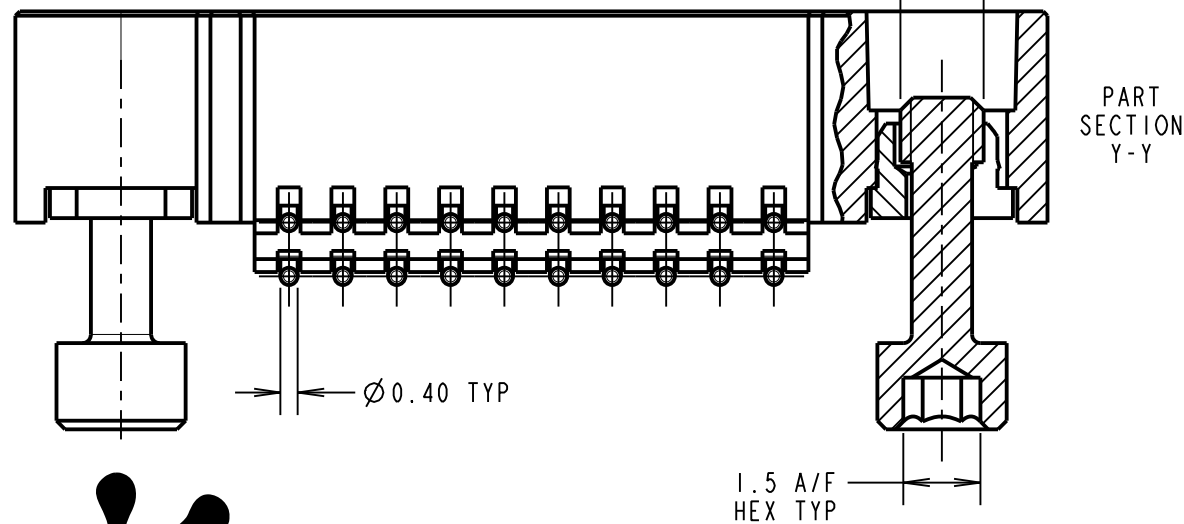
THIRD ANGLE PROJECTION

ALL DIMENSIONS IN mm

PART SECTION Y-Y



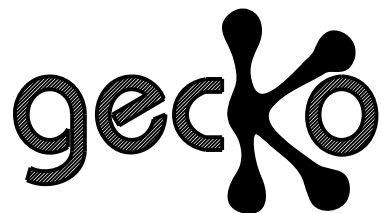
PRODUCT CODE:
G125-MH1XX05M3R
 TOTAL No. OF CONTACTS
 06, 10, 12, 16, 20, 26, 34 & 50.



CONNECTOR AND PCB LAYOUT DETAILS ONLY.
 SEE SHEET 4 FOR TAPE & REEL DETAILS.

- NOTES:
- FOR MATERIALS, FINISH AND SPECIFICATION SEE GECKO SERIES CONNECTORS SPECIFICATION SUMMARY SHEET OR COMPONENT SPECIFICATION C125XX (LATEST ISSUE) FOR FULL SPECIFICATION.
 - DRAWING SHOWS CONNECTOR WITH 20 CONTACTS.
 - MAX DISTANCE OF NEARSIDE CONTACTS TO BOARD EDGE WHEN MATED WITH:
 -UNSHIELDED CABLE: 4.90mm
 -SHIELDED CABLE : 2.75mm

RA	2	21.10.21	30973
NAME	ISS.	DATE	CN/CO
APPROVED:		R.ALEXANDER	
CHECKED:		R.PORTLOCK	
DRAWN:		M.RUDKIN	
CUSTOMER REF.:			
ASSEMBLY DRG:			



HARWIN

www.harwin.com
 technical@harwin.com

THIS DRAWING AND ANY INFORMATION OR DESCRIPTIVE MATTER SET OUT HEREON ARE CONFIDENTIAL AND COPYRIGHT PROPERTY OF THE HARWIN GROUP AND MUST NOT BE DISCLOSED, LOANED, COPIED OR USED FOR MANUFACTURING, TENDERING OR FOR ANY OTHER PURPOSE WITHOUT THEIR WRITTEN PERMISSION.

TOLERANCES
 X. = ±1mm
 X.X = ±0.50mm
 X.XX = ±0.20mm
 X.XXX = ±0.01mm
 ANGLES = ±5°
 UNLESS STATED

MATERIAL:
 SEE ABOVE
 FINISH: SEE ABOVE
 S/AREA: mm²

TITLE: GECKO-SL HORIZONTAL
 PC-TAIL MALE CONNECTOR
 ASSEMBLY IN TAPE & REEL

DRAWING NUMBER:
G125-MH1XX05M3R

SHT
 3 OF 4

Customer Information Sheet

DRAWING No.: G125-MH1XX05M3R

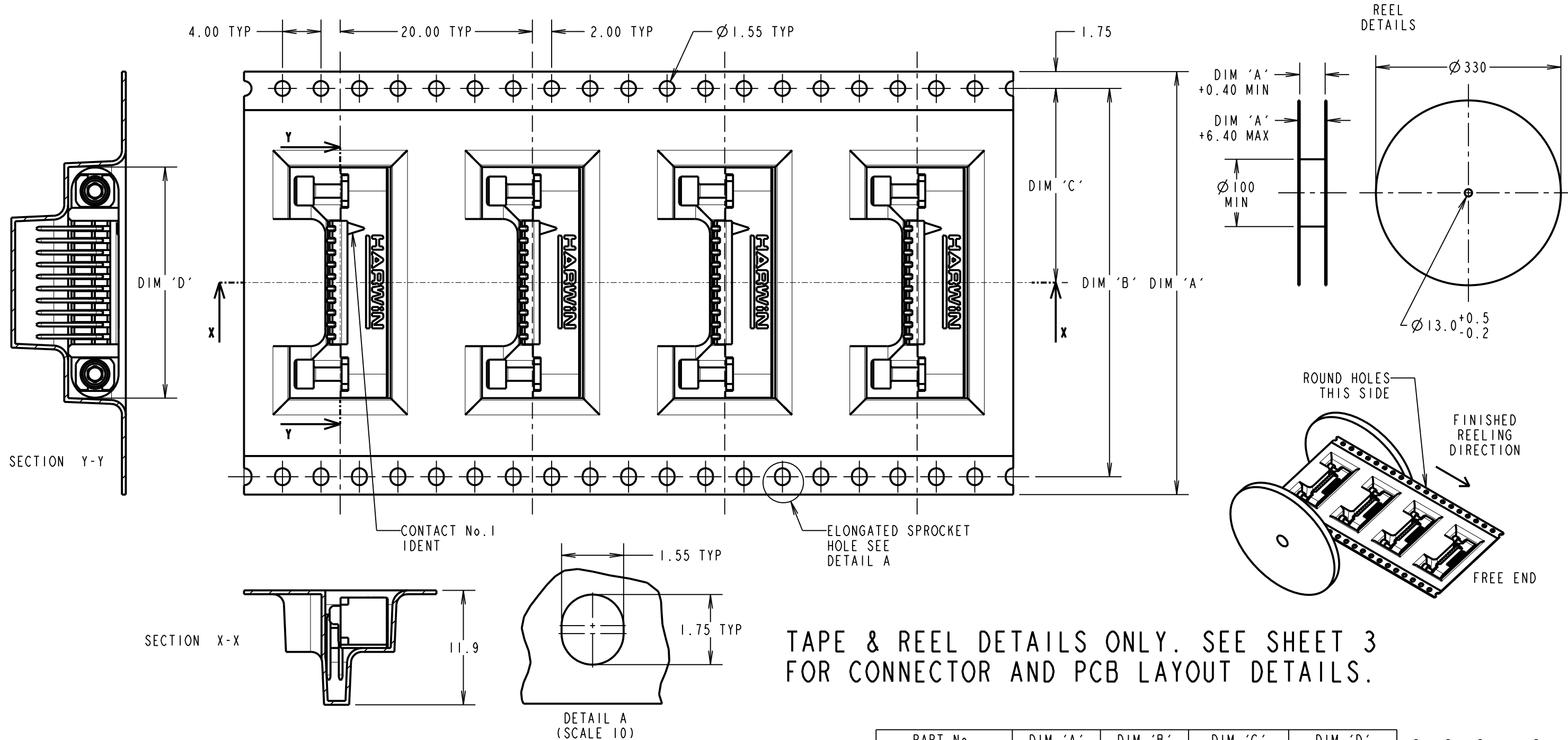
IF IN DOUBT - ASK

©

NOT TO SCALE

THIRD ANGLE PROJECTION

ALL DIMENSIONS IN mm



TAPE & REEL DETAILS ONLY. SEE SHEET 3 FOR CONNECTOR AND PCB LAYOUT DETAILS.

PRODUCT CODE:
G125-MH1XX05M3R

TOTAL No. OF CONTACTS _____
06, 10, 12, 16, 20, 26, 34 & 50.

PART No.	DIM 'A'	DIM 'B'	DIM 'C'	DIM 'D'
G125-MH10605M3R				15.30
G125-MH11005M3R	32.0±0.3	28.40	14.20	17.80
G125-MH11205M3R				19.05
G125-MH11605M3R	44.0±0.3	40.40	20.20±0.15	21.55
G125-MH12005M3R				24.05
G125-MH12605M3R				27.80
G125-MH13405M3R	56.0±0.3	52.40	26.20±0.15	32.80
G125-MH15005M3R				42.80

RA	2	21.10.21	30973
NAME	ISS.	DATE	CN/CO
APPROVED:		R.ALEXANDER	
CHECKED:		R.PORTLOCK	
DRAWN:		M.RUDKIN	
CUSTOMER REF.:			
ASSEMBLY DRG:			



NOTES CONT.:

- COMPONENTS ARE ORIENTED IN TAPE POCKETS AS SHOWN.
- COMPONENTS ARE SUPPLIED IN REELS OF 250 CONNECTORS
- THIS PRODUCT IS TAPE AND REELED IN GENERAL ACCORDANCE WITH EIA-481 (ELECTRONICS INDUSTRIES ASSOCIATION).
- SEE DRAWING G125-MH1XX05M3P FOR OTHER QUANTITIES.

HARWIN

www.harwin.com
technical@harwin.com

THIS DRAWING AND ANY INFORMATION OR DESCRIPTIVE MATTER SET OUT HEREON ARE CONFIDENTIAL AND COPYRIGHT PROPERTY OF THE HARWIN GROUP AND MUST NOT BE DISCLOSED, LOANED, COPIED OR USED FOR MANUFACTURING, TENDERING OR FOR ANY OTHER PURPOSE WITHOUT THEIR WRITTEN PERMISSION.

TOLERANCES
X. = ±1mm
X.X = ±0.50mm
X.XX = ±0.20mm
X.XXX = ±0.01mm
ANGLES = ±5°
UNLESS STATED

MATERIAL:
SEE SHEET 3

FINISH: SEE SHEET 3

S/AREA: mm²

TITLE: GECKO-SL HORIZONTAL PC-TAIL MALE CONNECTOR ASSEMBLY IN TAPE & REEL

DRAWING NUMBER:
G125-MH1XX05M3R

SHT 4 OF 4