

1. 製品名称／PRODUCT NAME : PICOBLADE 1.25 SMT R/A EMBOSSED TAPE PACKAGING
 製品番号／PART NUMBER : 5 3 2 6 1 * * 2 7
 5 3 2 6 1 * * 7 1 (5 3 2 6 1 1 7 7 1 は除く／532611771 is excluded)
 5 3 2 6 1 4 0 * *
 5 3 2 6 1 7 0 * *
 (* * は極数を示す。)
 (* * SHOWS CIRCUITS SIZE.)

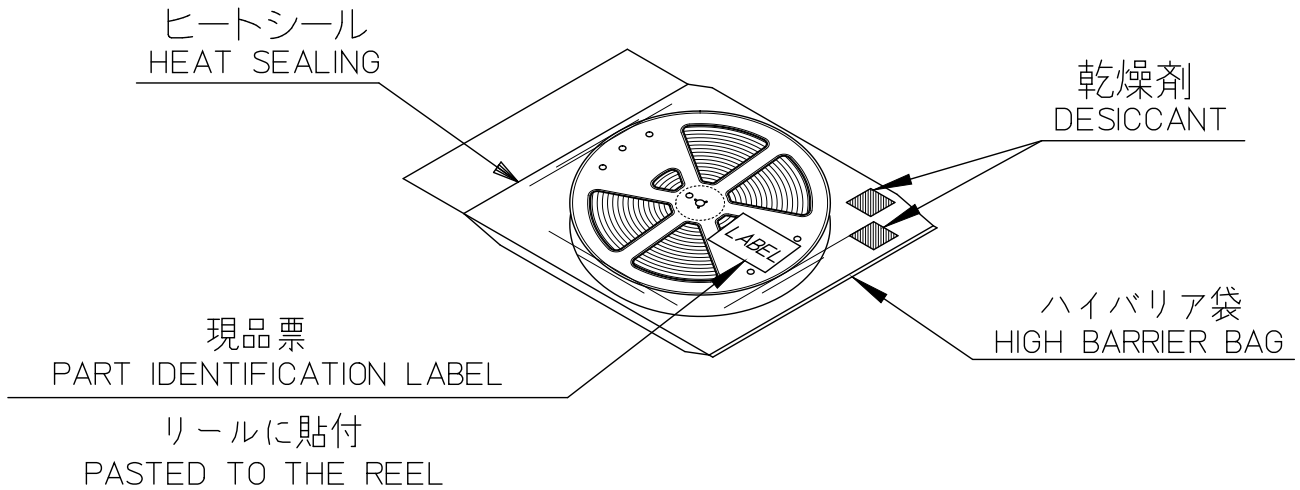
2. 標準梱包数／STANDARD PACK QUANTITY

| 極 数 CKT. SIZE | キャリア テープ幅 (mm) CARRIER TAPE WIDTH (mm) | 1 リール中の製品数 QTY. PER REEL | 外装カートン SHIPPING CARTON | |
|---------------------|---|-----------------------------|---------------------------|-----------------|
| | | | 梱包リール数 NUMBER OF REELS | 製品数 QUANTITY |
| 2 | 16 | 1,600 | 8 | 12,800 |
| 3 | | | | |
| 4 | 24 | 1,600 | 6 | 9,600 |
| 5 | | | | |
| 6 | | | | |
| 7 | | | | |
| 8 | | | | |
| 9 | | | | |
| 10 | | | | |
| 11 | 32 | 1,600 | 5 | 8,000 |
| 12 | | | | |
| 13 | | | | |
| 14 | 44 | 1,600 | 4 | 6,400 |
| 15 | | | | |

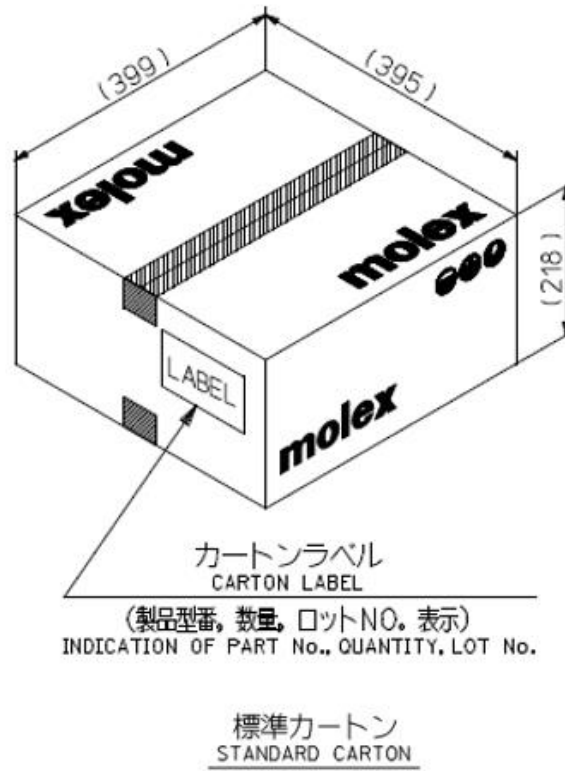
THIS DOCUMENT CONTAINS INFORMATION THAT IS PROPRIETARY TO MOLEX ELECTRONIC TECHNOLOGIES, LLC AND SHOULD NOT BE USED WITHOUT WRITTEN PERMISSION

| | | | | | | | |
|----------------------|------------|--|------------|----------|--------------------------------|----------|--------|
| REVISION DESCRIPTION | REVISED | SALES PACKAGING SPEC. FOR 53261 | | | | | |
| CHANGE NO. | 757246 | | | | | | |
| REVISED BY | YTOKUZONO | DATE | 2022/05/27 | DOC TYPE | DOC TYPE DESCRIPTION | DOC PART | SERIES |
| REV APPR BY | HSHIMOYAMA | DATE | 2023/07/20 | PS | ENGINEERING SPECIFICATION WORD | 001 | 53261 |
| INITIAL RELEASE | | | | CUSTOMER | DOCUMENT NUMBER | REVISION | SHEET |
| INITIAL DRWN | YTOKUZONO | DATE | 2009/06/30 | GENERAL | SPK-53261-002 | H | 1 OF 2 |
| INITIAL APPR | NUKITA | DATE | 2009/07/01 | | | | |

3. ハイバリア袋への梱包方法及びラベル貼付位置 / PACKAGING METHOD FOR HIGH BARRIER BAG AND LABEL POSITION



4. カートン外形参考寸法 / CARTON OUTER DIMENSIONS (REFERENCE PURPOSE ONLY) 単位 / UNIT: mm



THIS DOCUMENT CONTAINS INFORMATION THAT IS PROPRIETARY TO MOLEX ELECTRONIC TECHNOLOGIES, LLC AND SHOULD NOT BE USED WITHOUT WRITTEN PERMISSION

| | | | | | | | |
|----------------------|------------|--|------------|----------|--------------------------------|----------|--------|
| REVISION DESCRIPTION | REVISED | SALES PACKAGING SPEC. FOR 53261 | | | | | |
| CHANGE NO. | 757246 | | | | | | |
| REVISED BY | YTOKUZONO | DATE | 2022/05/27 | DOC TYPE | DOC TYPE DESCRIPTION | DOC PART | SERIES |
| REV APPR BY | HSHIMOYAMA | DATE | 2023/07/20 | PS | ENGINEERING SPECIFICATION WORD | 001 | 53261 |
| INITIAL RELEASE | | | | CUSTOMER | DOCUMENT NUMBER | REVISION | SHEET |
| INITIAL DRWN | YTOKUZONO | DATE | 2009/06/30 | GENERAL | SPK-53261-002 | H | 2 OF 2 |
| INITIAL APPR | NUKITA | DATE | 2009/07/01 | | | | |