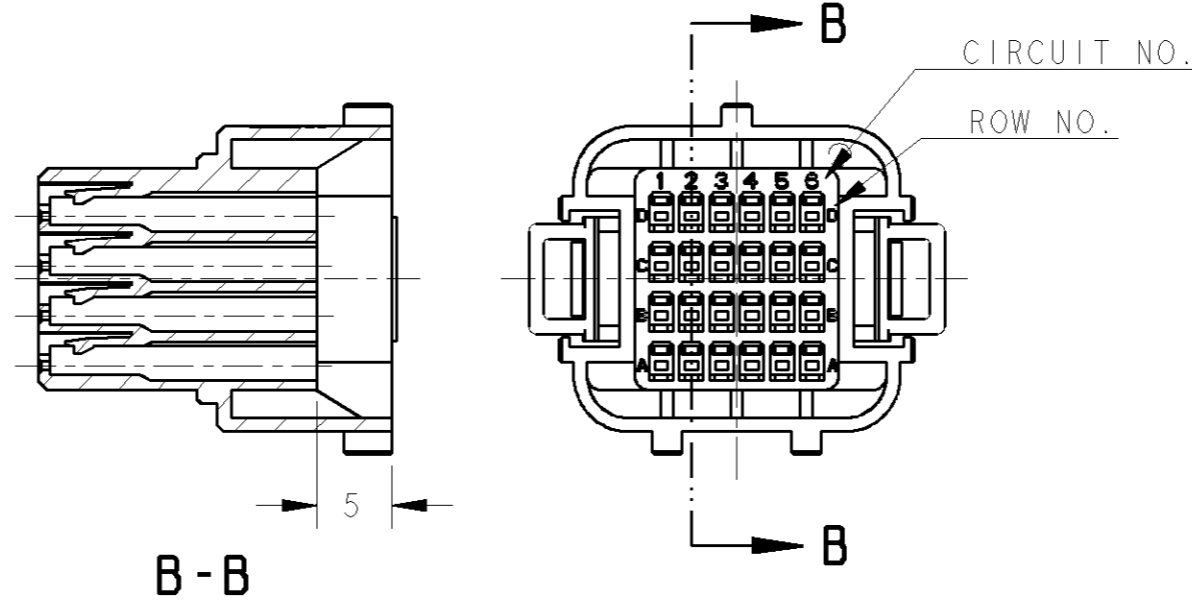
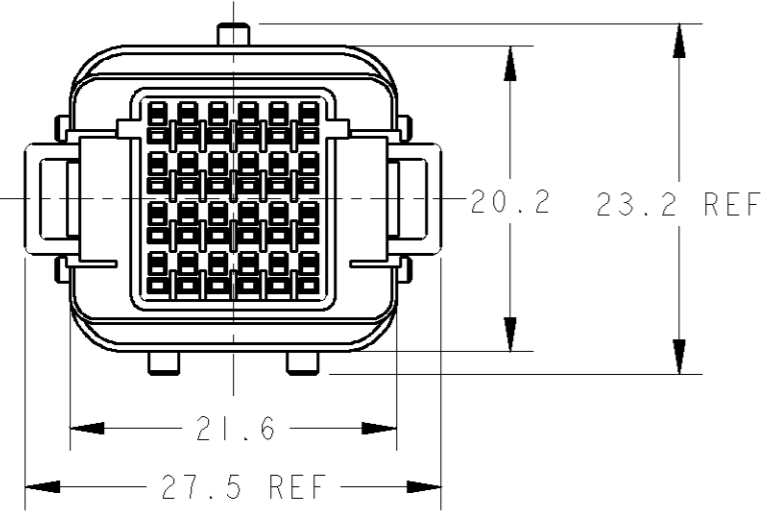
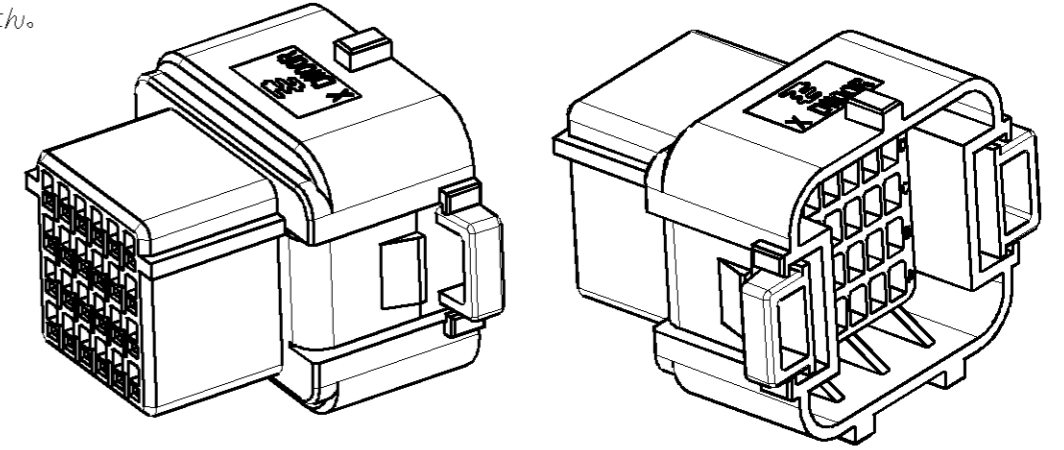
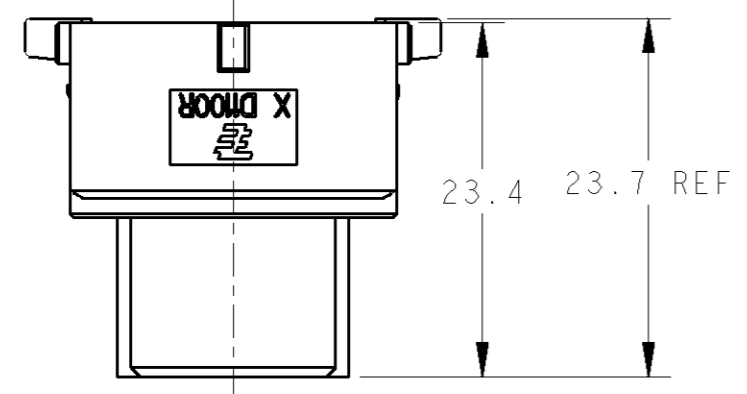


THIS DRAWING IS UNPUBLISHED. RELEASED FOR PUBLICATION 2007
 © COPYRIGHT 2007 BY TYCO ELECTRONICS CORPORATION. ALL INTERNATIONAL RIGHTS RESERVED.

LOC	DIST	REVISIONS					
J		P	LTR	DESCRIPTION	DATE	DWN	APVD
		C		REVISED ECR-10-010452	28MAY2010	T.T	T.M

- ① MATERIAL: POLYBUTYLEN TEREPHTHALATE (94V-0)
 COLOR: BLACK
2. THE SHAPE, SIZE AND POSITION OF THE CHARACTER SHOW THE OUTLINE. THEY DON'T SHOW DETAILS.
- ① 材料: ポリブチレンテレフタレート(94V-0)
 色: 黒
2. 文字の形状、大きさ、および位置については、大略を示すものであり、詳細を示すものではありません。

- 1 : AS SHOWN



<small>THIS DRAWING IS A CONTROLLED DOCUMENT FOR TYCO ELECTRONICS CORPORATION IT IS SUBJECT TO CHANGE AND THE CONTROLLING ENGINEERING ORGANIZATION SHOULD BE CONTACTED FOR THE LATEST REVISION.</small>		DWN T. SAMI 16 JAN 2007 CHK D. MITSUGI 27 MAR 2007 APVD D. MITSUGI 27 MAR 2007		Tyco Electronics Corporation Kawasaki, Japan	
DIMENSIONS: 単位: ㎜ mm	TOLERANCES UNLESS OTHERWISE SPECIFIED: 一般公差 ±0.3, ±3° 0-PLC ± 1-PLC ± 2-PLC ± 3-PLC ± 4-PLC ± ANGLES ±	PRODUCT SPEC 製品規格 108-78417	NAME 名称 MULTI ENCLOSURE CONN M DYNAMIC D1100 R-TYPE REC HSG 24 POS		
MATERIAL 材料 	FINISH 仕上	APPLICATION SPEC 取付適用規格 114-5377	WEIGHT 5.39 g	SIZE A3 CAGE CODE 00779 DRAWING NO. C-1981551	RESTRICTED TO
CUSTOMER DRAWING			SCALE 尺度 2:1	SHEET 1 OF 1	REV C