

BRS Series

Slim Profile High Power Metal Clad Braking Resistors

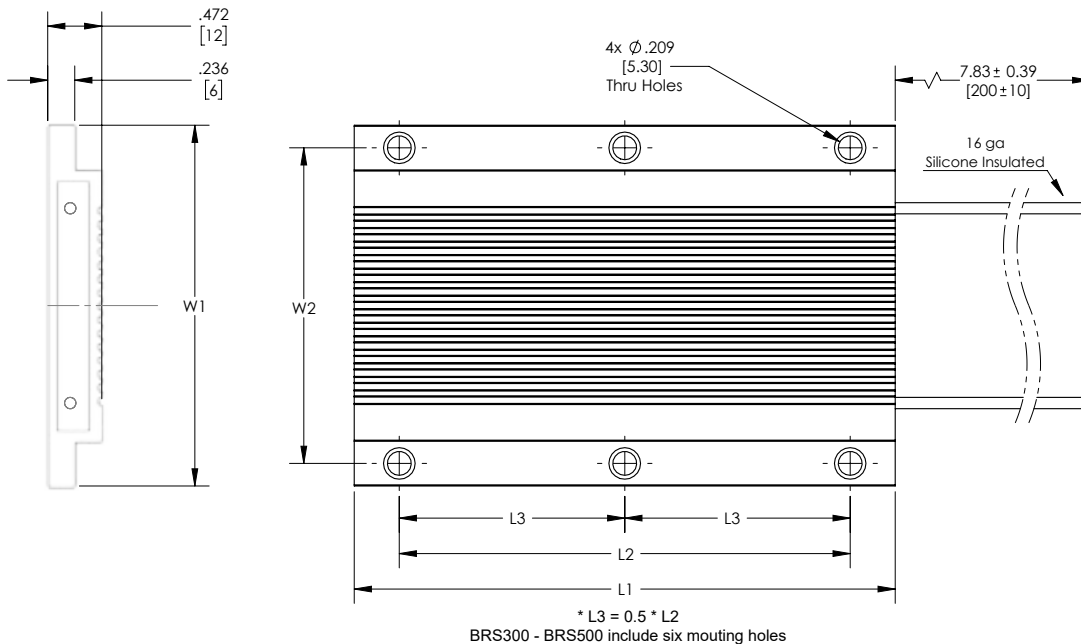


- Wirewound Technology
- Power ratings from 100 to 500 watts
- Resistance range of 1Ω to 5KΩ
- Tolerances of 1%, 5%, or 10%
- Ultra slim 12mm profile
- Compact Packaging

BRS SPECIFICATIONS

Type	Power Rating with Heatsink (watts)	Resistance Range (Ω)	Dimensions - Inches (mm)			
			L_1 ± 0.04 (1.0)	L_2 ±0.020 (0.5)	W_1 ±0.020 (0.5)	W_2 ±0.020 (0.5)
BRS100	100	1 - 1.0K	3.54 (90)	2.76 (70)	3.15 (80)	2.76 (70)
BRS150	150	1 - 1.0K	4.72 (120)	3.94 (100)	3.15 (80)	2.76 (70)
BRS200	200	1 - 2.0K	5.91 (150)	5.12 (130)	3.15 (80)	2.76 (70)
BRS250	250	1 - 2.5K	7.08 (180)	6.30 (160)	3.15 (80)	2.76 (70)
BRS300*	300	1 - 3.0K	8.27 (210)	7.48 (190)	3.15 (80)	2.76 (70)
BRS400*	400	1 - 4.0K	10.63 (270)	9.84 (250)	3.15 (80)	2.76 (70)
BRS500*	500	1 - 5.0K	12.99 (330)	12.20 (310)	3.15 (80)	2.76 (70)

*Power rating note: Stated power rating is dependent on the resistor being mounted to a panel or heatsink of adequate mass to prevent the resistor surface from exceeding 200°C.



Ordering Information

Part Description: Part Type - Resistance - Tolerance

Example: BRS200 10 OHM 5%

BRS Series

Slim Profile High Power Metal Clad Braking Resistors



Environmental Specifications BRS	
Operating Temperature Range	-55°C - 200°C
TCR	< 260ppm maximum
Dielectric Withstanding Voltage	2500 VAC
Insulation Resistance	20MΩ minimum
Short Time Overload	±1%+0.05Ω 5 times rated power for 5 seconds
Moisture Resistance	±2%+0.05Ω 40°C, 95% RH, 100Vdc case to terminal, 500 hours
Load Life	±5%+0.05Ω 90 minutes rated power, 30 minutes off, 500 hours
Thermal Shock	±2%+0.05Ω 30 minutes rated power, 15 minutes -25°C
Vibration	±1%+0.05Ω 10Hz - 55Hz - 10Hz (1 minute) 2 hours each direction
Moisture Load Life	±2%+0.05Ω 40°C, 95% RH, 90 minutes 10% rated power, 30 minutes off 500 hours
Terminations	7.87 ± 0.39 (200 ± 10mm)Silicone heat resistant wire 16ga (1.39mm ²), white

