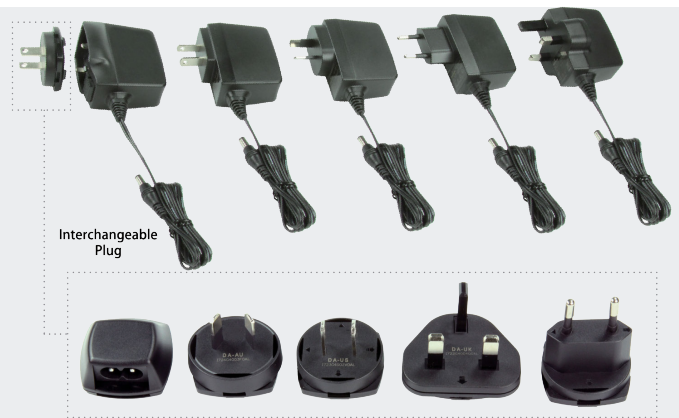


# ARTESYN DA10-M SERIES

10 Watts



Advanced Energy's Artesyn new standard DA10-M series of plug-in wall-mount AC-DC power adapters feature full (non-patient critical) medical and ITE safety approvals. It meets Department of Energy Level VI and European Code of Conduct v5 Tier 2 Directive efficiency standards.

## AT A GLANCE

### Total Power

10 Watts

### Input Voltage

90 to 264 VAC

### # of Outputs

Single, 5 Volts

### SPECIAL FEATURES

- Medical and ITE safeties
- Switching wall-mount power supply
- Available in interchangeable and fixed AC plug configurations
- Universal AC input
- Fully regulated output
- Overvoltage, overcurrent, short circuit and overtemperature protection
- EU CoC v5 Tier 2 compliant
- Energy Star and CeC compliant
- Efficiency level VI
- RoHS compliant
- Constant current
- High MTBF
- Built in EMI filter (CISPR 32 Class B)

### SAFETY

- UL 62368-1, 60601-1
- cUL 62368-1, 60601-1
- TUV 60950-1, 60601-1
- RCM AS/NZS 60950-1
- CB Certificate and report
- CE EMC, LVD, RoHS & ErP 2011 for MP, EU & UK versions
- UKCA Mark for MP, EU & UK versions
- PSE Denan 60950
- CCC <2000M, No Tropical
- Others NRCAN, DoE, CEC, AUGEMS





### AC PLUG CONFIGURATION FOR FIXED PLUG

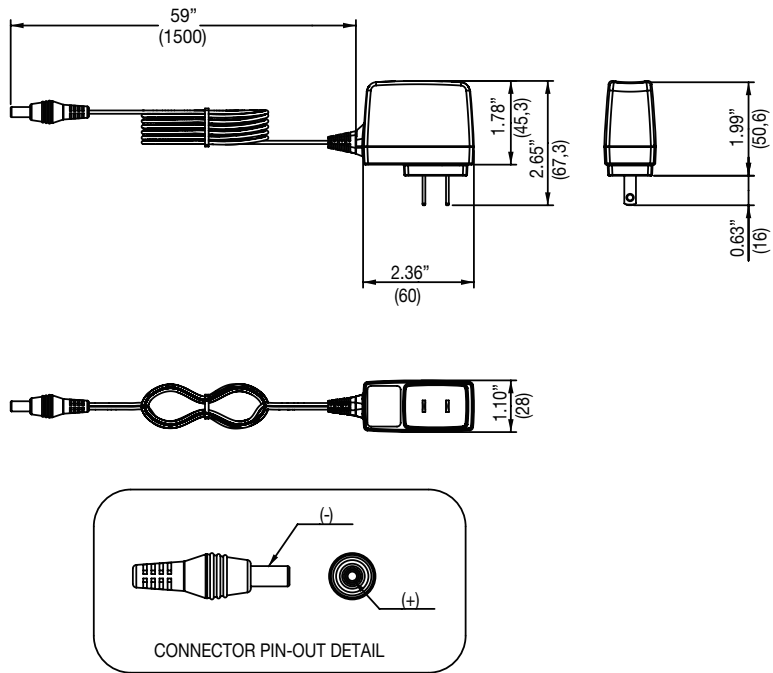
U.S. 2-prong	US
Europe 2-prong	EU
United Kingdom 3-prong	UK
Australia 2-prong	AU

### AC PLUG CONFIGURATION FOR INTERCHANGEABLE PLUG

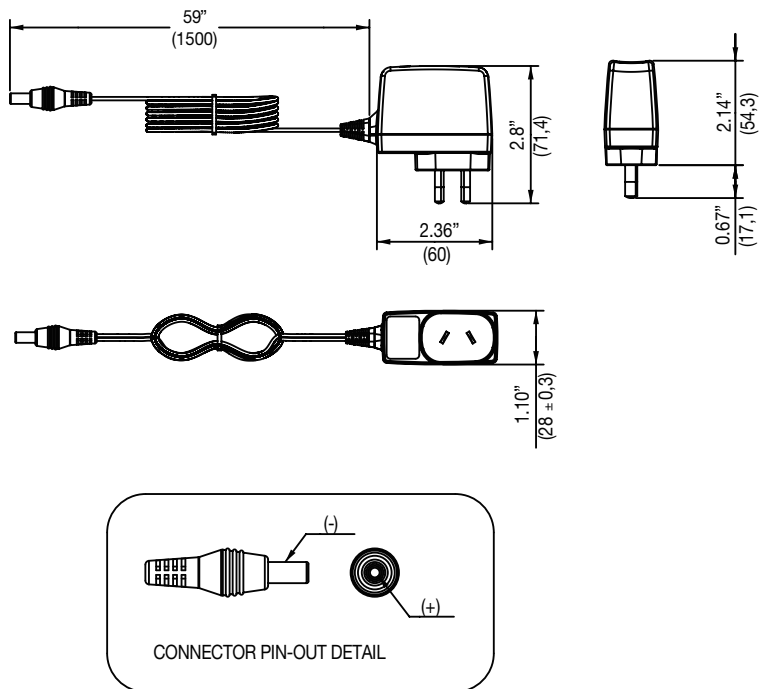
U.S. 2-prong	DA-US
Europe 2-prong	DA-EU
United Kingdom 3-prong	DA-UK
Australia 2-prong	DA-AU
C8 - 2 receptacle	DA-C8
Japan 2-prong	DA-JP
China 2-prong	DA-CH
Korea 2-prong	DA-KR

MECHANICAL DRAWINGS

DA10-050US-M

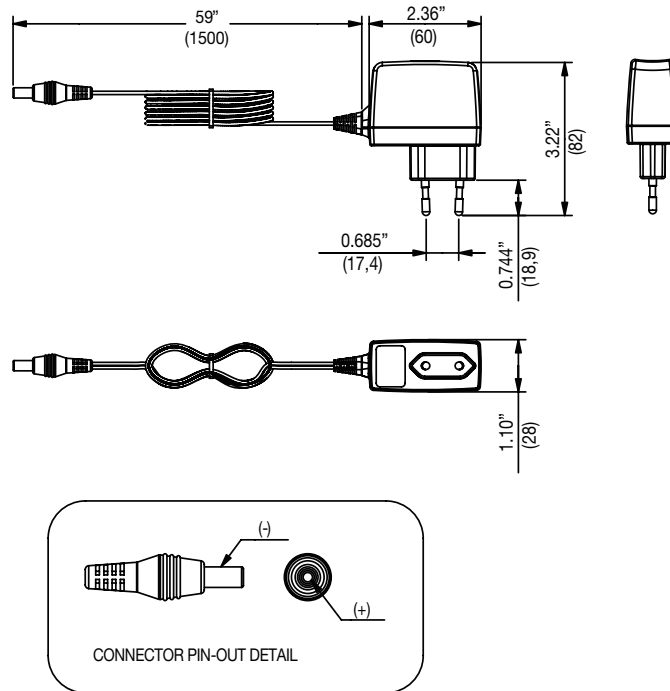


DA10-050AU-M

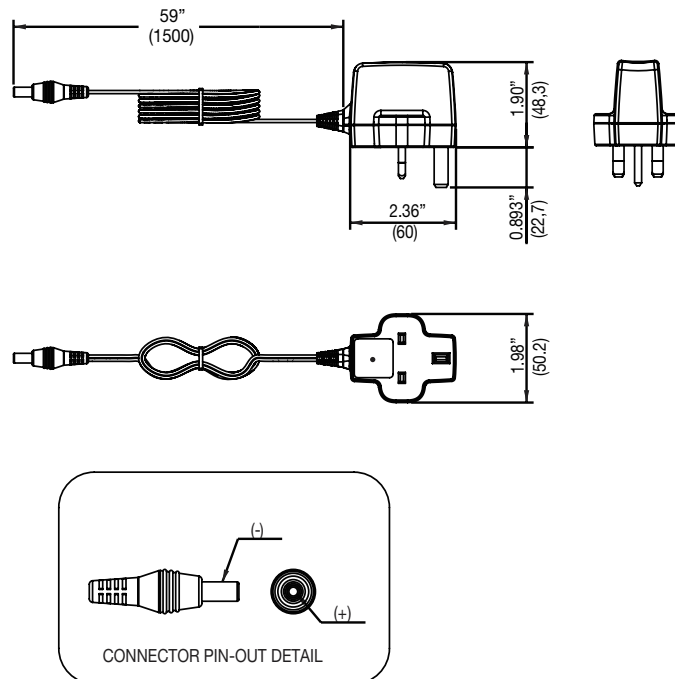


MECHANICAL DRAWINGS

DA10-050EU-M

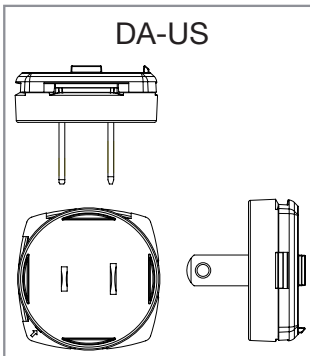
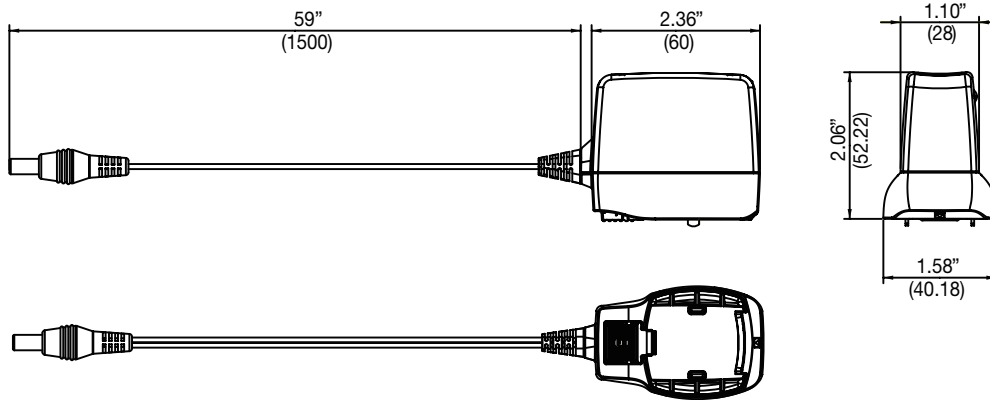


DA10-050UK-M

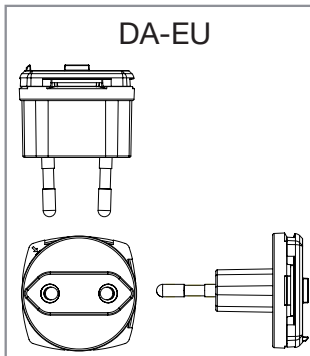
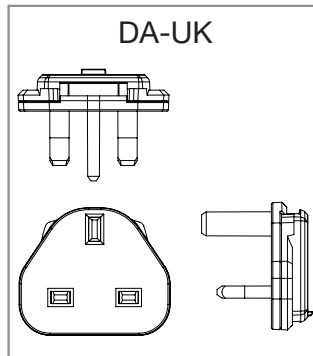


MECHANICAL DRAWINGS

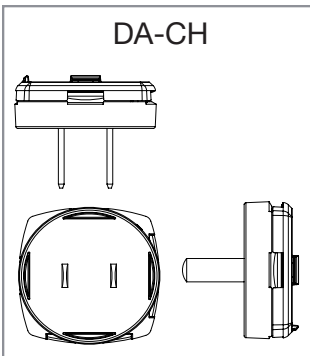
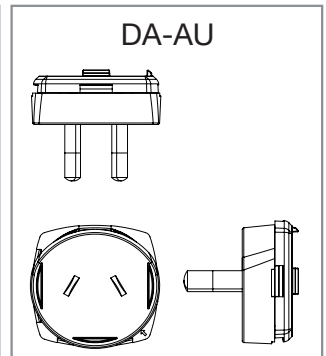
DA10-050MP-M and Plugs



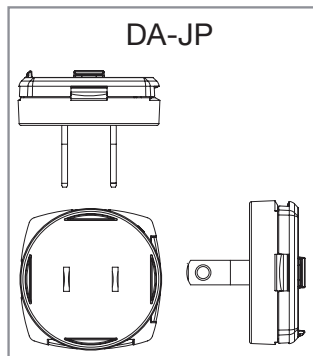
\*Can be inserted straight or 90°



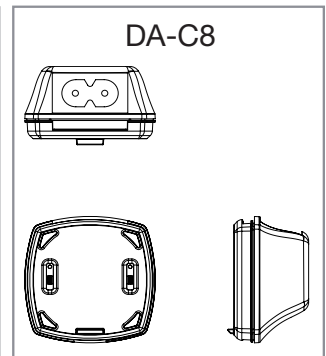
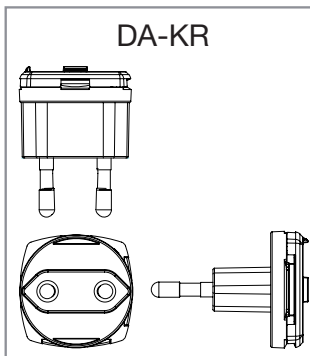
\*Can be inserted straight or 90°



\*Can be inserted straight or 90°



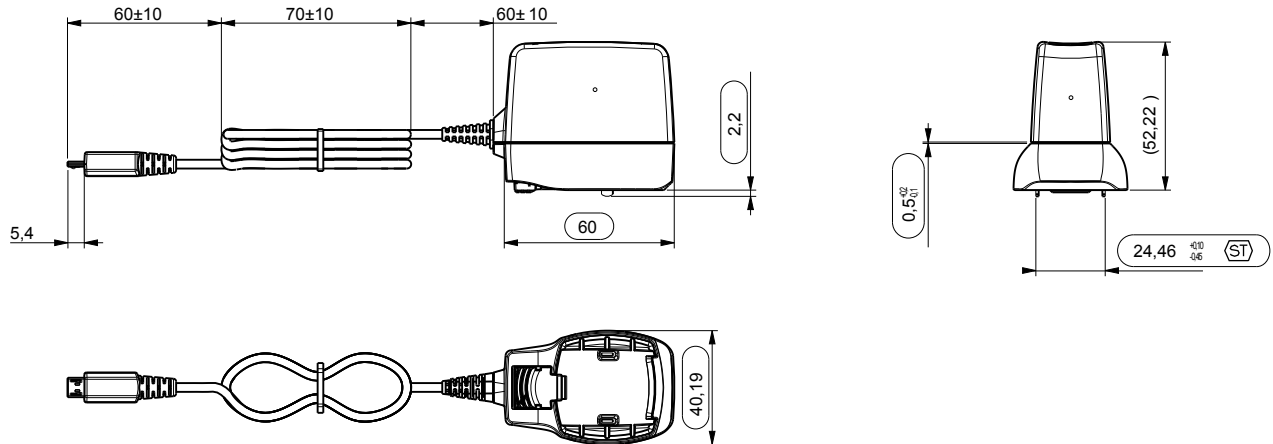
\*Can be inserted straight or 90°



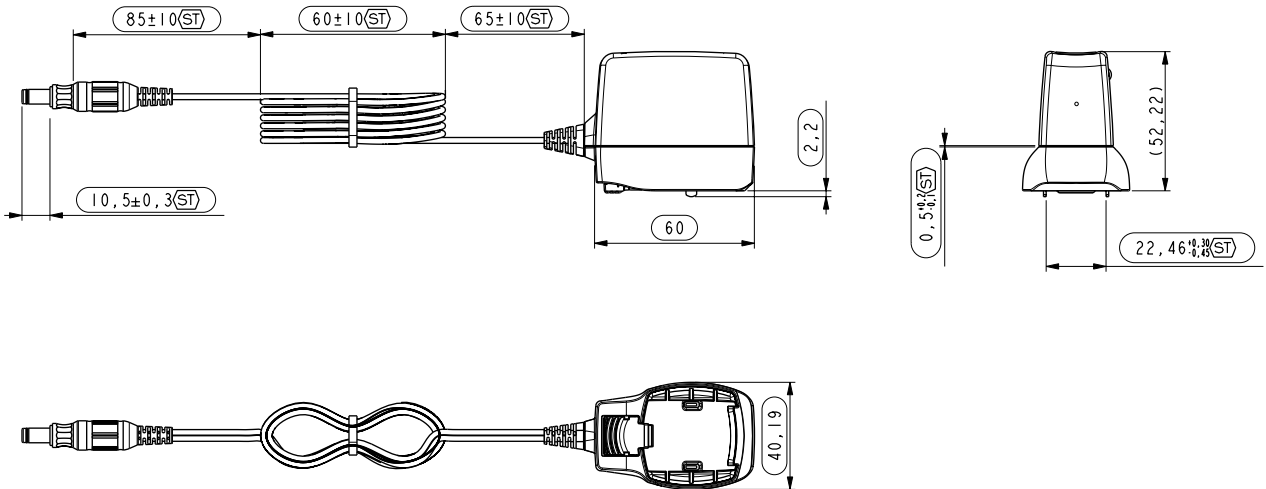
- Notes:
1. Specifications subject to change without notice.
  2. All dimensions in inches (mm), tolerance is  $\pm .02$ ".
  3. Weight: 0.25 lb/0.114 kg
  4. Warranty: 2 years

MECHANICAL DRAWINGS

DA10-050MP-M402



DA10-050MP-M2.1



- Notes:
1. Specifications subject to change without notice.
  2. All dimensions in mm
  3. Weight: 0.25 lb/0.114 kg
  4. Warranty: 2 years

ORDERING INFORMATION - DA10 ADAPTER

Model Number	Maximum Power	Output Voltage	Minimum Load	Maximum Load	Regulation <sup>2</sup>	Ripple P/P (PARD) <sup>3</sup>
DA10-050US-M	10 W	5.0 V	0 A	2.0 A	± 5%	< 100 mV
DA10-050EU-M	10 W	5.0 V	0 A	2.0 A	± 5%	< 100 mV
DA10-050UK-M	10 W	5.0 V	0 A	2.0 A	± 5%	< 100 mV
DA10-050AU-M	10 W	5.0 V	0 A	2.0 A	± 5%	< 100 mV
DA10-050MP-M*	10 W	5.0 V	0 A	2.0 A	± 5%	< 100 mV
DA10-050MP-M2.1**	10 W	5.0 V	0 A	2.0 A	± 5%	< 100 mV
DA10-050MP-M402***	10 W	5.0 V	0 A	2.0 A	± 5%	< 100 mV

\* Interchangeable version - AC plugs must be purchased separately to be used with DA10-050MP-M.

\*\* 2.1 mm x 5.5 mm barrel plug

\*\*\* Micro USB connector

ORDERING INFORMATION - DA10 INTERCHANGEABLE PLUG

Model Number	
DA-US	DA-C8
DA-EU	DA-JP
DA-UK	DA-CH
DA-AU	DA-KR
DA-All (Includes DA-US, DA-EU, DA-UK, and DA-AU)	

1. Peak current lasting < 30 seconds with a maximum 10% duty cycle.

2. At 25 °C including initial tolerance, line voltage, load currents and output voltages adjusted to factory settings.

3. Peak-to-peak with 20 mHz bandwidth and 10 µF in parallel with a 0.1 µF capacitor at rated line voltage and load ranges.





For international contact information,  
visit [advancedenergy.com](http://advancedenergy.com).

[powersales@aei.com](mailto:powersales@aei.com) (Sales Support)  
[productsupport.ep@aei.com](mailto:productsupport.ep@aei.com) (Technical Support)  
+1 888 412 7832

## ABOUT ADVANCED ENERGY

Advanced Energy (AE) has devoted more than three decades to perfecting power for its global customers. AE designs and manufactures highly engineered, precision power conversion, measurement and control solutions for mission-critical applications and processes.

Our products enable customer innovation in complex applications for a wide range of industries including semiconductor equipment, industrial, manufacturing, telecommunications, data center computing, and medical. With deep applications know-how and responsive service and support across the globe, we build collaborative partnerships to meet rapid technological developments, propel growth for our customers, and innovate the future of power.

PRECISION | POWER | PERFORMANCE

---

Specifications are subject to change without notice. Not responsible for errors or omissions. ©2022 Advanced Energy Industries, Inc. All rights reserved. Advanced Energy®, AE® and Artesyn™ are U.S. trademarks of Advanced Energy Industries, Inc.