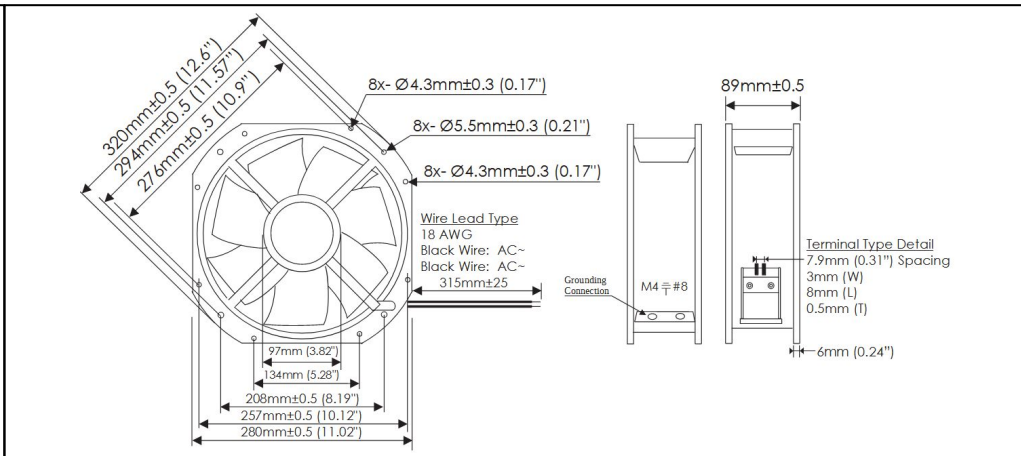


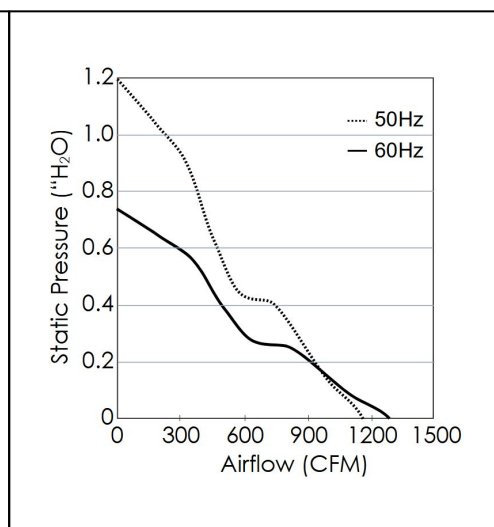
OA280AP IP Rated Series



AC Fans - 115, 230V
280mm x 89mm
(11.0" x 3.5")



Frame	Die Cast Aluminum, Black Finish	Operating Temperature -30°C ~ +80°C Storage Temperature -40°C ~ +100°C Life Expectancy 50,000 Hours (L10 at 55°C) Installed Options IP68 or IP69K Rated Motor Weight: 7.4 lbs
Impeller	Steel Alloy, Black Finish	
Connection	Lead Wires, 18 AWG, or Terminals	
Motor	AC, Capacitor Induction, Single Phase, Thermally Protected, IP68 or IP69K	
Bearing System	Ball Bearings	
Dielectric Strength	1500VAC/min, <1mA	
Insulation Resistance	≥10MΩ @ 500V DC	



Part Number	Rated Voltage (Volts AC)	Voltage Range (Volts AC)	Frequency (Hertz)	Input Power (Watts)	Rated Speed (RPM)	Max Airflow (CFM)	Noise Level (dBA)	Max Static Pressure ("H ₂ O)
OA280AP-11-1*B18***	115	100 ~ 125	50 / 60	155 / 210	2775 / 3150	1150 / 1300	73	1.2 / 0.75
OA280AP-22-1*B18***	230	200 ~ 240	50 / 60	155 / 210	2775 / 3150	1150 / 1300	73	1.2 / 0.75

* Substitute "T" for Terminal connection type, or "W" for Lead Wire connection type.
 *** Substitute "68" for IP68 Rating, or "69K" for IP69K Rating.