

# PB6B2FM6M1CAL01Y500 ✓ ACTIVE

Alcoswitch | Alcoswitch PB6

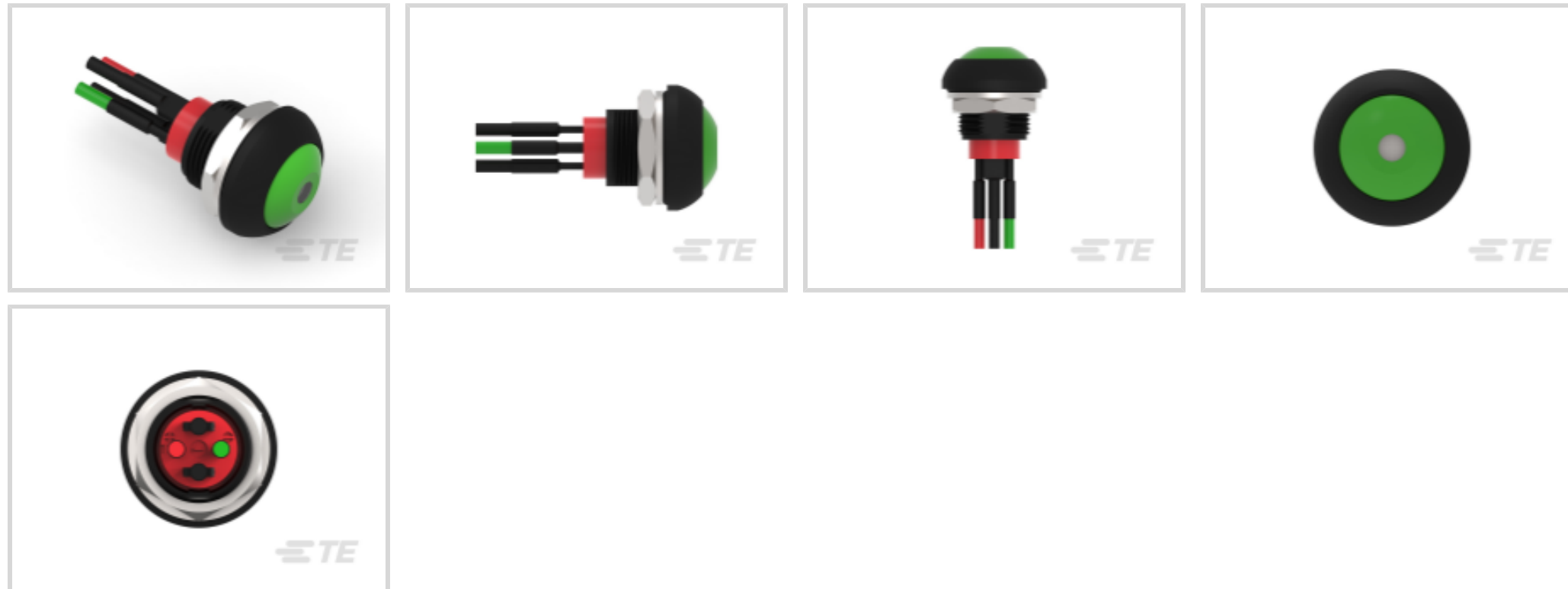
TE Internal #: 1-2329389-6

Push Button Switches, Single Pole - Single Throw Configuration (Pole-Throw), Switch, Single Actuator, Flush Actuator Profile, Threaded, Alcoswitch PB6

[View on TE.com >](#)



Relays, Contactors & Switches > Switches > Push Button Switches



Configuration (Pole-Throw): **Single Pole - Single Throw**

Push Button Switch Product Type: **Switch**

Number of Actuators: **Single**

Actuator Profile: **Flush**

Bushing Style: **Threaded**

## Features

### Product Type Features

Switch Type	Pushbutton
Dust Proof	Yes
Push Button Switch Product Type	Switch
Illuminated	Yes
Actuator Style	Round

### Configuration Features

ESD Grounding Terminal	Without
Detent Style	Audible
Ganged	No
Configuration (Pole-Throw)	Single Pole - Single Throw
Number of Actuators	Single
Snap Action	Without
Support Bracket	Without
Tactile	No



Operating Function	Momentary
--------------------	-----------

### Electrical Characteristics

Push Button Switch Voltage Rating	50 VDC
-----------------------------------	--------

### Body Features

Actuator Force	306 – 612 g[10.8 – 21.6 oz]
----------------	-----------------------------

Case Material	Diallyl Phthalate (DAP)
---------------	-------------------------

Actuator Material	Polyamide
-------------------	-----------

Actuator Profile	Flush
------------------	-------

Bushing Style	Threaded
---------------	----------

Bushing Thread Size	M12 x .75
---------------------	-----------

Actuator Color	Green
----------------	-------

### Contact Features

Push Button Switch Contact Current Rating	.12 A
---	-------

Switch Contact Plating Material	Gold over Silver
---------------------------------	------------------

### Termination Features

Termination Type	Long Leads
------------------	------------

### Mechanical Attachment

Mounting Angle	Vertical
----------------	----------

Push Button Switch Mounting Type	Panel
----------------------------------	-------

### Housing Features

Process Sealed	Yes
----------------	-----

### Industry Standards

IP Rating	IP68
-----------	------

### Packaging Features

Packaging Method	Loose Piece
------------------	-------------

### Other

Comment	(On) indicates momentary position.
---------	------------------------------------

### Product Compliance

[For compliance documentation, visit the product page on TE.com>](#)

EU RoHS Directive 2011/65/EU	Compliant with Exemptions
------------------------------	---------------------------



EU ELV Directive 2000/53/EC

Compliant with Exemptions

China RoHS 2 Directive MIIT Order No 32, 2016

Restricted Materials Above Threshold

EU REACH Regulation (EC) No. 1907/2006

Current ECHA Candidate List: JUNE 2023 (235)

Candidate List Declared Against: JUNE 2023 (235)

SVHC > Threshold:

Pb (4% in Component Part)

**Article Safe Usage Statements:**

Do not eat, drink or smoke when using this product. Wash thoroughly after handling. Recycle if possible and dispose of the article by following all applicable governmental regulations relevant to your geographic location.

Halogen Content

Low Halogen - Br, Cl, F, I < 900 ppm per homogenous material. Also BFR/CFR/PVC Free

Solder Process Capability

Not reviewed for solder process capability

**Product Compliance Disclaimer**

This information is provided based on reasonable inquiry of our suppliers and represents our current actual knowledge based on the information they provided. This information is subject to change. The part numbers that TE has identified as EU RoHS compliant have a maximum concentration of 0.1% by weight in homogenous materials for lead, hexavalent chromium, mercury, PBB, PBDE, DBP, BBP, DEHP, DIBP, and 0.01% for cadmium, or qualify for an exemption to these limits as defined in the Annexes of Directive 2011/65/EU (RoHS2). Finished electrical and electronic equipment products will be CE marked as required by Directive 2011/65/EU. Components may not be CE marked. Additionally, the part numbers that TE has identified as EU ELV compliant have a maximum concentration of 0.1% by weight in homogenous materials for lead, hexavalent chromium, and mercury, and 0.01% for cadmium, or qualify for an exemption to these limits as defined in the Annexes of Directive 2000/53/EC (ELV). Regarding the REACH Regulation, the information TE provides on SVHC in articles for this part number is based on the latest European Chemicals Agency (ECHA) 'Guidance on requirements for substances in articles' posted at this URL: <https://echa.europa.eu/guidance-documents/guidance-on-reach>

## Compatible Parts



TE Part # 2329387-4  
PB OFF/ON FC BLK M1 TERM GRE LED IP68



TE Part # 2329383-3  
PB OFF/ON FC YLW M1 TERM. IP68



TE Part # 2329359-1  
PN OFF/ON HC BLK M1 TERM IP68 500MM LHS



TE Part # 2329359-2  
PN OFF/ON HC RED M1 TERM IP68 500MM LHS



TE Part # 2329361-3  
PB OFF/ON RC YLW M1 TERM IP68 500MM L

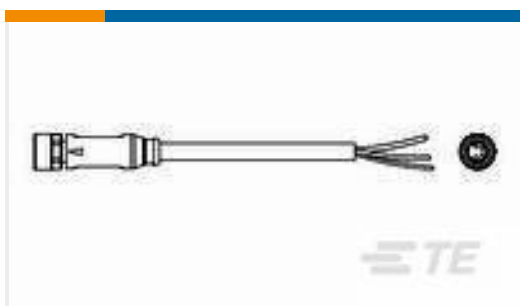


## Also in the Series | Alcoswitch PB6



Push Button Switches(165)

## Customers Also Bought



TE Part #2273003-4  
M8 x 1.0 straight socket Pigtail



TE Part #2273011-4  
M8 Female Right Angle Pigtails



TE Part #1-2329389-4  
PB OFF/ON FC YLW M1 TERM GRE  
LED IP68 50



TE Part #1-2329387-5  
PB OFF/ON FC YLW M1 TERM BLU  
LED IP68



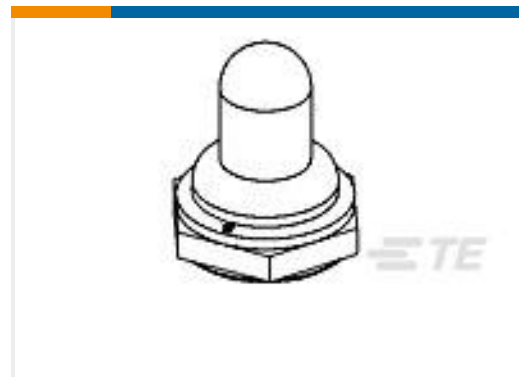
TE Part #2-2329389-2  
PB OFF/ON FC BLU M1 TERM RED  
LED IP68 50



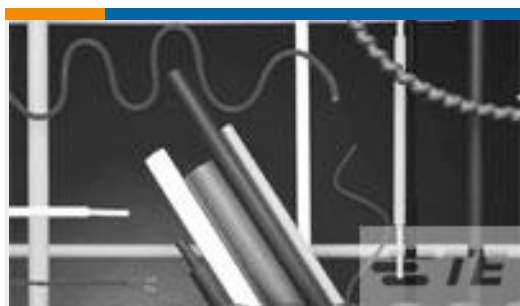
TE Part #YD369-HP99-NP10000  
369 HARSH 9 WAY PLUG, CRIMP, PIN



TE Part #499943-000  
55A4831-22-MST3-9CS2275



TE Part #1825612-3  
B1440804=Boot,Toggle



TE Part #CH52756001  
CGPT-1.6/0.8-0-75MM

## Documents

### Product Drawings

[PB OFF/ON FC GRE M1 TERM WHI LED IP68 50](#)

English

### CAD Files

[3D PDF](#)

[3D](#)



**Customer View Model**

[ENG\\_CVM\\_CVM\\_1-2329389-6\\_B.2d\\_dxf.zip](#)

English

**Customer View Model**

[ENG\\_CVM\\_CVM\\_1-2329389-6\\_B.3d\\_igs.zip](#)

English

**Customer View Model**

[ENG\\_CVM\\_CVM\\_1-2329389-6\\_B.3d\\_stp.zip](#)

English

By downloading the CAD file I accept and agree to the [Terms and Conditions](#) of use.

**Datasheets & Catalog Pages**

[IP68 Sub Mini PB Data Sheet](#)

English