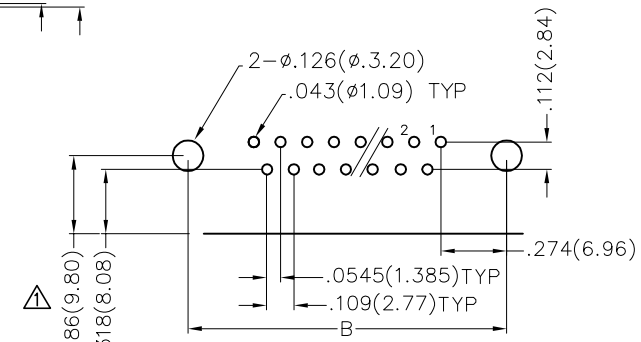
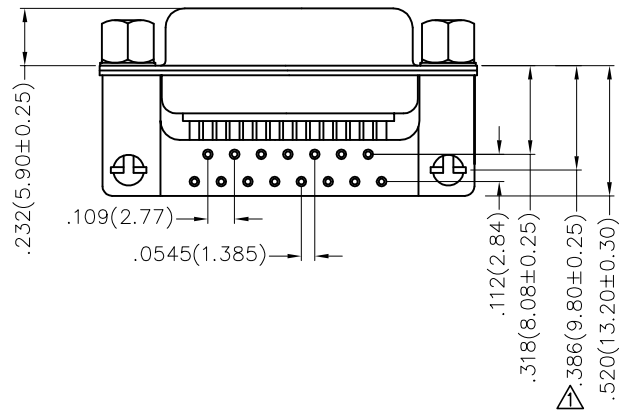
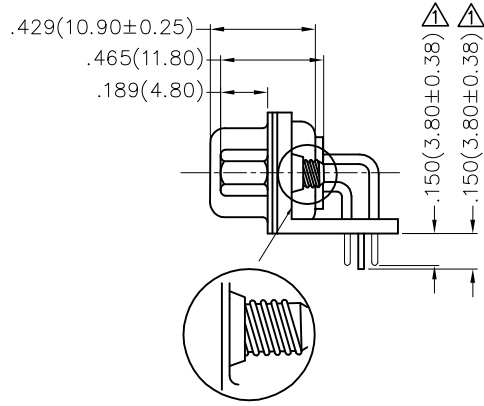
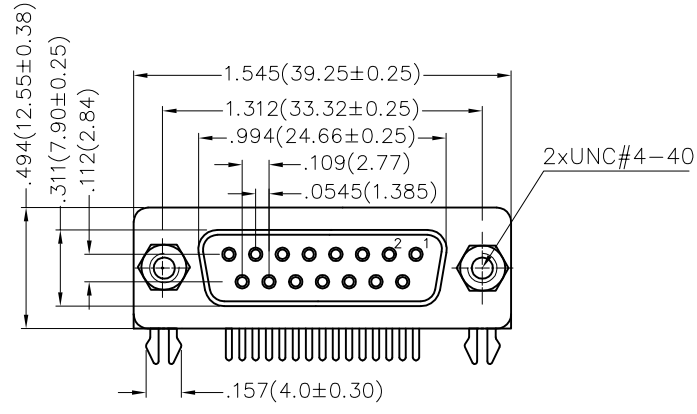


REV	LOCATIONS	DESCRIPTION	DATE	REVISER	APPD
1	△	Size change	20/JUL/22	MATT	CHERRY




Recommended P.C.Board Layout

Ordering Information

FDM 15 01 - FO D B 1 XX XX X
 1 2 3 4 5 6 7 8 9 10

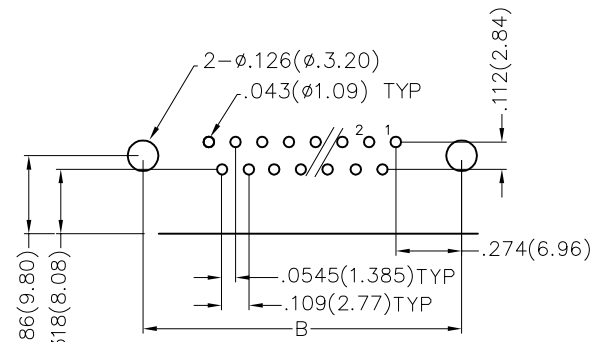
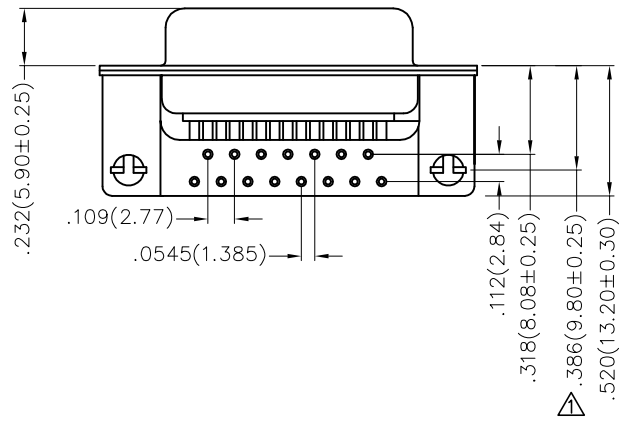
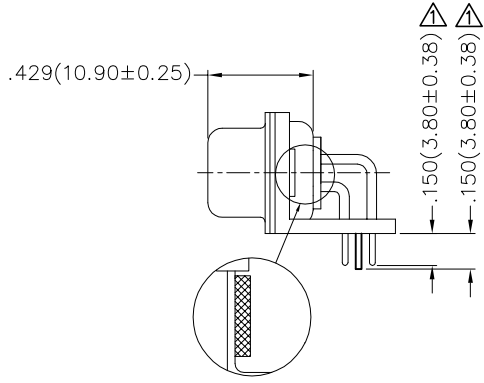
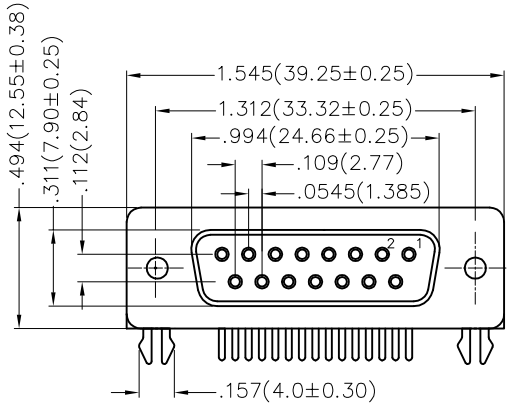
1 Category FDM-Machined pin D-SUB connector	2 Circuits 15	3 Distinction No. 01	4 Type FO-Female	5 Assembly Layout D-DIP	6 Entry Angle B-90° Angle
7 Plating 1-Gold Plated	8 Thickness of Plating 01-1μ" 03-3μ" Custom plate available	9 Color-Resin W1-White K6-Black	10 Packaging K-Tray L-Tube		

Materials And Finish
 Shell: Spcc Material, Front Nickel Plated 80μ" Min
 Back Shell Tin Plated 100μ" Min
 Insulator: Glass Filled Thermoplastic, UL 94V-0
 Contact Material: Brass /Gold Plated
 Electrical Characteristic
 Current Rating: 7.5A
 Voltage Rating: 300V
 Contact Resistance: 5mΩ Max
 Dielectric Withstanding Voltage :1000V AC r.m.s
 Insulation Resistance: 5000 MΩ Min.
 Temperature Range-Operating: -55°C ~ +105°C

THIRD ANGLE PROJECTION	GENERAL TOLERANCES (UNLESS SPECIFIED)		APPROVE BY FRANK	DATE 28/JUN/13	PART NO. FDM1501-FODB1XXXXX	ITEM NO. FDM1501-F0	 Leader Of Industry	
	X.±.012(0.30)	X:±5'	CHECKED BY JACOB	DATE 28/JUN/13	TITLE Machined pin D-SUB connector 90° Angle Female			
DESIGN UNITS Inch (metric)	X.X±.008(0.20)	.XX±2'	DRAWN BY CHERRY	DATE 28/JUN/13	THIS DRAWING CONTAINS INFORMATION THAT IS PROPRIETARY TO TXGA INDUSTRIAL ELECTRONICS(S.Z)CO.,LTD AND SHOULD NOT BE USED WITHOUT WRITTEN PERMISSION		REV 1	SHEET NO. 1/1
SCALE 5:1	SIZE A4	X.XX±.006(0.15)						
		X.XXX±.004(0.10)						

1 2 3 4 5 6 7 8

REV	LOCATIONS	DESCRIPTION	DATE	REVISER	APPD
1	△	Size change	20/JUL/22	MATT	CHERRY




Recommended P.C.Board Layout

Ordering Information

FDM 15 01 - FO D B 1 XX XX X B
 1 2 3 4 5 6 7 8 9 10 11

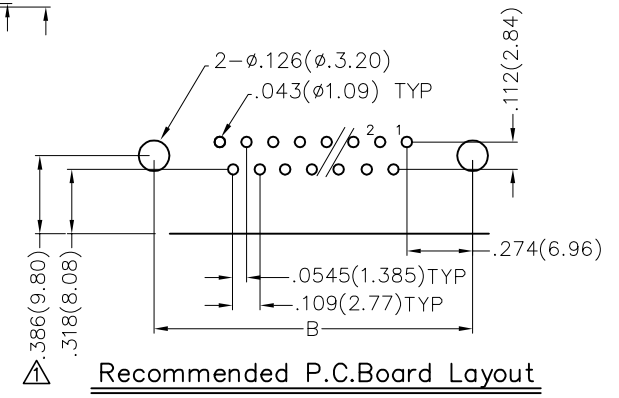
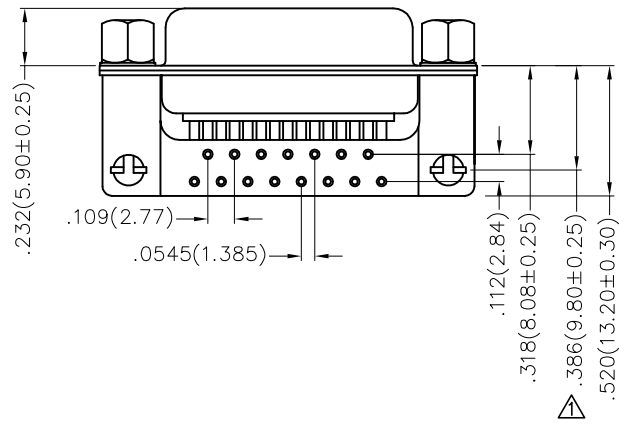
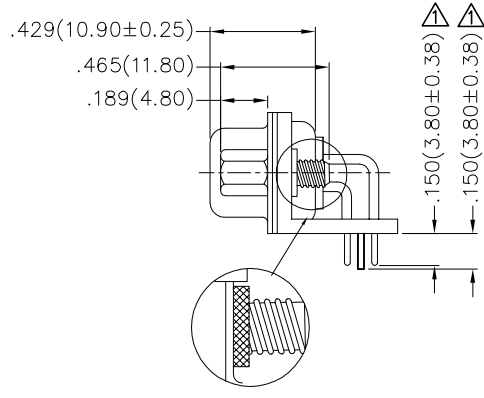
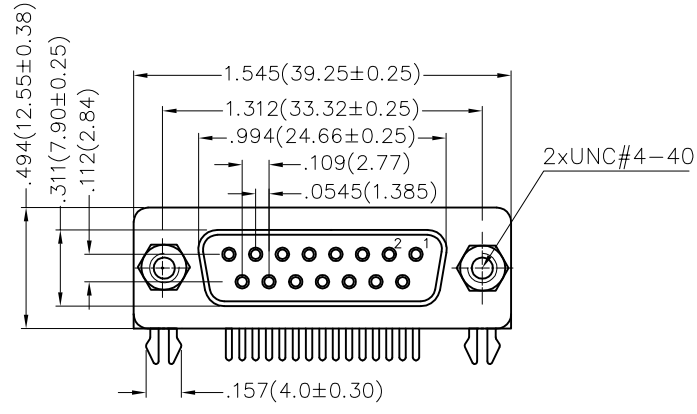
1 Category FDM-Machined pin D-SUB connector	2 Circuits 15	3 Distinction No. 01	4 Type FO-Female	5 Assembly Layout D-DIP	6 Entry Angle B-90° Angle
7 Plating 1-Gold Plated	8 Thickness of Plating 01-1μ" 03-3μ" Custom plate available	9 Color-Resin W1-White K6-Black	10 Packaging K-Tray L-Tube	11 Distinction Type B-B Type	

Materials And Finish
 Shell: Spcc Material, Front Nickel Plated 80μ" Min
 Back Shell Tin Plated 100μ" Min
 Insulator: Glass Filled Thermoplastic, UL 94V-0
 Contact Material: Brass /Gold Plated
 Electrical Characteristic
 Current Rating: 7.5A
 Voltage Rating: 300V
 Contact Resistance: 5mΩ Max
 Dielectric Withstanding Voltage :1000V AC r.m.s
 Insulation Resistance: 5000 MΩ Min.
 Temperature Range-Operating: -55°C ~ +105°C

THIRD ANGLE PROJECTION	GENERAL TOLERANCES (UNLESS SPECIFIED)		APPROVE BY FRANK	DATE 28/JUN/13	PART NO. FDM1501-FODB1XXXXXB	ITEM NO. FDM1501-F0	 Leader Of Industry
	X.±.012(0.30)	X:±5'	CHECKED BY JACOB	DATE 28/JUN/13	TITLE Machined pin D-SUB connector 90° Angle Female		
DESIGN UNITS Inch (metric)	X.X±.008(0.20)	.X'±2'	DRAWN BY CHERRY	DATE 28/JUN/13	THIS DRAWING CONTAINS INFORMATION THAT IS PROPRIETARY TO TXGA INDUSTRIAL ELECTRONICS(S.Z)CO.,LTD AND SHOULD NOT BE USED WITHOUT WRITTEN PERMISSION		REV 1
SCALE 5:1	SIZE A4	X.XX±.006(0.15)					SHEET NO. 1/1
		X.XXX±.004(0.10)					

1 2 3 4 5 6 7 8

REV	LOCATIONS	DESCRIPTION	DATE	REVISER	APPD
1	△	Size change	20/JUL/22	MATT	CHERRY



Ordering Information

FDM 15 01 - FO D B 1 XX XX X C
 1 2 3 4 5 6 7 8 9 10 11

1 Category FDM-Machined pin D-SUB connector	2 Circuits 15	3 Distinction No. 01	4 Type FO-Female	5 Assembly Layout D-DIP	6 Entry Angle B-90° Angle
7 Plating 1-Gold Plated	8 Thickness of Plating 01-1μ" 03-3μ" Custom plate available	9 Color-Resin W1-White K6-Black	10 Packaging K-Tray L-Tube	11 Distinction Type C-C Type	

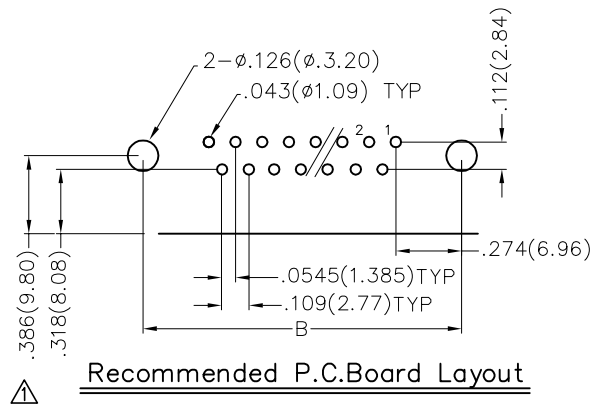
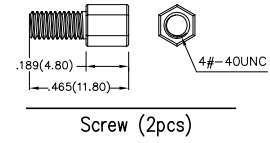
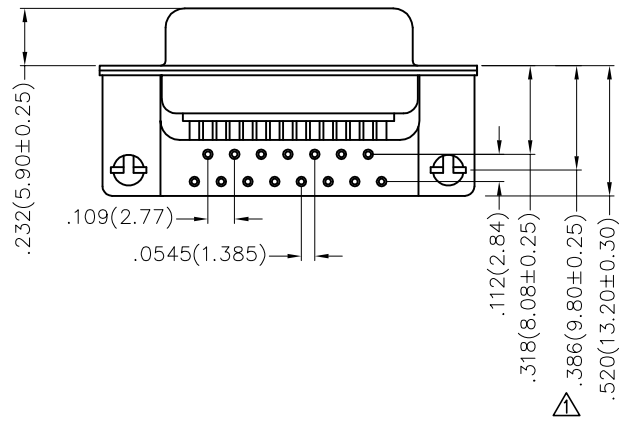
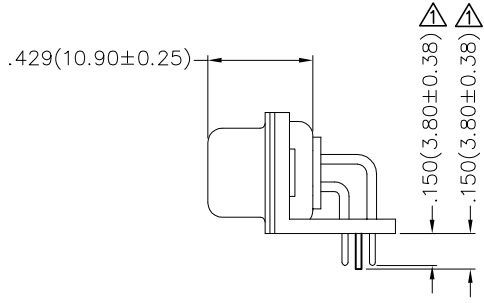
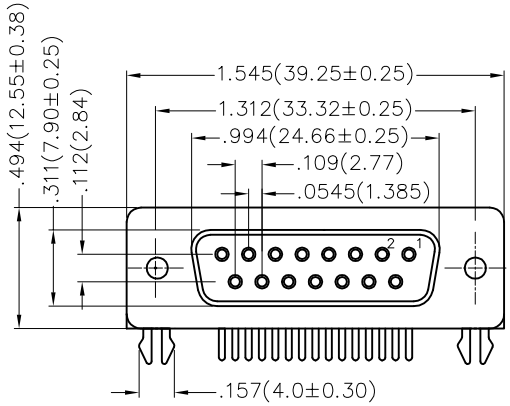
Materials And Finish
 Shell: Spcc Material, Front Nickel Plated 80μ" Min
 Back Shell Tin Plated 100μ" Min
 Insulator: Glass Filled Thermoplastic, UL 94V-0
 Contact Material: Brass /Gold Plated
Electrical Characteristic
 Current Rating: 7.5A
 Voltage Rating: 300V
 Contact Resistance: 5mΩ Max
 Dielectric Withstanding Voltage :1000V AC r.m.s
 Insulation Resistance: 5000 MΩ Min.
 Temperature Range-Operating: -55°C ~ +105°C

THIRD ANGLE PROJECTION	GENERAL TOLERANCES (UNLESS SPECIFIED)		APPROVE BY FRANK	DATE 28/JUN/13	PART NO. FDM1501-FODB1XXXXX	ITEM NO. FDM1501-FO	 Leader Of Industry
	DESIGN UNITS Inch (metric)	X.±.012(0.30) X.X±.008(0.20) X.XX±.006(0.15) X.XXX±.004(0.10)	X:±5" .X'±2" .XX'±1" .XXX'±0.5'	CHECKED BY JACOB	DATE 28/JUN/13	TITLE Machined pin D-SUB connector 90° Angle Female	
SCALE 5:1	SIZE A4		DRAWN BY CHERRY	DATE 28/JUN/13	THIS DRAWING CONTAINS INFORMATION THAT IS PROPRIETARY TO TXGA INDUSTRIAL ELECTRONICS(S.Z)CO.,LTD AND SHOULD NOT BE USED WITHOUT WRITTEN PERMISSION		

TXGA
 Leader Of Industry
 REV 1 SHEET NO. 1/1

1 2 3 4 5 6 7 8

REV	LOCATIONS	DESCRIPTION	DATE	REVISER	APPD
1	△	Size change	20/JUL/22	MATT	CHERRY




Recommended P.C.Board Layout

Ordering Information

FDM 15 01 - FO D B 1 XX XX X D
 1 2 3 4 5 6 7 8 9 10 11

1 Category FDM-Machined pin D-SUB connector	2 Circuits 15	3 Distinction No. 01	4 Type FO-Female	5 Assembly Layout D-DIP	6 Entry Angle B-90° Angle
7 Plating 1-Gold Plated	8 Thickness of Plating 01-1μ" 03-3μ" Custom plate available	9 Color-Resin W1-White K6-Black	10 Packaging K-Tray L-Tube	11 Distinction Type D-D Type	

Materials And Finish
 Shell: Spcc Material, Front Nickel Plated 80μ" Min
 Back Shell Tin Plated 100μ" Min
 Insulator: Glass Filled Thermoplastic, UL 94V-0
 Contact Material: Brass /Gold Plated
 Electrical Characteristic
 Current Rating: 7.5A
 Voltage Rating: 300V
 Contact Resistance: 5mΩ Max
 Dielectric Withstanding Voltage :1000V AC r.m.s
 Insulation Resistance: 5000 MΩ Min.
 Temperature Range-Operating: -55°C ~ +105°C

THIRD ANGLE PROJECTION	GENERAL TOLERANCES (UNLESS SPECIFIED)		APPROVE BY FRANK	DATE 28/JUN/13	PART NO. FDM1501-FODB1XXXXXD	ITEM NO. FDM1501-F0	 Leader Of Industry
	X.±.012(0.30)	X:±5°	CHECKED BY JACOB	DATE 28/JUN/13	TITLE Machined pin D-SUB connector 90° Angle Female		
DESIGN UNITS Inch (metric)	X.X±.008(0.20)	.X'±2'	DRAWN BY CHERRY	DATE 28/JUN/13	THIS DRAWING CONTAINS INFORMATION THAT IS PROPRIETARY TO TXGA INDUSTRIAL ELECTRONICS(S.Z)CO.,LTD AND SHOULD NOT BE USED WITHOUT WRITTEN PERMISSION		REV 1 SHEET NO. 1/1
SCALE 5:1	SIZE A4	X.XX±.006(0.15)					
		X.XXX±.004(0.10)					

1 2 3 4 5 6 7 8