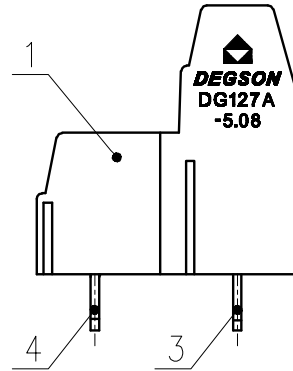
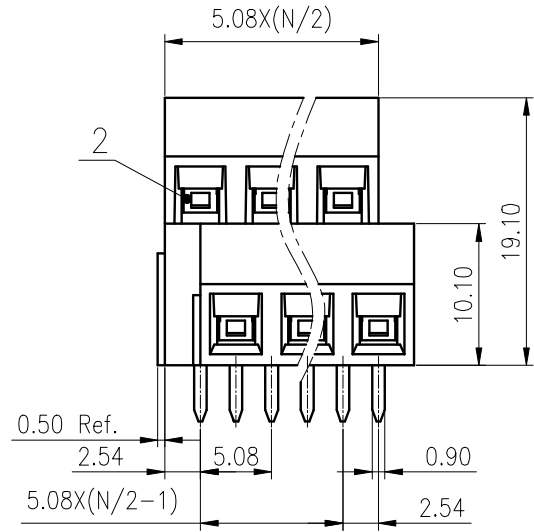
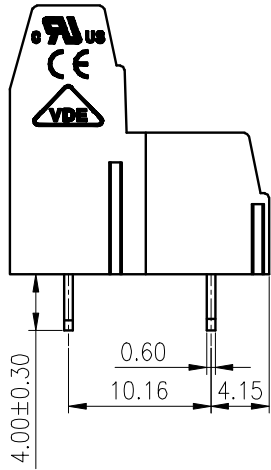
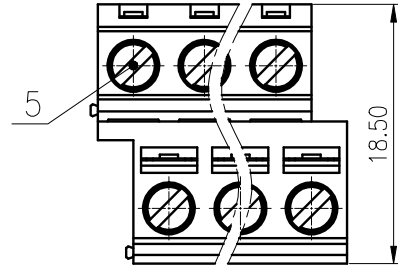
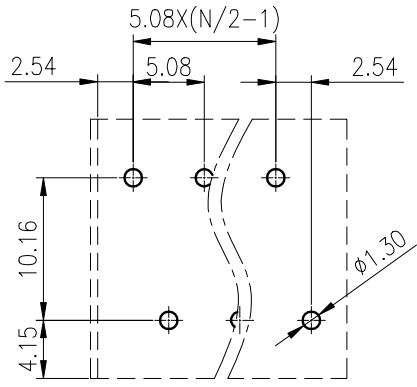


公差/General tolerances(mm)											0.1/10 ±2'		
0~3	>3~6	>6~10	>10~18	>18~30	>30~50	>50~80	>80~120	>120~180	>180~250	>250~315		>315~400	>400~500
±0.12	±0.18	±0.22	±0.26	±0.31	±0.37	±0.57	±0.80	±0.93	±1.05	±1.15	±1.60	±2.20	±2.50

PCB LAYOUT



ITEM	NAME OF PART	MATERIAL	NOTES
5	Screw	Steel	M3/Zn Plated
4	Pin Header 2	Copper Alloy	Sn Plated
3	Pin Header 1	Copper Alloy	Sn Plated
2	Cage	Copper Alloy	M3/Ni Plated
1	Housing	PA66	UL94V-0
UL 标准/UL Standard:		B	C
额定电压/Rated Voltage(V)/Current(A)		300/12	/ 300/10
IEC 标准/IEC Standard:			
过压类别/Overvoltage Category/污染等级/Pollution Degree		/	III/2
额定电压/Rated Voltage(V)/Current(A)		/	250/15
工频耐压/Withstanding Voltage(KV/min)		AC2000	
螺丝扭矩/Torque Tightening(N·m/Lb.in)		M3,0.5/4.43	
线径范围(硬线和软线)/Wire Range(rigid and flexible)(mm ² /AWG)		0.5~1.5/26~14	
间距/Pitch(mm)/线数范围/Poles		5.08/N=04~48P	
剥线长度/Stripping length(mm)		6~7	
使用温度范围/Operating temperature(°C)		-40~+105	
符合RoHS环保要求/Conform to RoHS		Yes	
标准颜色编号/Standard color number:		PANTONE / RAL	

MATERIAL: /	SURFACE: /		
MAT NO.: /	宁波高松电子有限公司 NINGBO DEGSON ELECTRICAL CO., LTD		
STATUS: /			
APPD: LiGL 2020.06.23	NAME: DG127A-5.08-XXP-1Y-1000A(H)		
CHKD: Mek 2020.06.23	DRAWING NO.: DG127A-5.08-C24		
DRFT: Jay.z 2017.08.12	REV	T1	
SIZE: A4	TYPE: CUSTOMER DRAWING	SCALE: 2:1	SHEET 1/1

REV	ECN	DESCRIPTION	DRFT	DATE

A

B

C

D

1

2

3

4

5

6