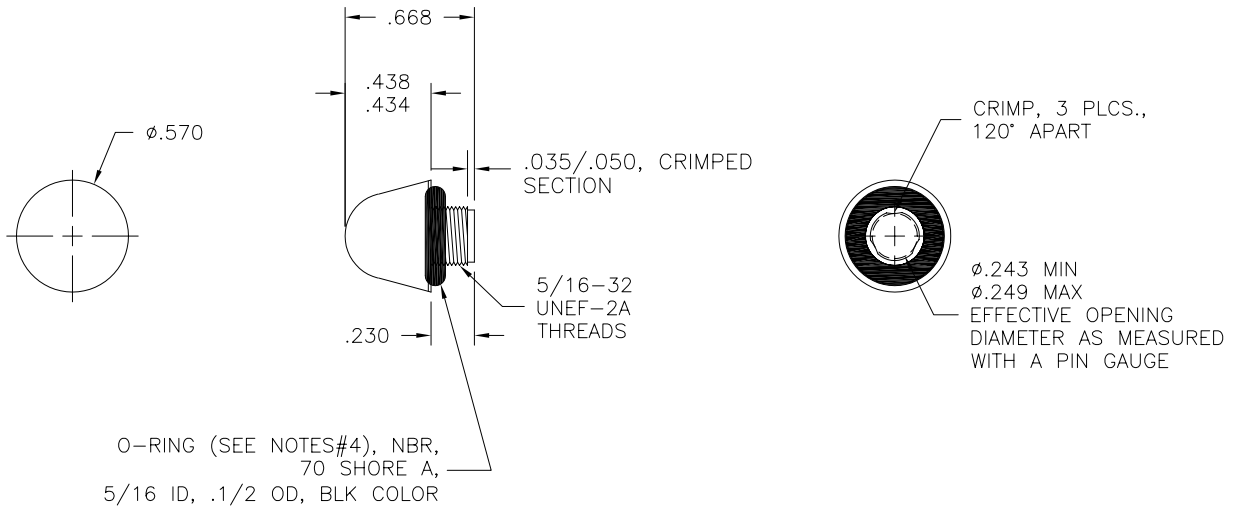


LTR	REVISION	DATE	APPD
L	110617-EE01: UPDATED O-RING NOTES AND ADDED NOTE#4	11-06-17	GP



NOTES:

1. LENS MEETS MIL SPEC MIL-L-3661.
2. LENS IS HIGH IMPACT POLYCARBONATE, MATERIAL:
 - a) (u)Y2200+ SERIES, UL94V-0 (IDEMITSU PETROCHEMICAL CO. LTD., JAPAN)
 - b) LEXAN 940A, UL94V-0 (SOURCE IN U.S.A & EUROPE)
3. FOR NON-CRIMPED VERSION, SEE CMLN0074
4. O-RING:
 - a) PARKER COMPONENT 2-109 N1470-70 (SOURCE IN ZATKOFF)
 - b) GENERAL PURPOSE NON-CONDUCTIVE NITRILE RUBBER (NBR)



COLOR CHART	
PART NO.	LENS CAP COLOR
LENS-LCD470W-CA	CLEAR AMBER
LENS-LCD470W-CG	CLEAR GREEN
LENS-LCD470W-CR	CLEAR RED
LENS-LCD470W-CW	WATERCLEAR
LENS-LCD470W-CY	CLEAR YELLOW
LENS-LCD470W-DA	DIFFUSED AMBER
LENS-LCD470W-DG	DIFFUSED GREEN
LENS-LCD470W-DR	DIFFUSED RED
LENS-LCD470W-DW	DIFFUSED WHITE
LENS-LCD470W-TW	CLOUDY CLEAR

REVISION NOTIFICATION
<input type="checkbox"/> DLC
<input type="checkbox"/> UL/ETL
<input type="checkbox"/> MADE IN USA
<input type="checkbox"/> CUSTOMER _____
<input type="checkbox"/> OTHER
REDLINE CHECKLIST
<input type="checkbox"/> REDLINE(YES)
<input type="checkbox"/> DATE: _____
<input type="checkbox"/> INITIATED BY: _____
<input type="checkbox"/> ECR REQUIRED YES <input type="checkbox"/> NO <input type="checkbox"/>
<input type="checkbox"/> WORK ORDER# _____



-PROPRIETARY-
 This document contains Proprietary information of LEDTRONICS, INC. It may not be copied, used or disclosed for any purpose without the prior express written consent of LEDTRONICS, INC.

.XXX ± .010 TOLERANCE PER ANSI-Y14.5
 .XX ± .025 (UNLESS OTHERWISE STATED)
 ANGLES ± 0°,30'
 FRACT. ± 1/32

TITLE LENS-LCD470W-XX					
DWG NO CMLN0030	SCALE 1:1	SHEET 1 OF 1	DATE 12-30-96		
CODE IDENT NO. 8Z410	DWG BY DCT 12-30-96	CHK BY	QA EE 11-06-17	MFG LD 11-06-17	R&D KS 11-06-17