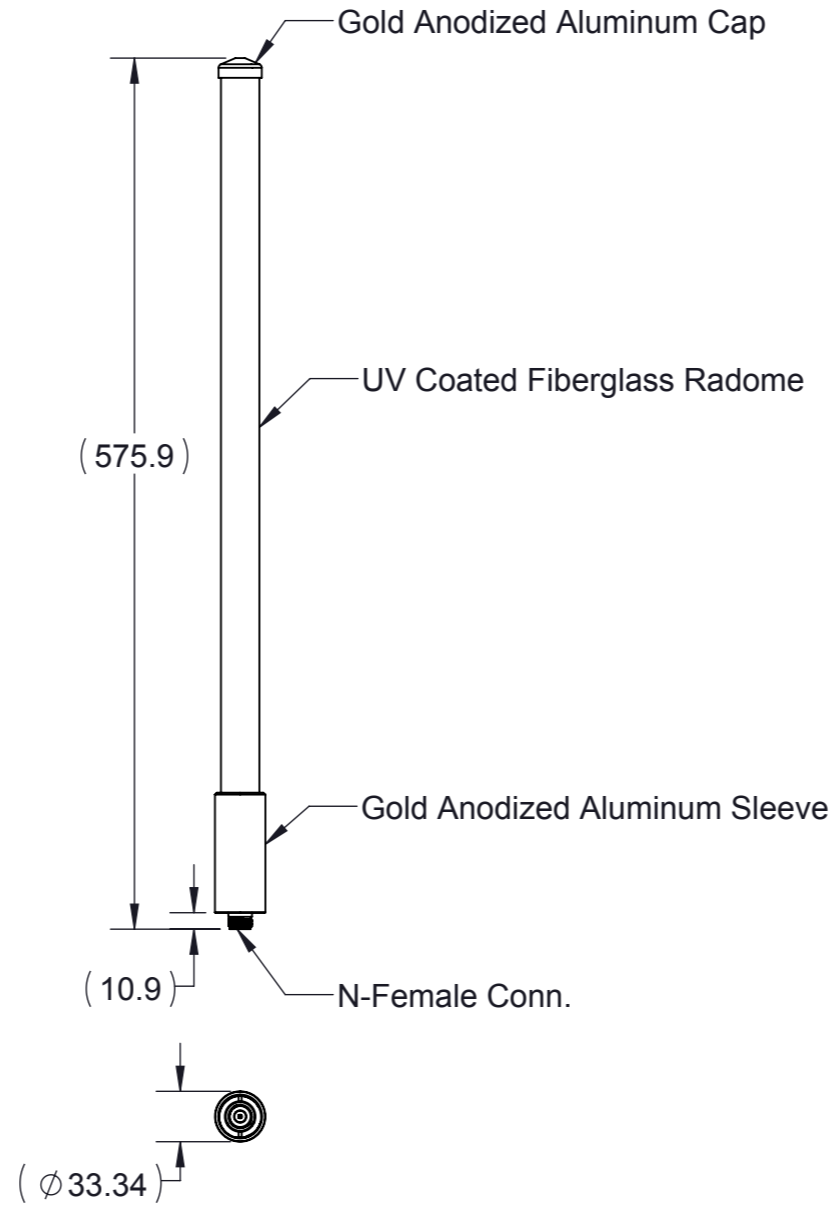




REVISIONS					
REV.	ECN#	ZONE	DESCRIPTION	CHANGED BY/DATE	APPROVED BY/DATE
F01	ECN-IAS-04274	ALL	INITIAL CREATION	A.MASCORRO 24JUN15	S.SAFVI 24JUN15

PARAMETER	PERFORMANCE
MODEL NUMBER	FG9023
FREQUENCY	902 - 928 MHz
GAIN	5 dBi
POLARIZATION	VERTICAL
RADIATION PATTERN	OMNI-DIRECTIONAL
VSWR	<2.0
POWER RATING	100 WATTS
HEIGHT	~576
WEIGHT	395 g.
OUTDOOR RATED	YES
OPERATING TEMP	-31°F to +176°F -35°C to +80°C



MATERIAL: N/A		THIRD ANGLE PROJECTION			
FINISH: N/A					
APPROVALS		DATE		TITLE:	
DRAWN BY	A.MASCORRO	24JUN15		FG9023	
ELEC. ENG.	A.MASCORRO	24JUN15			
MECH. ENG.	S.SAFVI	24JUN15		DWG. NO.	
MFG./OPS.				FG9023MO	
				SIZE	REV
				A3	F01
				SCALE: 1:5	PREVIOUS#
				SHEET 1 OF 1	

THIS DRAWING IS UNPUBLISHED.	RELEASED FOR PUBLICATION - , -
© Copyright 2022 TE Connectivity Ltd.	ALL RIGHTS RESERVED.