


Relay specification	No shunt application
90A 250VAC DC 12V	

Marking(Up cover)

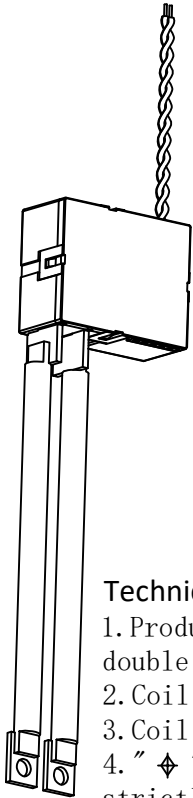
**GOLDEN**

90A  
250VAC  
COIL:  
12VDC  
ZC88N-1B-12SMWFTY



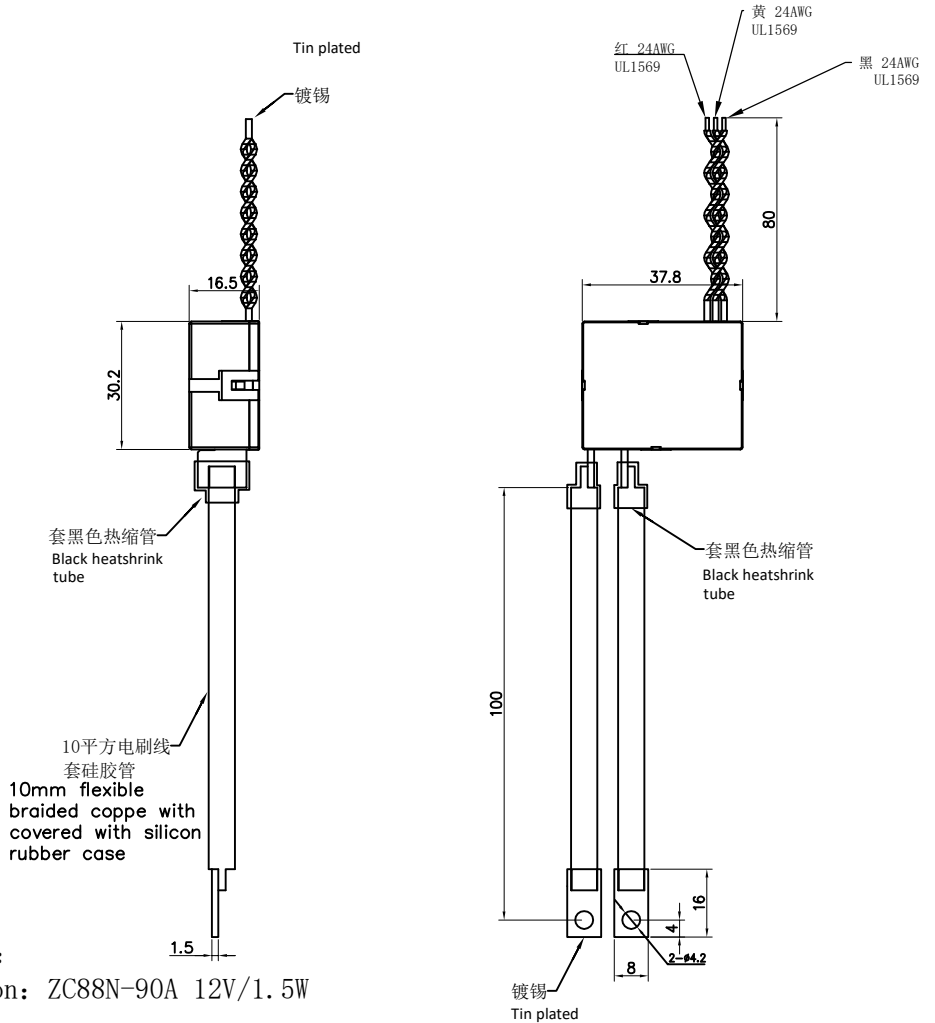
QR code info:

1. Brand: GOLDEN
2. Part number: ZC88N-90A-12V
3. Production date: 20230727

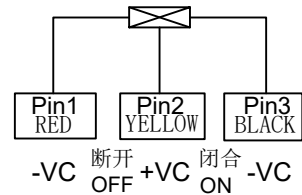


Technical requirements:

1. Product specification: ZC88N-90A 12V/1.5W double coil;
2. Coil wire connecting see the image below;
3. Coil resistance:  $96\Omega \pm 5\%$
4. "◆" marked is key dimension, which need strictly control;
5. Product contact keep close when shipping out.



Relay coil operating diagram



				Enterprise secrets copying prohibited		Golden relay						
				Spec	ZC88N-90A-12V single coil-1.5W	Name	Magnetic latching relay					
				Model	ZC88N-1B-12LMFTY-001		File No.					
Size tolerance $\pm 0.2$ Angel tolerance $\pm 1^\circ$				Designer	陈禄生	Checker						
							PN					
Date	2023.10.13			Date				Unit:MM	Ratio	1:1	QTY	1
								Version	V1.2	Page	1/1	