

6

5

4

3

2

1

THIS DRAWING IS UNPUBLISHED.	RELEASED FOR PUBLICATION	- , - .
© Copyright 2022 TE Connectivity Ltd.		ALL RIGHTS RESERVED.

REVISIONS					
REV.	ECR#	ZONE	DESCRIPTION	CHANGED BY/DATE	APPROVED BY/DATE
AA			INITIAL RELEASE	K.S. 10-17-08	K.S. 10-17-08

D

D

C

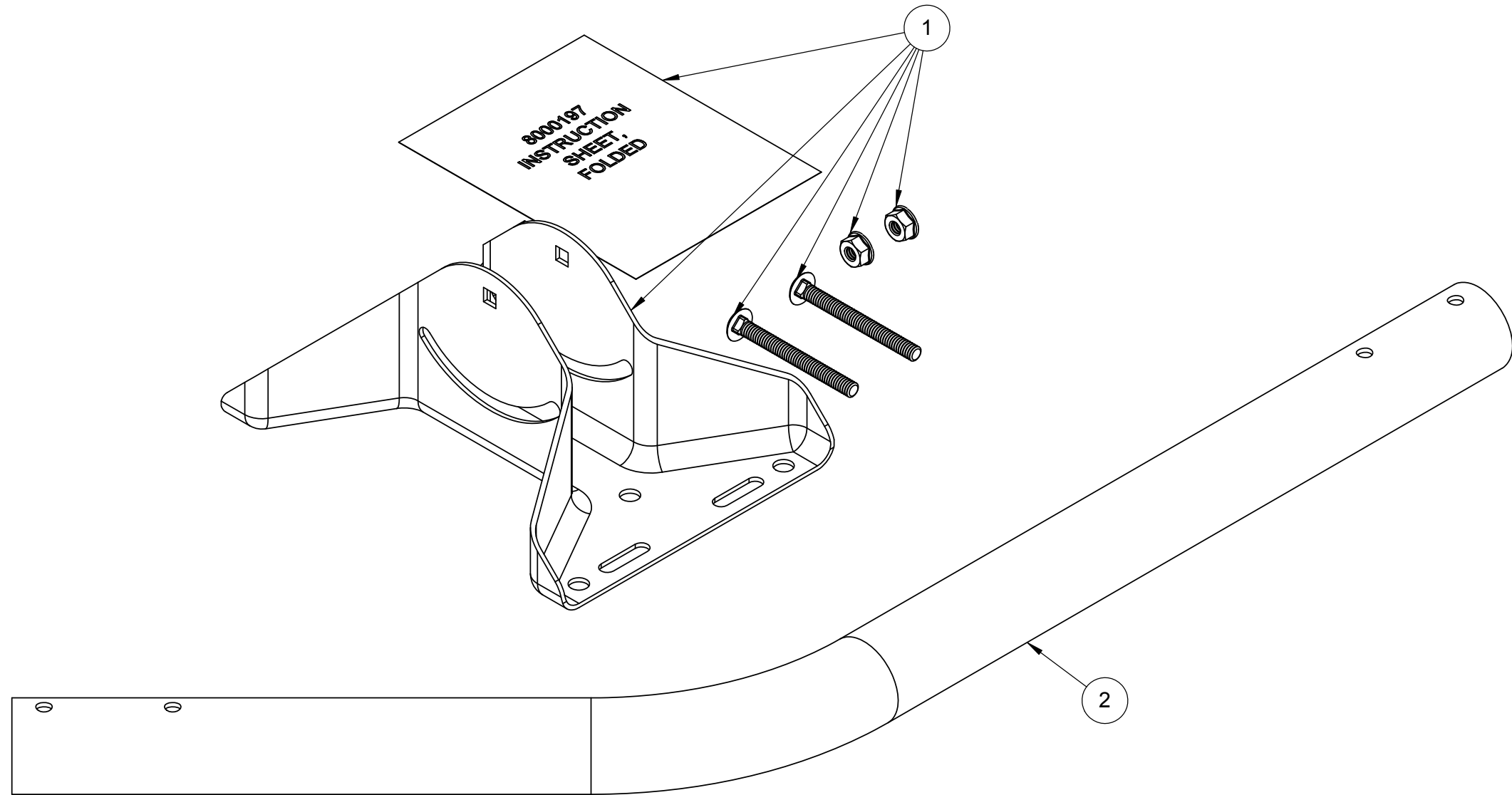
C

B


B

A

A



2	PAWUML5600341	TUBE, MOUNTING, LONG	1
1	PAWUM5600339	BRACKET, WALL/POLE, MOUNT, 90 DEG. TILT, KIT	1
ITEM NO.	PART NUMBER	DESCRIPTION	QTY.

MATERIAL: N/A		THIRD ANGLE PROJECTION			
FINISH: N/A		DO NOT SCALE DRAWING			
APPROVALS		DATE	TITLE:  <h1 style="text-align: center;">UML</h1>		
DRAWN BY	K. SEARL	10-17-08			
PROJ. ENG.	T. PETROPOULOS	10-29-08			
APPL. MECH.	T. PETROPOULOS	10-29-08			
MFG.	I. CHICKLIS	10-29-08	DIMENSIONS ARE IN MILLIMETERS ANGLE: ±30° 0 PLACE DECIMAL: ±0.5 1 PLACE DECIMAL: ±0.25 2 PLACE DECIMAL: ±0.13 SURFACE ROUGHNESS 1.6/√		
			SIZE <b>A3</b>	DWG. NO. <b>UMLMO</b>	REV <b>AA</b>
			SCALE: 1:2	PREVIOUS#	SHEET 1 OF 1

6

5

4

3

2

1