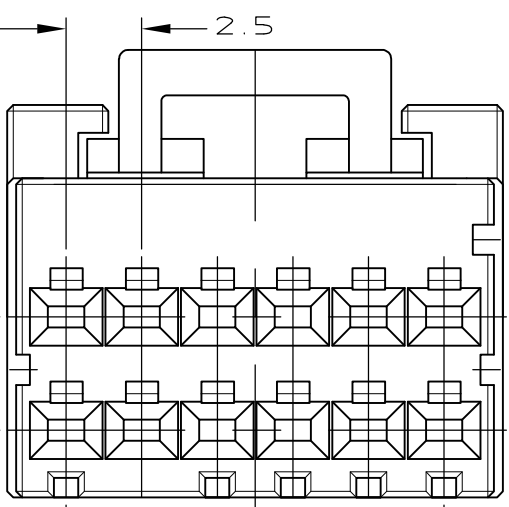
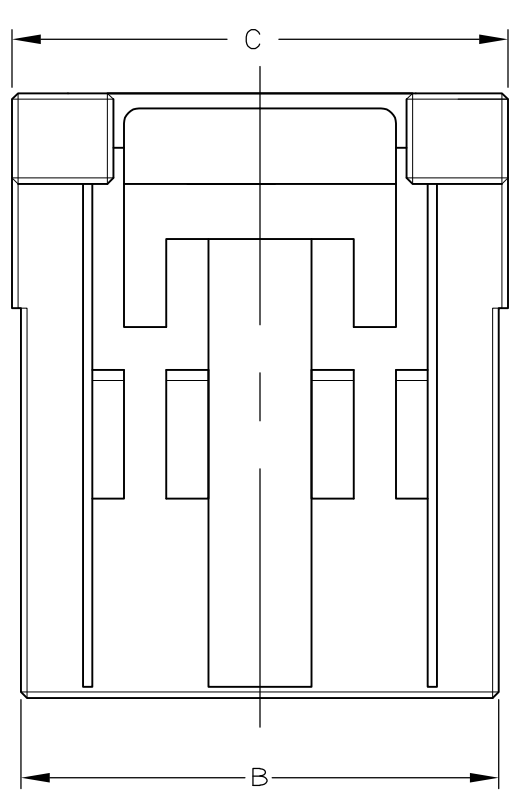
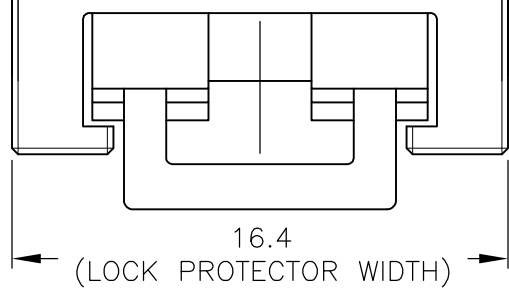
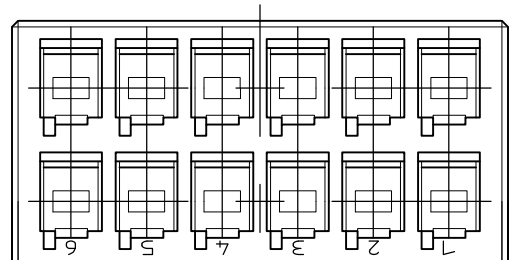


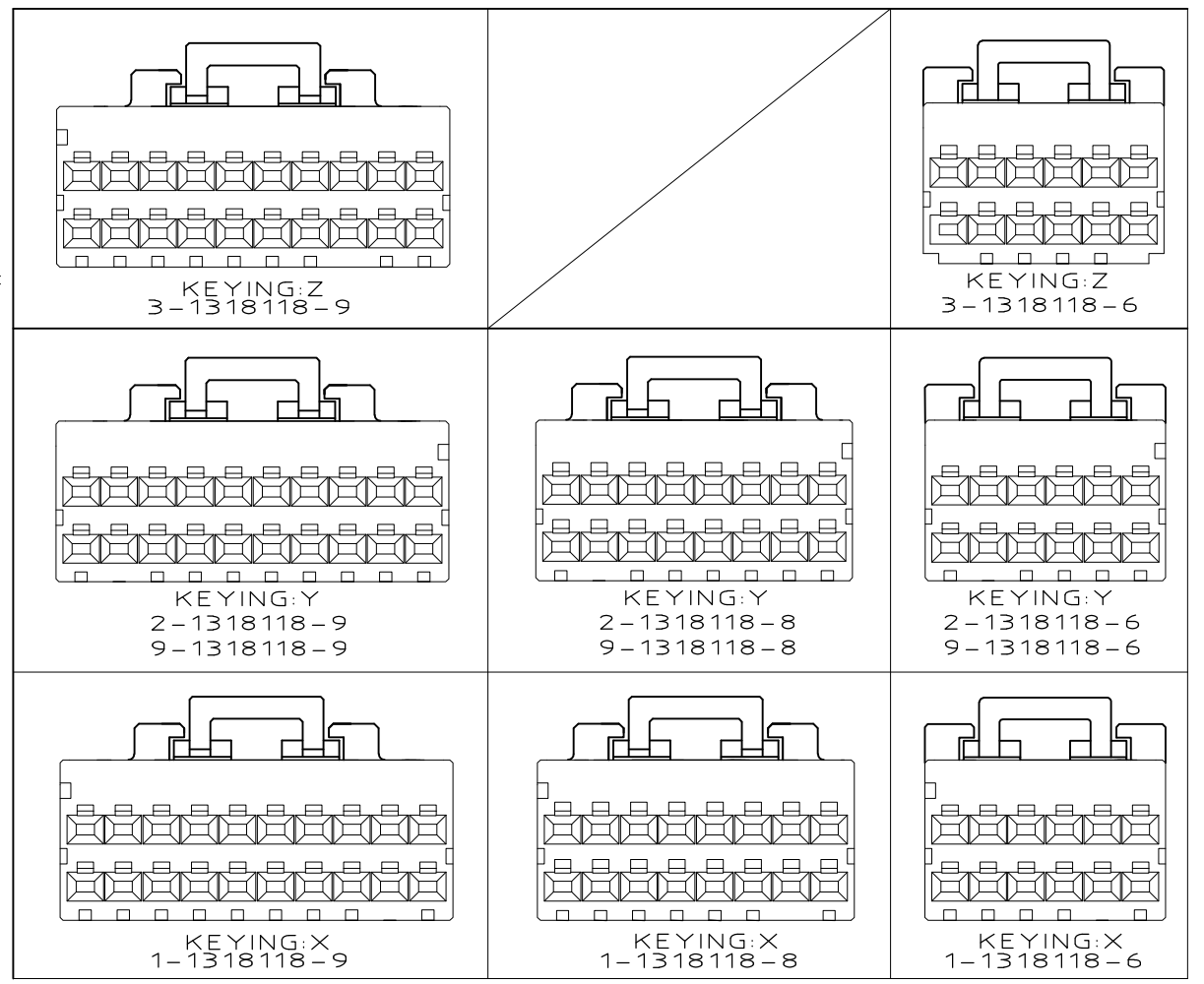
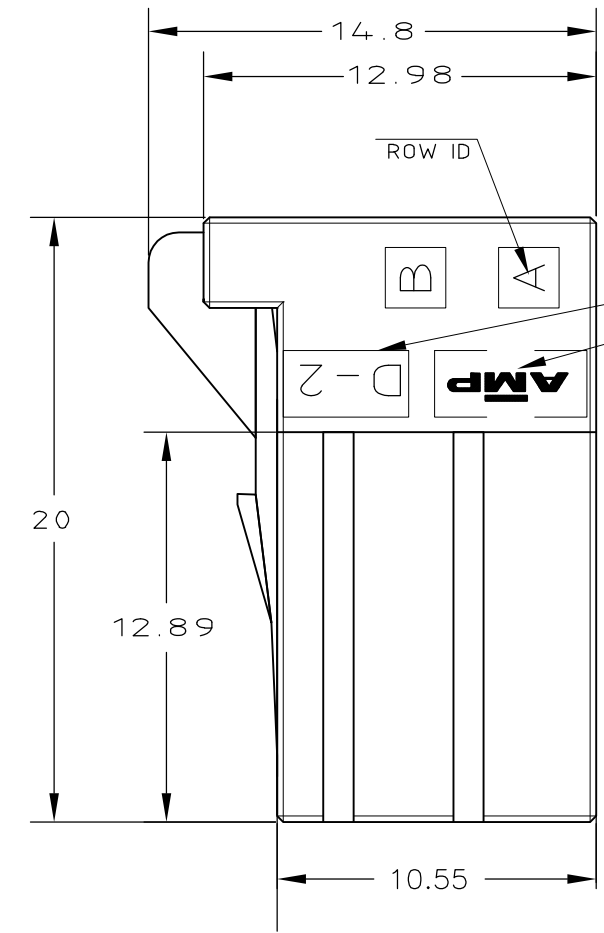
THIS DRAWING IS UNPUBLISHED. RELEASED FOR PUBLICATION
 © COPYRIGHT - By Tyco Electronics Japan G.K. ALL RIGHTS RESERVED.

LOC	DIST	REVISIONS				
P	LTR	DESCRIPTION	DATE	DWN	APVD	
J	-	H	REVISED	17APR2015	H.O	N.Y



KEY LOCATION VIEW
 2-1318118-6
 9-1318118-6
 (KEYING Y)

NOTES
 1 MATERIAL:HOUSING:GLASS FILED THERMO PLASTIC ,POLYESTER(94V-0), COLOR:1-/2-/3- : BLACK : 9- : NATURAL
 2 TO COAT ALL SURFACE OF HOUSING WITH TEFLON
 3. APPEARANCE CRITERIA IS BASED ON TE CRITERIA.



FINISH	NET WEIGHT(g)	C	B	A	N	POS	PART NUMBER
-	5.58	26.4	25.8	22.5	9	20	3-1318118-9
OBSOLETE	5.58	26.4	25.8	22.5	9	20	5-1318118-9
-	5.58	26.4	25.8	22.5	9	20	9-1318118-9 2-1318118-9
-	5.58	26.4	25.8	22.5	9	20	1-1318118-9
-	4.69	21.4	20.8	17.5	7	16	9-1318118-8 2-1318118-8
OBSOLETE	4.69	21.4	20.8	17.5	7	16	1-1318118-8
-	3.8	16.4	15.8	12.5	5	12	5-1318118-6
-	3.8	16.4	15.8	12.5	5	12	3-1318118-6
-	3.8	16.4	15.8	12.5	5	12	9-1318118-6 2-1318118-6
-	3.8	16.4	15.8	12.5	5	12	1-1318118-6

THIS DRAWING IS A CONTROLLED DOCUMENT.

DWN K.IKEDA 07DEC1998
 CHK N.MATSUBARA 07DEC1998
 APVD I.HASEGAWA 07DEC1998

NAME: I.HASEGAWA

PRODUCT SPEC: 108-5619

APPLICATION SPEC: 114-5258

WEIGHT: [Blank]

CUSTOMER DRAWING

STE TE Connectivity

DOUBLE ROW REC HSG
 DYNAMIC D-2100D

SIZE: A3 CAGE CODE: 00779 DRAWING NO: C-1318118 RESTRICTED TO: [Blank]

SCALE: 4:1 SHEET: 1 OF 1 REV: H

Mouser Electronics

Authorized Distributor

Click to View Pricing, Inventory, Delivery & Lifecycle Information:

[TE Connectivity:](#)

[1-1318118-6](#)