



REV.	ECN NO.	REVISED	DATE

NOTE:

- 1.MATERIAL:
 a.HOUSING:PP RESIN BLACK
 b.CONTACT:BRASS
 (SURFACE PLATING: NI100u"~120u")
 SEE ORDERING INFORMATION

- 2.ELECTRIC:
 a.CONTACT RESISTANCE: 30 MILLIOHMS MAX
 b.INSULATION RESISTANCE: 1000 MEGA OHMS MIN
 c.DIELECTNIC VOLTAGE: 500V AC ONE SEC LEVEL
 d.OPERATING TEMPERATURE: -10° C~ +80° C

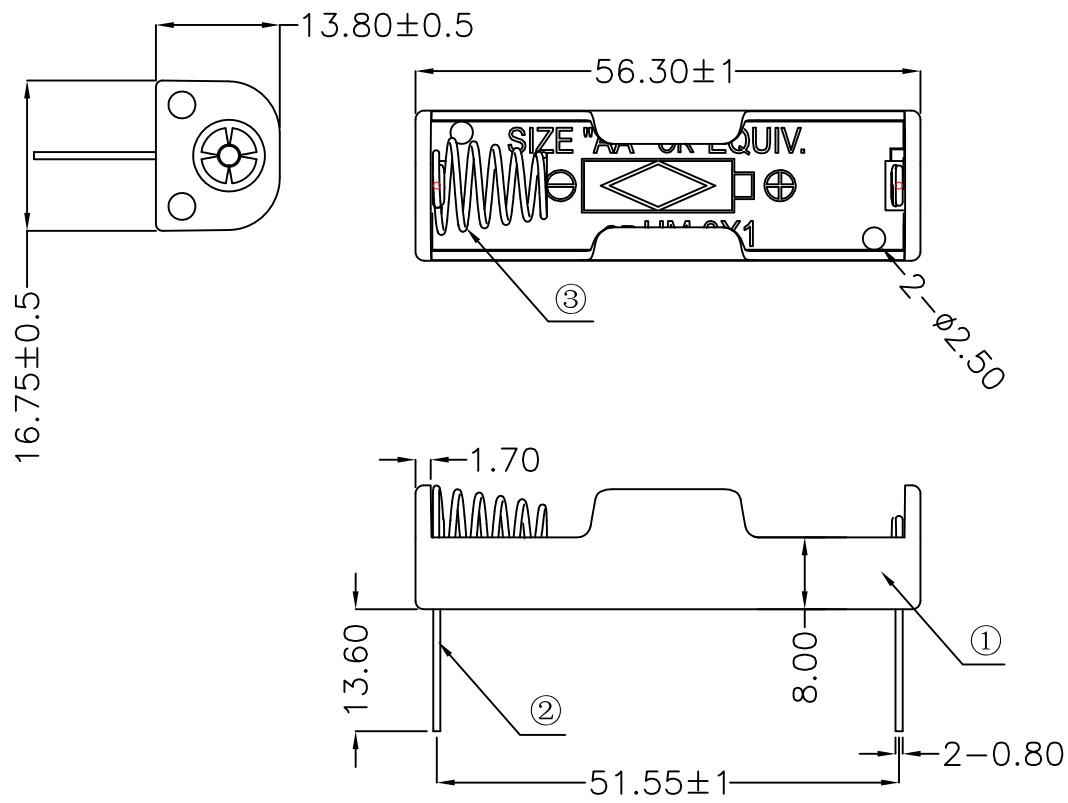
ORDERING INFORMATION

BH-AA-A*020**

电池盒 ——— PLATING:
 A-Au1U"
 J-Ni100U"~120U"
 K-Sn100U"~120U"

电池型号 ———

DIP 90° TYPE ——— MATERIAL:
 1A-PP BLACK
 1B-PA66 BLACK
 2A-PPA BROWN
 2B-PPA BLACK
 3A-PPS BROWN
 3B-PPS BLACK
 4A-LCP WHITE
 4B-LCP BLACK
 5A-PA9T BLACK



3	SPRING	1	65C SPRING WIRE, Ø0.65MM	Ni-Plating
2	TERMINAL	2	BRASS, Ø0.8MM	Ni-Plating
1	HOUSING	1	PP Resin	BLACK
NO.	PART NAME	Q'TY	MATERIAL	PLATING & COLOR

UNLESS OTHERWISE SPECIFIED TOLERANCES		MYOUNG 美阳 www.meiyangdz.com	
DECIMALS: X :±0.30 X.X :±0.25 X.XX :±0.20 X.XXX :±0.10	ANGLES: X :±1° X.X :±0.5°	DSND YangFeng	DATE 2021-07-03
WEIGHT:		CHKD ZhouRuicai	DATE 2021-07-03
SHEET 1 OF 1		APVD XueShunyong	DATE 2021-07-03
SCALE:	SIZE: A4	VIEW:	TITLE: 电池盒BH-AA-1J 长脚DIP
UNIT: mm	REV.: A/1	OBJECT: MY	PART NO.: BH-AA-A1AJ020
			DRAW NO.:WD-CP-0155