



Small Package, High Performance, Asynchronous Boost For 10 WLED Driver ME2212

General Description:

The **ME2212** is a high frequency, asynchronous boost converter. The internal MOSFET can support up to 10 White LEDs for backlighting and OLED power application, and the internal soft start function can reduce the inrush current. The device operates with 1-MHz fixed switching frequency to allow small external components and to simplify possible EMI problems. Moreover, the IC comes with 46V over voltage protection to allow inexpensive and small-output capacitors with lower voltage ratings. The LED current is initially set with the external sense resistor R_s .

Features:

- VIN Operating Range : 2.5V to 5.5V
- Internal Power N-MOSFET Switch
- Wide Range for PWM Dimming (100Hz to 200kHz)
- 1MHz Switching Frequency
- Minimize the External Component Counts
- Internal Soft Start
- Internal Compensation
- Under Voltage Protection
- Over Voltage Protection
- Over Temperature Protection

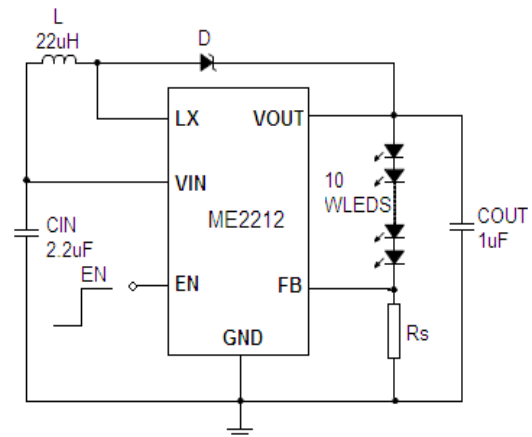
Applications:

- Cellular Phones
- Digital still cameras
- PDAs and Smart Phones and MP3 and OLED.
- Probable Instruments

R_s Resistor Value Selection:

TYP. (Ω)	I_{LED} (mA)
10	20

Typical Application:



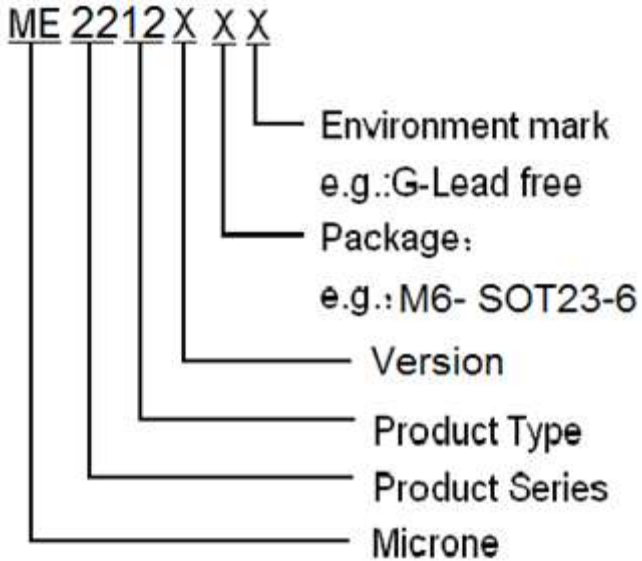
$$I_{LED} = 20\text{mA}, \quad R_s = 10\Omega$$



ME2212

Selection Guide:

Pin Configuration & Marking Information:



Pin information:

Pin Number	Name	Function
1	LX	Switch
2	GND	Ground
3	FB	Feedback
4	EN	Chip Enable
5	VOUT	Output
6	VIN	Input

Absolute Maximum Ratings:

Parameter	Symbol	Ratings	Units
Input Voltage	V_{IN}	-0.3V~6V	V
LX Pin Voltage	LX	-0.3V~6V	V
FB Pin Voltage	FB	-0.3V~6V	V
Operating Temperature Range	T_{OPR}	-40°C~85°C	°C
Storage Temperature Range	T_{STG}	-65°C~125°C	°C
Lead Temperature (Soldering, 10 sec)	T_L	260°C	°C
Internal Power Dissipation (SOT23-6)	P_D	400	mW



ME2212

Electrical Characteristic

T=25°C, $V_{IN}=V_{EN}=3.7V$, L=22uH, $C_{in}=2.2\ \mu F$, $C_{out}=1\ \mu F$, unless otherwise noted.

Parameter	Symbol	Condition	Min	Typ	Max	Unit
Input Voltage Range	V_{IN}	可提供技术支持 完整规格书	2.5	3.7	5.5	V
Under Voltage Lock Out	V_{UVLO}	欢迎试样 V: runzexin-18	2	2.2	2.45	V
UVLO Hysteresis				0.1		V
Supply Current	ISS	No external Component		0.8	1.5	mA
Shutdown Current	I_{SHDN}	No external Component $V_{EN}=0V$	1	3	5	μA
Oscillator Frequency	F_{OSC}		0.85	1.1	1.5	MHz
Maximum Duty Cycle			90	92		%
Feedback Voltage	V_{FB}		190	200	210	mV
On Resistance	$R_{DS(ON)}$			0.7	1.2	Ω
EN Threshold	Logic-High Voltage	V_{IH}	1.6			V
	Logic-Low Voltage	V_{IL}			0.9	V
Over-Voltage Threshold	V_{OCP}		42	46	50	V
Over-Current Threshold	I_{OCP}		1	1.2		A
Efficiency	η	$I_{LED}=20mA$		85		%
Over Temperature Shutdown	OTS			150		$^{\circ}C$



ME2212

Function Block Diagram:

