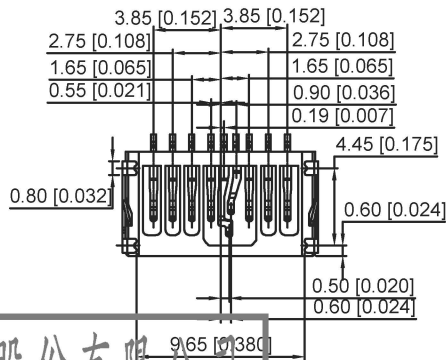
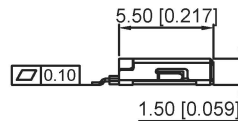
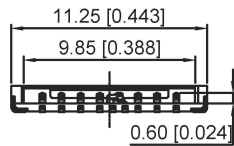
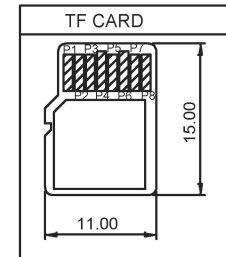


RECOMMENDED PCB LAYOUT
TOL:(±0.05)



P8	DAT1
P7	DAT0
P6	VSS
P5	CLK
G1	SWITCH
P4	VDD
P3	CMD
P2	CD/DAT3
P1	DAT2
PIN NUMBER	PIN NUMBER

NOTE:
1.ELECTRICAL
1-1.CONTACT RESISTANCE:
80 milliohms MAX.
1-2.INSULATION RESISTANCE:
1,000 Megohms MIN.
1-3.DIELECTRIC WITHSTANDING
VOLTAGE: 500V AC
FOR 1 MINUTE.
2.RoHS 2002/95/EC COMPLIANT.

③	Shell	1	SUS	
②	Terminal	9	COPPER ALLOY	
①	Housing	1	HI-TEMP.PLASIC UL 94V-0	BLACK
ITEM	PAPT NAMF	QTY	MATERIAL	FINISHING

广东星坤科技股份有限公司

生效日期

MARK	DESCRIPTION	DATE	REVISED	APPROVED	UNSPECIFIED TOLERANCES

文件工程章

REVISIONS
www.helloxb.com www.helloxb.com www.helloxb.com

ANGLAR	±5°
L ≤ 4	±0.2
4 < L ≤ 16	±0.3
16 < L ≤ 63	±0.4
L > 63	±0.5

DSND	DATE	SCALE: N/A	MODEL TYPE: TF CARD CONN
DWN	DATE	VIEW:	PART NO.:
CHKD	DATE	UNIT: mm/in	DWG NO.:
APPD	DATE	SIZE: A4	XKTF-0803-0
XKB INDUSTRIAL PRECISION CO., LIMITED			WEIGHT 1.0g
			SHEET 1/1
			REVISION A0