

SPECIFICATION FOR APPROVAL



产品承认书

CUSTOMER: _____

CUSTOMER NO. : _____

HSW PART NO. :

HSW-M2006SI 工业级

DESCRIPTION:

10 BASE-T SINGLE PORT SMD TRANSFORMER
MODULE

ATTACHMENT:

■ SPECIFICATION

■ SAMPLE

Q'TY OF SAMPLES _____

PCS

CUSTOMER APPROVAL

(客户承认章)

HSW APPROVAL

(公司承认章)

SALES BY:

SALES BY:

张静

QA DEPT. :

CHECKED BY:

刘君

ENG. DEPT.:

APPROVAL BY:

贺江

深圳市华升微电子有限公司

PLEASE REPLY THIS SHEET TO US AFTER SIGNATURE(请签字后回传本页)



10 BASE-T SINGLE PORT SMD TRANSFORMER MODULE

- Meets IEEE 802.3 and ANSIX3.263 standards
- RoHS Compliant
- 10 Base-T, Surface Mount Type, Open Header .
- Operating temperature range: -40°C to +125°C
- Storage temperature range: -50°C to +125°C

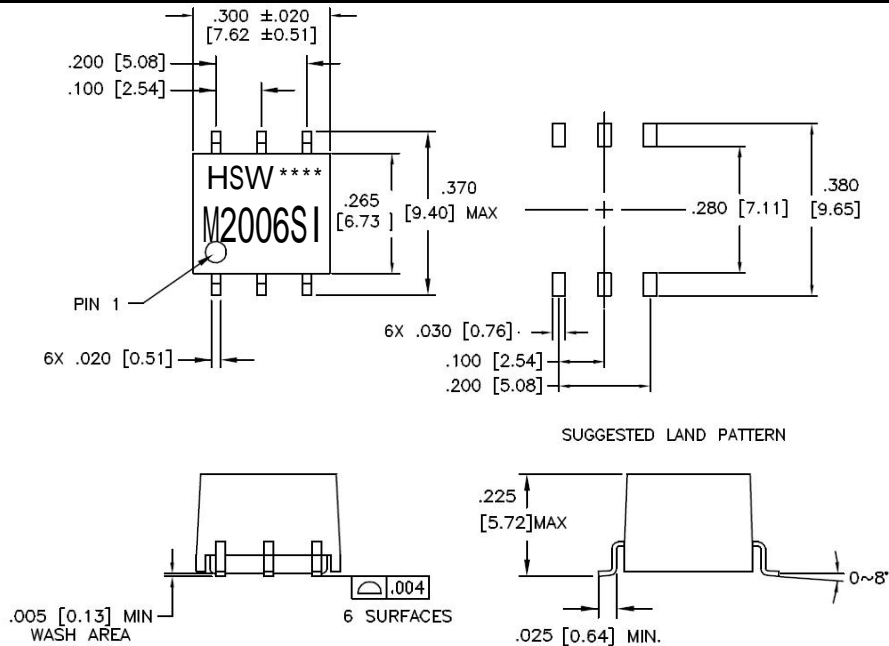
Electrical Specifications @25°C

Part Number	OCL(uH min) @100KHz/0.1V	Turns Ratio	CMRR(dB min)		HI-POT
		(±5%)	1-10MHz	10-1000MHz	(V DC)
HSW-M2006SI	150-450	1CT:1CT	-35	-20	4300

continue

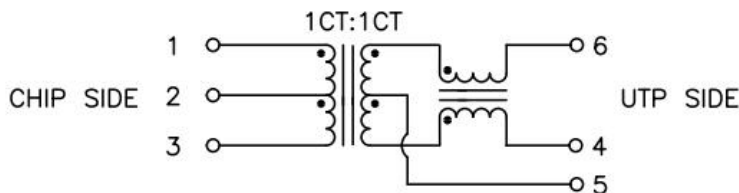
Part Number	Insertion Loss	Return Loss	IR
	(dB max)	(dB min)	400MEGAOHMS MINIMUM
	4MHz	4MHz	
HSW-M2006SI	0.25	20	

MECHANICAL



SCHEMATIC

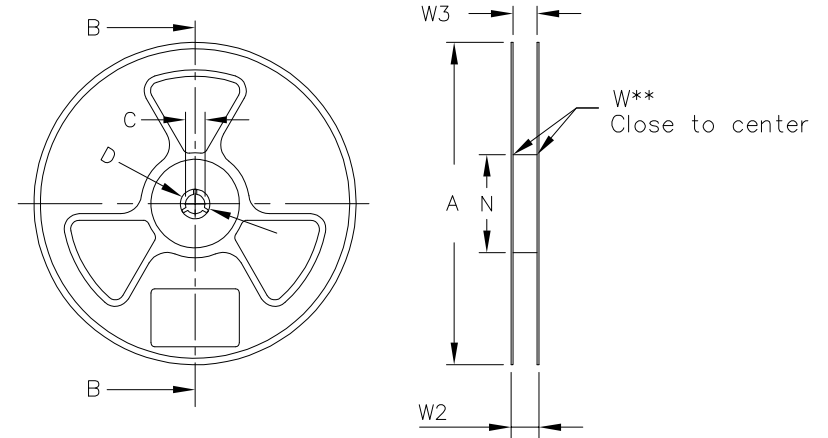
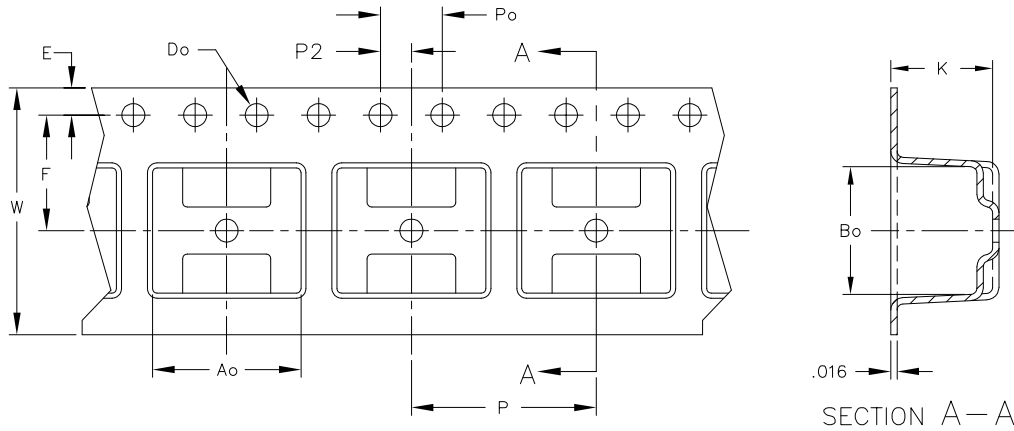
Unless otherwise specified all tolerances are: ± 0.25





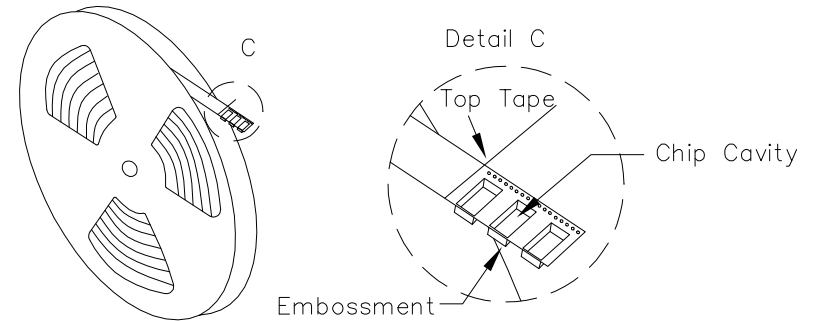
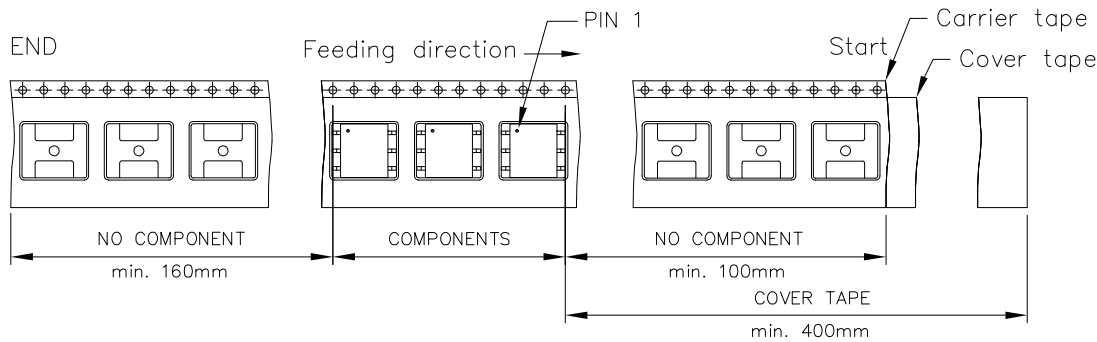
深圳市华升微电子有限公司

USER DIRECTION OF FEED →



ITEM	W	P	A ₀	B ₀	K	T	C	D ₀	E	F	P ₀
DIM	16	12	9.65	8.28	6.6	0.40		1.5	1.75	7.5	4.0

	A	B	C	D	N	W1	W2	W3	W3	
Tolerance		min.	±0.8	min.	min.	+2.0	max.	min.	max.	
Tape width	mm	330.00	1.50	13.00	20.20	100.00	16.4	18.4	16.4	18.39



ALL DIMENSIONS ARE IN MILLIMETERS WITH THE FOLLOWING TOLERANCES: ±0.10

ONE ROLL:700pcs

PRODUCT DESCRIPTION	TLA DRAWING	PS DRAWING	SHEET	PART NO.	DATASHEET REV.
10 BASE-T SINGLE PORT SMD TRANSFORMER MODULE			3 OF 3	HSW-M2006SI	V3